

TECHNICAL & SERVICE MANUAL

SAP-KRV94EHDX + SAP-CRV94EHDX
SAP-KRV124EHDX + SAP-CRV124EHDX

FILE NO.

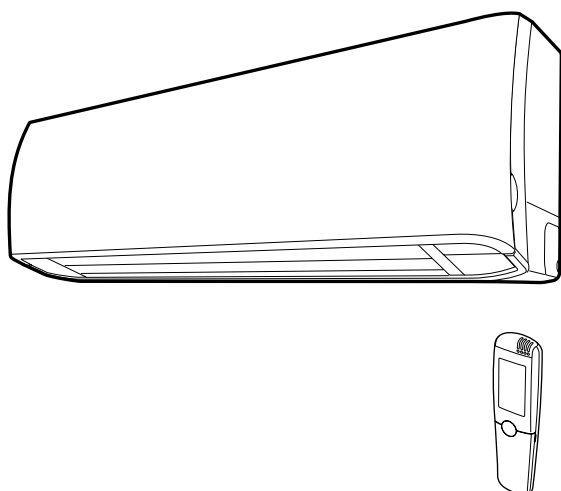
Destination: Europe
Northern Europe

DC INVERTER SPLIT SYSTEM AIR CONDITIONER

Indoor Model No.	Product Code No.
SAP-KRV94EHDX	1 852 099 77
SAP-KRV124EHDX	1 852 099 78

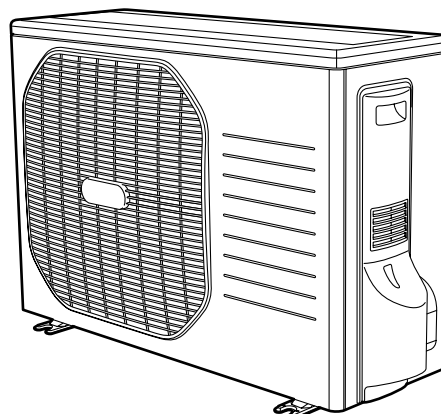
Outdoor Model No.	Product Code No.
SAP-CRV94EHDX	1 852 330 10
SAP-CRV124EHDX	1 852 330 11

Indoor Unit



SAP-KRV94EHDX
SAP-KRV124EHDX

Outdoor Unit



SAP-CRV94EHDX
SAP-CRV124EHDX

IMPORTANT

These air conditioners employ new refrigerant R410A.

Pay special attention when servicing the unit.

R410A

Important! Please Read Before Starting

This air conditioning system meets strict safety and operating standards. As the installer or service person, it is an important part of your job to install or service the system so it operates safely and efficiently.

For safe installation and trouble-free operation, you must:

- Carefully read this instruction booklet before beginning.
- Follow each installation or repair step exactly as shown.
- Observe all local, state, and national electrical codes.
- Pay close attention to all warning and caution notices given in this manual.



WARNING

This symbol refers to a hazard or unsafe practice which can result in severe personal injury or death.



CAUTION

This symbol refers to a hazard or unsafe practice which can result in personal injury or product or property damage.

If Necessary, Get Help

These instructions are all you need for most installation sites and maintenance conditions. If you require help for a special problem, contact our sales/service outlet or your certified dealer for additional instructions.

In Case of Improper Installation

The manufacturer shall in no way be responsible for improper installation or maintenance service, including failure to follow the instructions in this document.

SPECIAL PRECAUTIONS

WARNING When Wiring



ELECTRICAL SHOCK CAN CAUSE SEVERE PERSONAL INJURY OR DEATH. ONLY A QUALIFIED, EXPERIENCED ELECTRICIAN SHOULD ATTEMPT TO WIRE THIS SYSTEM.

- Do not supply power to the unit until all wiring and tubing are completed or reconnected and checked.
- Highly dangerous electrical voltages are used in this system. Carefully refer to the wiring diagram and these instructions when wiring. Improper connections and inadequate grounding can cause accidental injury or death.
- Ground the unit following local electrical codes.
- Connect all wiring tightly. Loose wiring may cause overheating at connection points and a possible fire hazard.

When Transporting

Be careful when picking up and moving the indoor and outdoor units. Get a partner to help, and bend your knees when lifting to reduce strain on your back. Sharp edges or thin aluminum fins on the air conditioner can cut your fingers.

When Installing

In a Ceiling or Wall

Make sure the ceiling/wall is strong enough to hold the unit's weight. It may be necessary to construct a strong wood or metal frame to provide added support.

In a Room

Properly insulate any tubing run inside a room to prevent "sweating" that can cause dripping and water damage to walls and floors.

In Moist or Uneven Locations

Use a raised concrete pad or concrete blocks to provide a solid, level foundation for the outdoor unit. This prevents water damage and abnormal vibration.

In an Area with High Winds

Securely anchor the outdoor unit down with bolts and a metal frame. Provide a suitable air baffle.

In a Snowy Area (for Heat Pump-type Systems)

Install the outdoor unit on a raised platform that is higher than drifting snow. Provide snow vents.

When Connecting Refrigerant Tubing

- Use the flare method for connecting tubing.
- Apply refrigerant lubricant to the matching surfaces of the flare and union tubes before connecting them, then tighten the nut with a torque wrench for a leak-free connection.
- Check carefully for leaks before starting the test run.

When Servicing

- Turn the power off at the main power box (mains) before opening the unit to check or repair electrical parts and wiring.
- Keep your fingers and clothing away from any moving parts.
- Clean up the site after you finish, remembering to check that no metal scraps or bits of wiring have been left inside the unit being serviced.

Others



CAUTION

- Ventilate any enclosed areas when installing or testing the refrigeration system. Escaped refrigerant gas, on contact with fire or heat, can produce dangerously toxic gas.
- Confirm upon completing installation that no refrigerant gas is leaking. If escaped gas comes in contact with a stove, gas water heater, electric room heater or other heat source, it can produce dangerously toxic gas.

Table of Contents

	Page
1. OPERATING RANGE	5
2. SPECIFICATIONS	
2-1. Unit Specifications	6
2-2. Major Component Specifications	8
2-3. Other Component Specifications	12
3. DIMENSIONAL DATA	13
4. REFRIGERANT FLOW DIAGRAM	
4-1. Refrigerant Flow Diagram	15
5. PERFORMANCE DATA	
5-1. Temperature Charts	16
5-2. Air Throw Distance Charts	18
6. ELECTRICAL DATA	
6-1. Electrical Characteristics	20
6-2. Electric Wiring Diagrams	21
7. INSTALLATION INSTRUCTIONS	
7-1. Installation Site Selection	22
7-2. Recommended Wire Length and Diameter	24
7-3. Remote Control Unit Installation Position	25
7-4. How to Test Run the Air Conditioner	26
7-5. Remove the Grille to Install the Indoor Unit	27
8. MAINTENANCE	
8-1. Address Setting of the Remote Control Unit	28
8-2. Removing and Mounting the Drain Hose	29
8-3. Removing the Electrical Component Box	30
8-4. Removing the Panel Motor	32
8-5. Removing and Mounting the Drain Pan (Air Outlet Ass'y)	33
8-6. Removing the Negative Ion Generator	35
8-7. Removing and Mounting the Fan Motor	36
8-8. Removing the Fan	37
8-9. Disconnecting and Connecting Positive Connector for Outdoor Unit	38
9. FUNCTIONS	
9-1. Operation Functions	39
9-2. Protective Functions	41

	Page
10. TROUBLESHOOTING	
10-1. Precautions before Performing Inspection or Repair	43
10-2. Method of Self-Diagnostics	43
10-3. Checking the Indoor and Outdoor Units	45
10-4. Trouble Diagnosis of Indoor and Outdoor Fan Motor	46
10-5. Noise Malfunction and Electromagnetic Interference	48
10-6. Checking and Troubleshooting when the Front Panel fails to work	49
11. CHECKING ELECTRICAL COMPONENTS	
11-1. Measurement of Insulation Resistance	51
11-2. Checking Continuity of Fuse on PCB Ass'y	52
12. REFRIGERANT R410A:	
SPECIAL PRECAUTIONS WHEN SERVICING UNIT	
12-1. Characteristics of New Refrigerant R410A	53
12-2. Checklist before Servicing	53
12-3. Tools Specifically for R410A	55
12-4. Tubing Installation Procedures	55
12-5. In Case of Compressor Malfunction	56
12-6. In Case Refrigerant is Leaking	58
12-7. Charging Additional Refrigerant	59
12-8. Retro-Fitting Existing Systems	59
APPENDIX INSTRUCTION MANUAL	60

1. OPERATING RANGE

	Temperature	Indoor Air Intake Temp.	Outdoor Air Intake Temp.
Cooling	Maximum	32 °C D.B. / 23 °C W.B.	43 °C D.B.
	Minimum	19 °C D.B. / 14 °C W.B.	-15 °C D.B.
Heating	Maximum	27 °C D.B.	24 °C D.B. / 18 °C W.B.
	Minimum	16 °C D.B.	- D.B. / -20 °C W.B.

2. SPECIFICATIONS

2-1. Unit Specifications

Indoor Unit **SAP-KRV94EHD**X

Outdoor Unit **SAP-CRV94EHD**X

Voltage Rating		230 V	
Performance		Cooling	Heating
Capacity	kW	2.65 (0.9 to 3.8)	3.60 (0.9 to 5.5)
	BTU/h	9,000 (3,100 to 13,000)	12,300 (3,100 to 18,800)
Air Circulation (High)	m ³ /h	600	600
Moisture Removal (High)	Liters/h	1.8	-
Electrical Rating		Cooling	Heating
Available Voltage Range	V	198 to 264	
Running Amperes	A	2.40 (1.6 to 6.9)	3.30 (1.6 to 9.9)
Power Input	W	530 (250 to 1,350)	720 (250 to 1,450)
Power Factor	%	96	95
E.E.R.	W/W	5.0	-
C.O.P.	W/W	-	5.0
Compressor Locked Rotor Amperes	A	7.8	
Features			
Controls / Temperature Control		Microprocessor / I.C. Thermister	
Control Unit		Wireless Remote Control Unit	
Timer		24-Hour ON or OFF Timer, 1.2.3.5-Hours OFF Timer	
Fan Speeds	Indoor / Outdoor	Auto and 3 steps	
Airflow Direction (Indoor)	Horizontal	Auto	
	Vertical	Auto	
Air Filter		Washable, Anti-Mold	
Compressor		DC Twin Rotary (Inverter)	
Refrigerant / Amount charged at shipment	g	R410A / 1,380	
Refrigerant Control		Electric Expansion Valve	
Operation Sound	Indoor : Hi/Me/Lo/Qt* dB-A	39 / 38 / 30 / 22	40 / 38 / 30 / 22
	Outdoor : Hi dB-A	49	50
Refrigerant Tubing Connections		Flare Type	
Max. allowable tubing length at shipment	m	7.5	
Refrigerant	Narrow tube mm (in.)	6.35 (1/4)	
Tube Diameter	Wide tube mm (in.)	9.52 (3/8)	
Refrigerant Tube Kit / Accessories		Optional / Air Clean Filter	
Dimensions & Weight		Indoor Unit	Outdoor Unit
Unit Dimensions	Height mm	300	569
	Width mm	898	790
	Depth mm	200	285
Package Dimensions	Height mm	280	645
	Width mm	970	921
	Depth mm	360	386
Weight	Net kg	12.5	40.0
	Shipping kg	14.0	43.0
Shipping Volume	m ³	0.098	0.229

DATA SUBJECT TO CHANGE WITHOUT NOTICE.

Remarks: Rating conditions are:

Cooling: Indoor air temperature 27°C D.B. / 19°C W.B.

Outdoor air temperature 35°C D.B. / 24°C W.B.

Heating: Indoor air temperature 20°C D.B.

Outdoor air temperature 7°C D.B. / 6°C W.B.

Indoor Unit **SAP-KRV124EHD**
 Outdoor Unit **SAP-CRV124EHD**

Power Source		220 to 240V Single-Phase 50Hz	
Voltage Rating		230 V	
Performance		Cooling	Heating
Capacity	kW	3.50 (0.9 to 4.2)	4.80 (0.9 to 6.0)
	BTU/h	11,900 (3,100 to 14,300)	16,400 (3,100 to 20,500)
Air Circulation (High)		m ³ /h	630
Moisture Removal (High)		Liters/h	2.0
			-
Electrical Rating		Cooling	Heating
Available Voltage Range		V 198 to 264	
Running Amperes		A 4.00 (1.6 to 7.8)	5.20 (1.6 to 9.9)
Power Input		W 875 (250 to 1,435)	1,140 (250 to 1,545)
Power Factor		% 95	95
E.E.R.		W/W 4.0	-
C.O.P.		W/W -	4.21
Compressor Locked Rotor Amperes		A 7.8	
Features			
Controls / Temperature Control		Microprocessor / I.C. Thermister	
Control Unit		Wireless Remote Control Unit	
Timer		24-Hour ON or OFF Timer, 1.2.3.5-Hours OFF Timer	
Fan Speeds		Indoor / Outdoor	Auto and 3 steps
Airflow Direction (Indoor)		Horizontal	Auto
		Vertical	Auto
Air Filter		Washable, Anti-Mold	
Compressor		DC Twin Rotary (Inverter)	
Refrigerant / Amount charged at shipment		g	R410A / 1,380
Refrigerant Control		Electric Expansion Valve	
Operation Sound	Indoor : Hi/Me/Lo/Qt*	dB-A	40 / 38 / 30 / 22
	Outdoor : Hi	dB-A	50
			41 / 38 / 30 / 22
			51
Refrigerant Tubing Connections		Flare Type	
Max. allowable tubing length at shipment		m	7.5
Refrigerant		Narrow tube	mm (in.) 6.35 (1/4)
Tube Diameter		Wide tube	mm (in.) 9.52 (3/8)
Refrigerant Tube Kit / Accessories		Optional / Air Clean Filter	
Dimensions & Weight		Indoor Unit	Outdoor Unit
Unit Dimensions	Height	mm	300
	Width	mm	898
	Depth	mm	200
Package Dimensions	Height	mm	280
	Width	mm	970
	Depth	mm	360
Weight	Net	kg	12.5
	Shipping	kg	14.0
Shipping Volume		m ³	0.098
			569
			790
			285
			645
			921
			386
			40.0
			43.0
			0.229

DATA SUBJECT TO CHANGE WITHOUT NOTICE.

Remarks: Rating conditions are:
 Cooling: Indoor air temperature 27°C D.B. / 19°C W.B.
 Outdoor air temperature 35°C D.B. / 24°C W.B.
 Heating: Indoor air temperature 20°C D.B.
 Outdoor air temperature 7°C D.B. / 6°C W.B.

2-2. Major Component Specifications

2-2-1. Indoor Unit

Indoor Unit **SAP-KRV94EHDX**

Control PCB		
Part No.		CB-KRV94EHDX
Controls		Microprocessor
Control Circuit Fuse		250V 3.15A
Remote Control Unit		RCS-4HVPDXS4EE
Fan		
Type		Cross-Flow
Q'ty ... Dia. and Length	mm	1 ... D100 / L677
Fan Motor		
Type		DC Motor
Model ... Q'ty		SIC-39CVL-D847-3 ... 1
No. of Poles		8
Rough Measure RPM (Cool / Heat)		1,200 / 1,200
Nominal Output	W	30
Coil Resistance	Ohm	-
(Ambient Temp. 20 °C)		
Safety Device		
Type		Internal Controller
Over- Current Protection		Yes
Over-Heat Protection		Yes
Run Capacitor	Micro F	-
	VAC	-
Flap Motor		
Type		Stepping Motor
Model	For Right Flap	MP24Z2
	For Left Flap	MP24Z2
	For Upper Flap	MP24Z5
	For Lower Flap	MP24Z1
Rating		DC 5V
Coil Resistance	Ohm	Each Pair of Terminal : 70 +/- 7%
(Ambient Temp. 25 °C)		
Panel Motor		
Type		Stepping Motor
Model		MP35EA
Rating		DC 12V
Coil Resistance	Ohm	Each Pair of Terminal : 130 +/- 7%
(Ambient Temp. 25 °C)		
Heat Exchanger Coil		
Coil		Aluminum Plate Fin / Copper Tube
Rows		2
Fin Pitch	mm	1.1
Face Area	m ²	0.272

DATA SUBJECT TO CHANGE WITHOUT NOTICE.

Indoor Unit **SAP-KRV124EHDX**

Control PCB		
Part No.		CB-KRV124EHDX
Controls		Microprocessor
Control Circuit Fuse		250V 3.15A
Remote Control Unit		RCS-4HVPDXS4EE
Fan		
Type		Cross-Flow
Q'ty ... Dia. and Length	mm	1 ... D100 / L677
Fan Motor		
Type		DC Motor
Model ... Q'ty		SIC-39CVL-D847-3 ... 1
No. of Poles		8
Rough Measure RPM (Cool / Heat)		1,250 / 1,250
Nominal Output	W	30
Coil Resistance	Ohm	-
(Ambient Temp. 20 °C)		
Safety Device		
Type		Internal Controller
Over- Current Protection		Yes
Over-Heat Protection		Yes
Run Capacitor	Micro F	-
	VAC	-
Flap Motor		
Type		Stepping Motor
Model	For Right Flap	MP24Z2
	For Left Flap	MP24Z2
	For Upper Flap	MP24Z5
	For Lower Flap	MP24Z1
Rating		DC 5V
Coil Resistance	Ohm	Each Pair of Terminal : 70 +/- 7%
(Ambient Temp. 25 °C)		
Panel Motor		
Type		Stepping Motor
Model		MP35EA
Rating		DC 12V
Coil Resistance	Ohm	Each Pair of Terminal : 130 +/- 7%
(Ambient Temp. 25 °C)		
Heat Exchanger Coil		
Coil		Aluminum Plate Fin / Copper Tube
Rows		2
Fin Pitch	mm	1.1
Face Area	m ²	0.272

DATA SUBJECT TO CHANGE WITHOUT NOTICE.

2-2-2. Outdoor Unit

Outdoor Unit **SAP-CRV94EHDX**

Control PCB		
Part No.		CB-CRV94EHDX
Controls		Microprocessor
Control Circuit Fuse		250V 25A

Compressor		
Type		DC Twin Rotary (Hermetic)
Compressor Model / Nominal Output		C-6RVN93H0Q / 1,050W
Compressor Oil ... Amount	CC	FV50S ... 350
Coil Resistance (Ambient Temp. 20 °C)	Ohm	R - S : 0.482 S - T : 0.482 T - R : 0.482
Safety Device		
CT (Peak current cut-off control)		Yes
Compressor Discharge Temp. Control		Yes
Operation cut-off control in abnormal ambient Temp.		Yes
Run Capacitor	Micro F	-
	VAC	-
Crankcase Heater		-

Fan		
Type		Propeller
Q'ty ... Dia.	mm	1 ... D420

Fan Motor		
Type		DC Motor
Model ... Q'ty		DAJ12-55J71-CR ... 1
No. of Poles		8
Rough Measure RPM (Cool / Heat)		750 / 750
Nominal Output	W	50
Coil Resistance (Ambient Temp. 20 °C)	Ohm	RED - WHT : 77.5 WHT - BLU : 77.5 BLU - RED : 77.5
Safety Device		
Type		Internal Controller
Over- Current Protection		Yes
Run Capacitor	Micro F	-
	VAC	-

Heat Exchanger Coil		
Coil		Aluminum Plate Fin / Copper Tube
Rows		2
Fin Pitch	mm	1.3
Face Area	m ²	0.452

External Finish	
	Acrylic baked-on enamel finish

DATA SUBJECT TO CHANGE WITHOUT NOTICE.

Outdoor Unit **SAP-CRV124EHDX**

Control PCB		
Part No.		CB-CRV124EHDX
Controls		Microprocessor
Control Circuit Fuse		250V 25A

Compressor		
Type		DC Twin Rotary (Hermetic)
Compressor Model / Nominal Output		C-6RVN93H0Q / 1,050W
Compressor Oil ... Amount	CC	FV50S ... 350
Coil Resistance (Ambient Temp. 20 °C)	Ohm	R - S : 0.482 S - T : 0.482 T - R : 0.482
Safety Device		
CT (Peak current cut-off control)		Yes
Compressor Discharge Temp. Control		Yes
Operation cut-off control in abnormal ambient Temp.		Yes
Run Capacitor	Micro F	-
	VAC	-
Crankcase Heater		-

Fan		
Type		Propeller
Q'ty ... Dia.	mm	1 ... D420

Fan Motor		
Type		DC Motor
Model ... Q'ty		DAJ12-55J71-CR ... 1
No. of Poles		8
Rough Measure RPM (Cool / Heat)		750 / 750
Nominal Output	W	50
Coil Resistance (Ambient Temp. 20 °C)	Ohm	RED - WHT : 77.5 WHT - BLU : 77.5 BLU - RED : 77.5
Safety Device		
Type		Internal Controller
Over- Current Protection		Yes
Run Capacitor	Micro F	-
	VAC	-

Heat Exchanger Coil		
Coil		Aluminum Plate Fin / Copper Tube
Rows		2
Fin Pitch	mm	1.3
Face Area	m ²	0.452

External Finish	Acrylic baked-on enamel finish
------------------------	--------------------------------

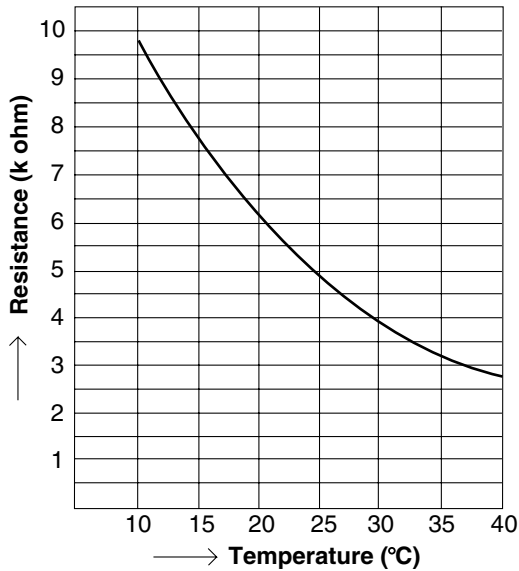
DATA SUBJECT TO CHANGE WITHOUT NOTICE.

2-3. Other Component Specifications

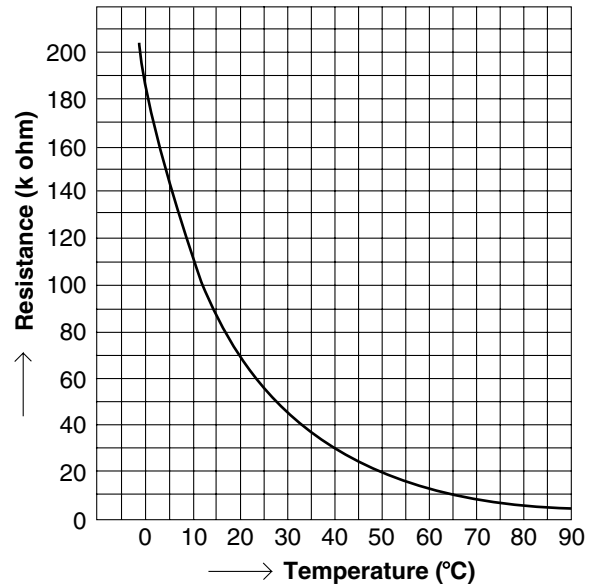
Indoor Unit **SAP-KRV94EHDX**
SAP-KRV124EHDX

Outdoor Unit **SAP-CRV94EHDX**
SAP-CRV124EHDX

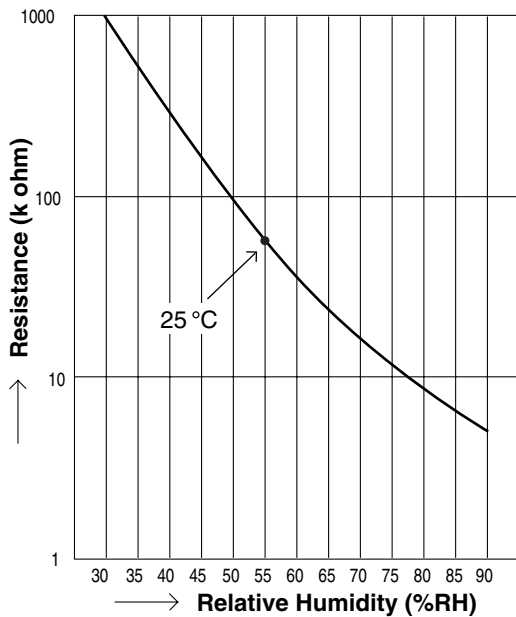
- **Indoor air temp sensor**
 (Model:DTN-TKS223Y TH1)



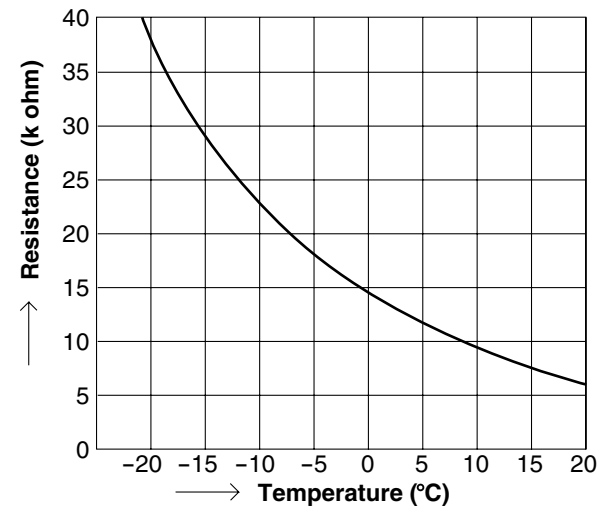
- **Indoor heat exchanger sensor**
 (Model:DTN-TKS223Y TH2)
- **Compressor temp sensor**
 (Model:1FA4V2E033800)



- **Humidity sensor**
 (Model:C10-M52R-SY)

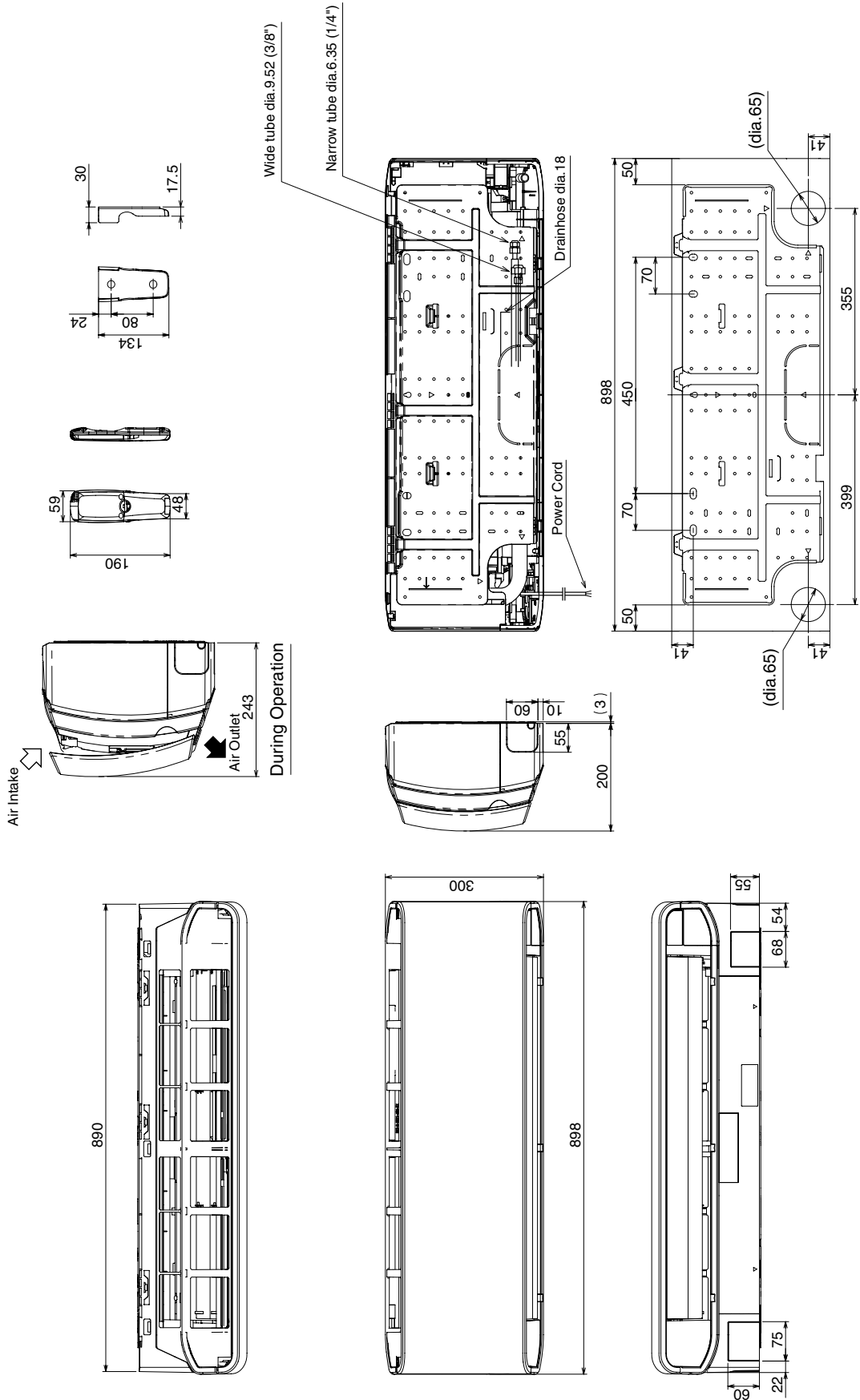


- **Suction temp sensor**
 (Model:1FA4V2E033800)
- **Outdoor air temp sensor**
 (Model:8FA0525920400)
- **Outdoor heat exchanger sensor**
 (Model:8FA0525920400)



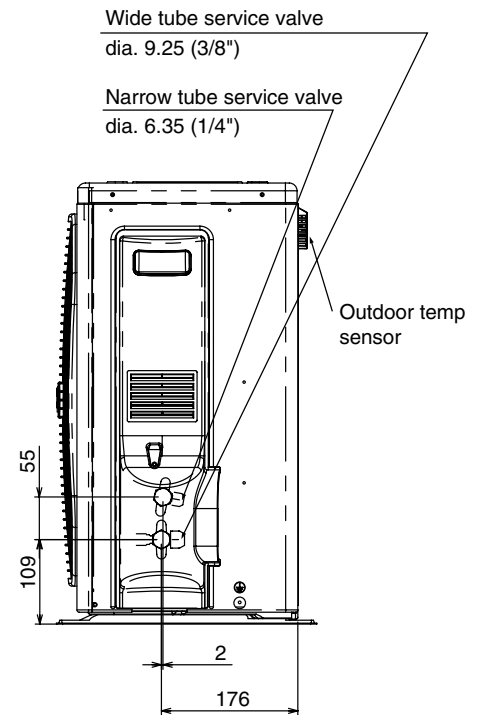
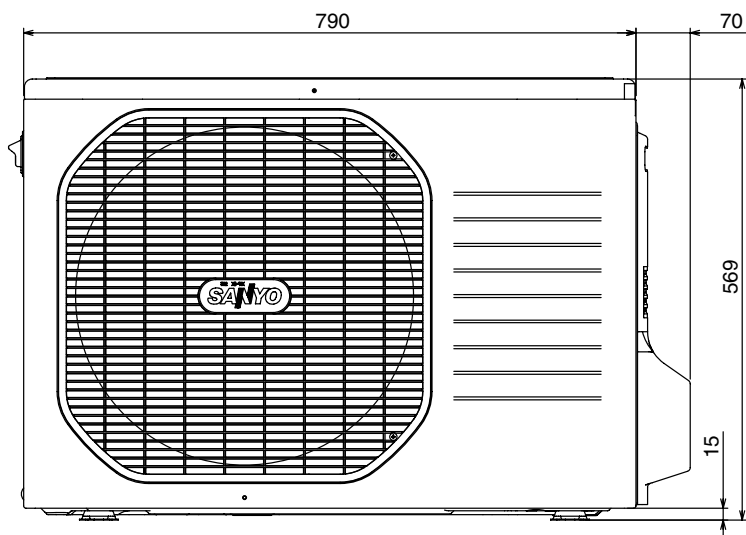
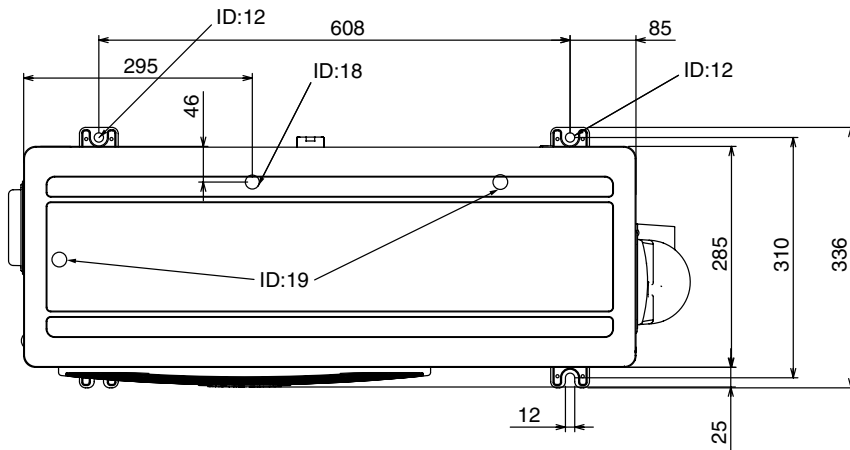
3. DIMENSIONAL DATA

Indoor Unit **SAP-KRV94EHDX**
SAP-KRV124EHDX



Unit: mm

Outdoor Unit **SAP-CRV94EHDX**
SAP-CRV124EHDX



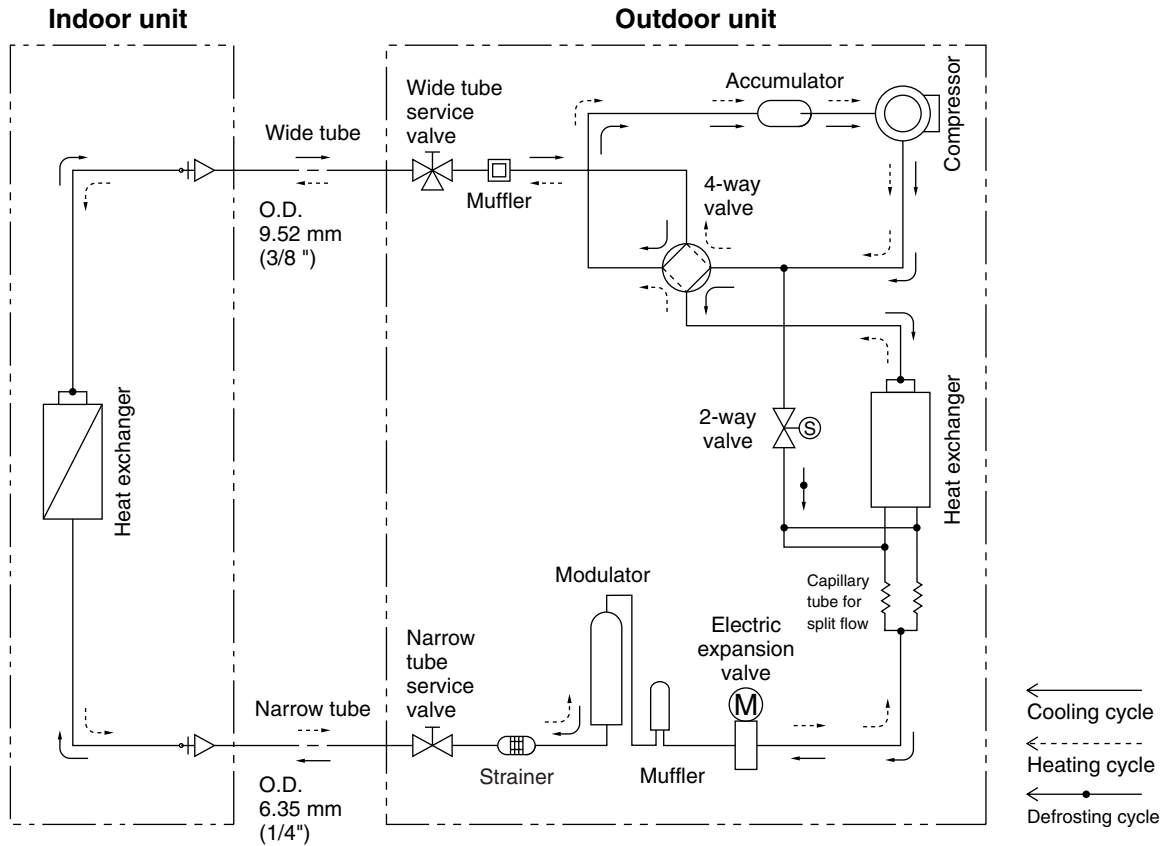
Unit: mm

4. REFRIGERANT FLOW DIAGRAM

4-1. Refrigerant Flow Diagram

Indoor Unit **SAP-KRV94EHDX**
SAP-KRV124EHDX

Outdoor Unit **SAP-CRV94EHDX**
SAP-CRV124EHDX



Insulation of Refrigerant Tubing

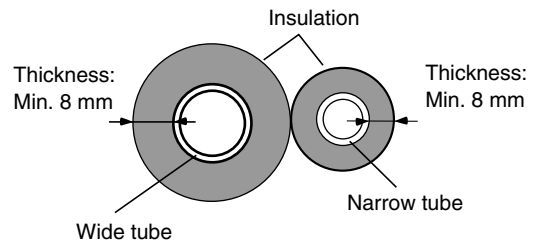
IMPORTANT

Because capillary tubing is used in the outdoor unit, both the wide and narrow tubes of this air conditioner become cold. To prevent heat loss and wet floors due to dripping of condensation, **both tubes must be well insulated** with a proper insulation material. The thickness of the insulation should be a min. 8 mm.



CAUTION

After a tube has been insulated, never try to bend it into a narrow curve because it can cause the tube to break or crack.



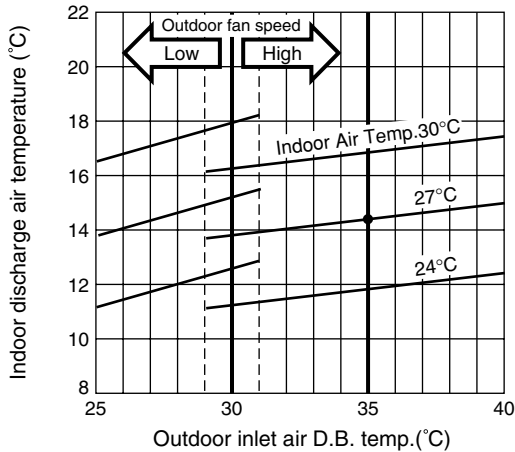
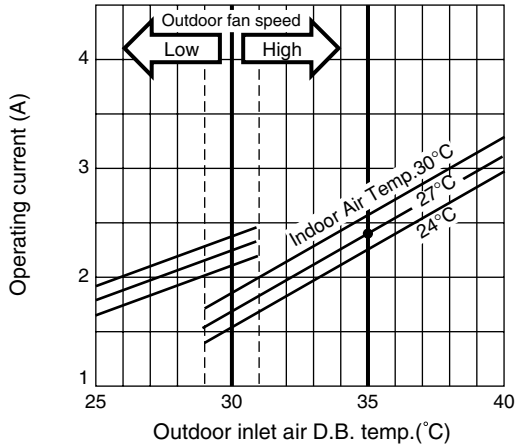
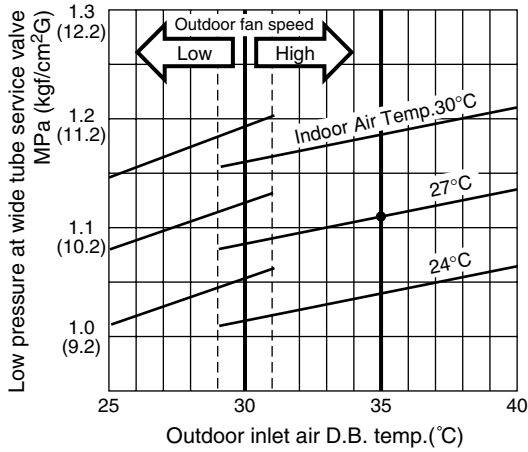
5. PERFORMANCE DATA

5-1. Temperature Charts

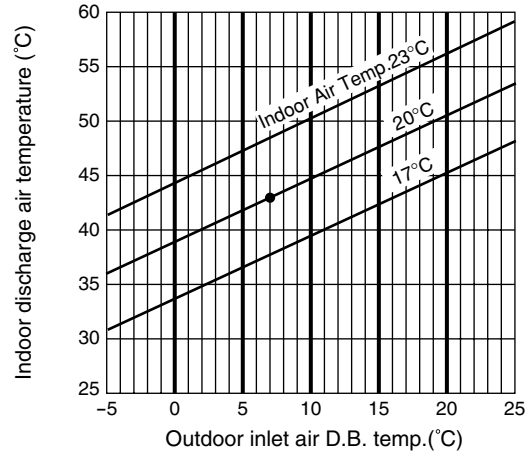
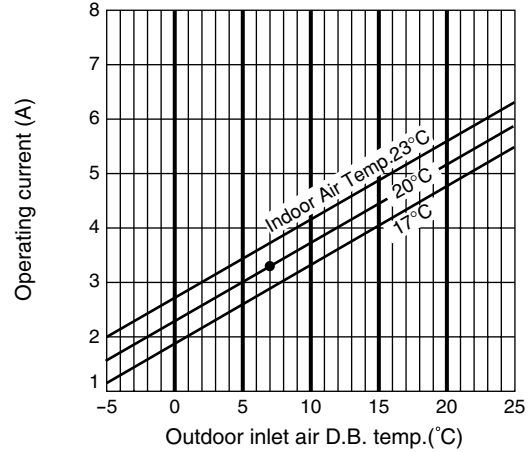
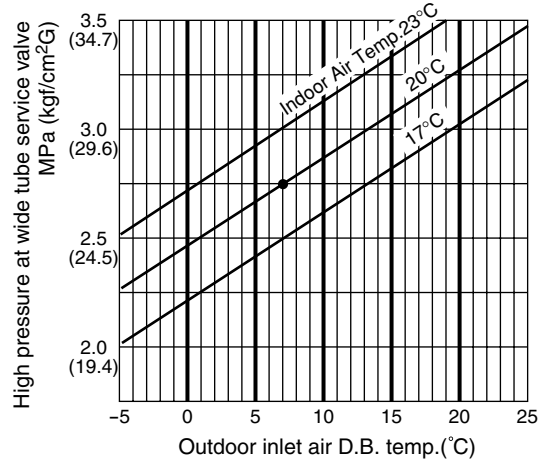
Indoor Unit **SAP-KRV94EHDX**

Outdoor Unit **SAP-CRV94EHDX**

■ Cooling Characteristics



■ Heating Characteristics



NOTE

- Check each performance value in test-run mode. Electrical performance values represent a combined indoor/outdoor value.
- Overload prevention operates to protect the air conditioner when outdoor ambient temperature becomes extremely high in heating mode. (Refer to "9-2. Overload prevention during heating.")

●:Points of rating condition

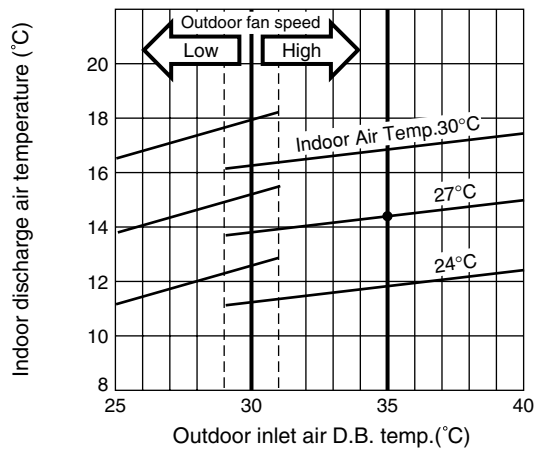
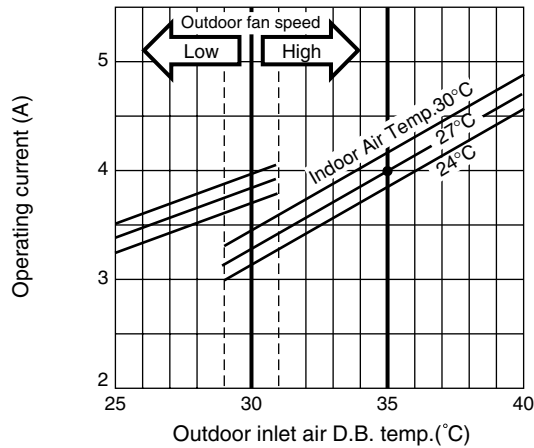
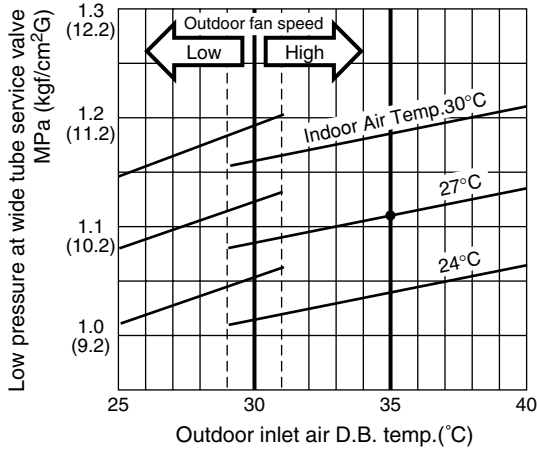
Black dots in above charts indicate the following rating conditions.

Cooling: Indoor air temperature 27 °C D.B. / 19 °C W.B.
Outdoor air temperature 35 °C D.B. / 24 °C W.B.

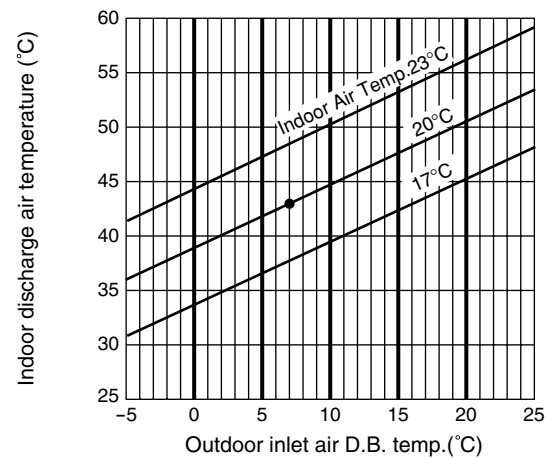
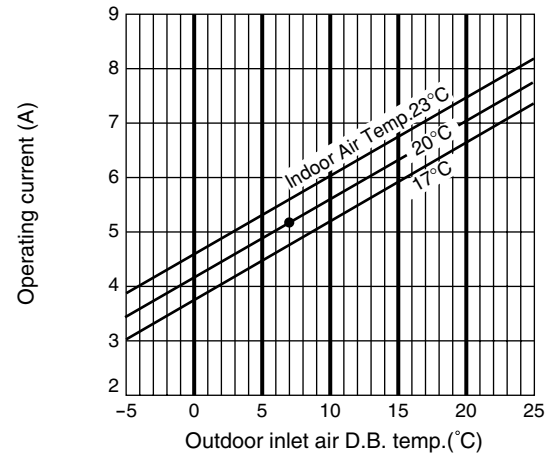
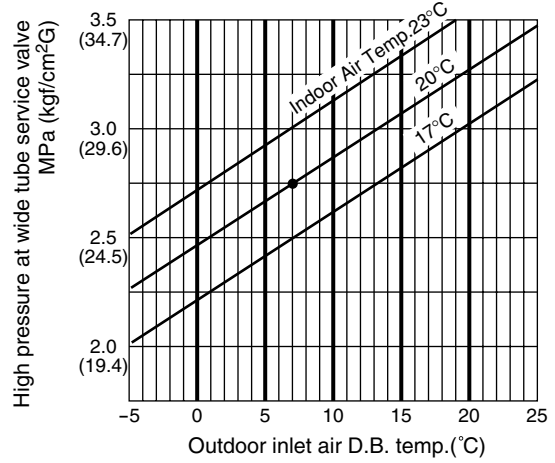
Heating: Indoor air temperature 20 °C D.B.
Outdoor air temperature 7 °C D.B. / 6 °C W.B.

Indoor Unit **SAP-KRV124EHDX**
 Outdoor Unit **SAP-CRV124EHDX**

■ Cooling Characteristics



■ Heating Characteristics



NOTE

- Check each performance value in test-run mode. Electrical performance values represent a combined indoor/outdoor value.
- Overload prevention operates to protect the air conditioner when outdoor ambient temperature becomes extremely high in heating mode. (Refer to "9-2. Overload prevention during heating.")

●:Points of rating condition

Black dots in above charts indicate the following rating conditions.

Cooling: Indoor air temperature 27 °C D.B. / 19 °C W.B.
 Outdoor air temperature 35 °C D.B. / 24 °C W.B.

Heating: Indoor air temperature 20 °C D.B.
 Outdoor air temperature 7 °C D.B. / 6 °C W.B.

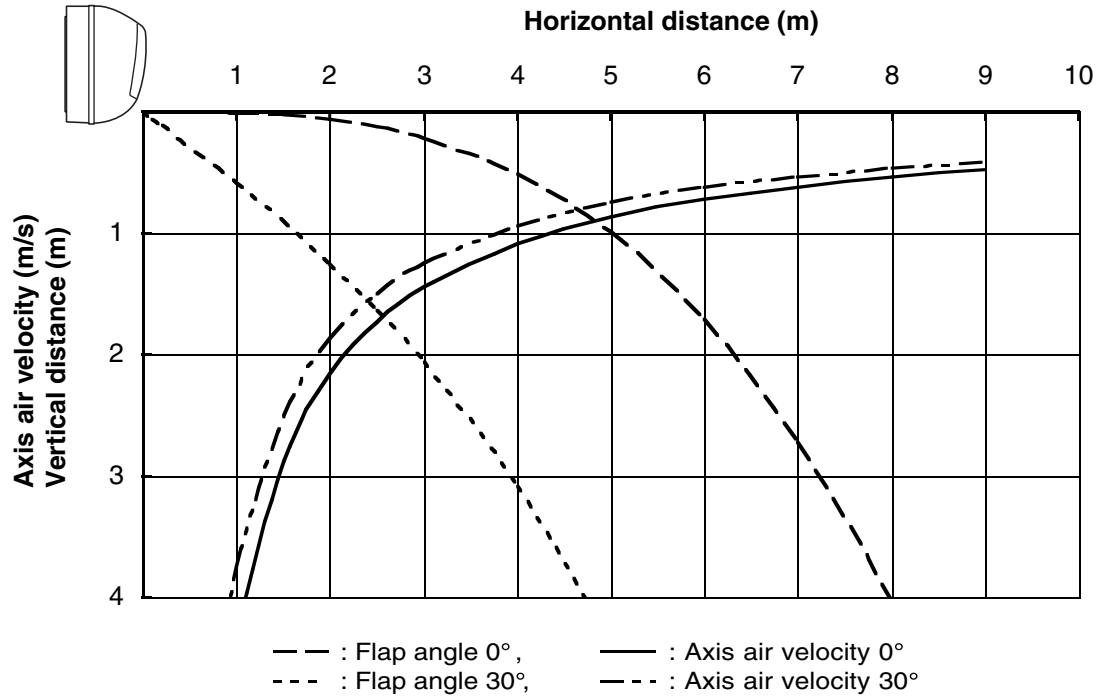
5-2. Air Throw Distance Charts

Indoor Unit SAP-KRV94EHDX

Cooling

Room air temp. : 27°C

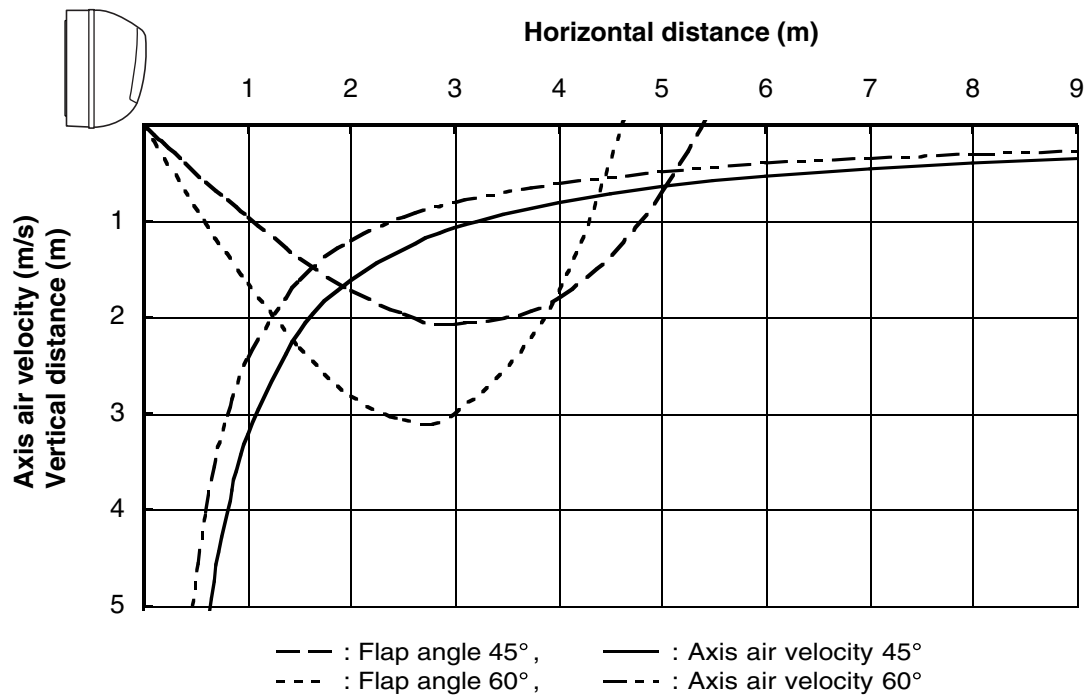
Fan speed : High



Heating

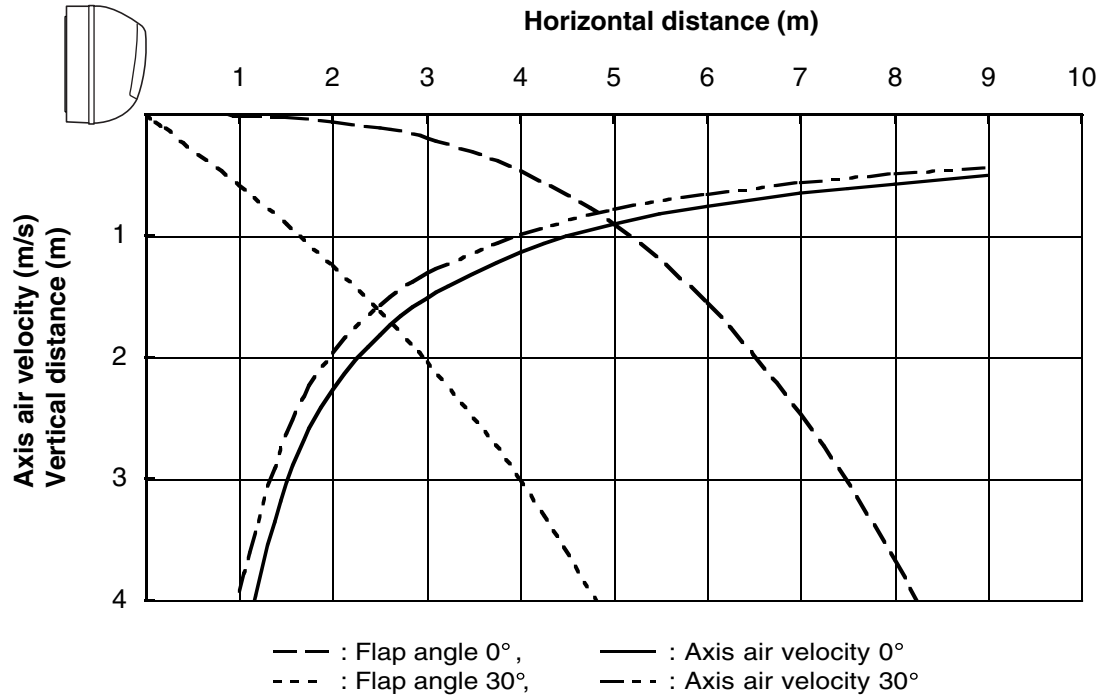
Room air temp. : 20°C

Fan speed : High



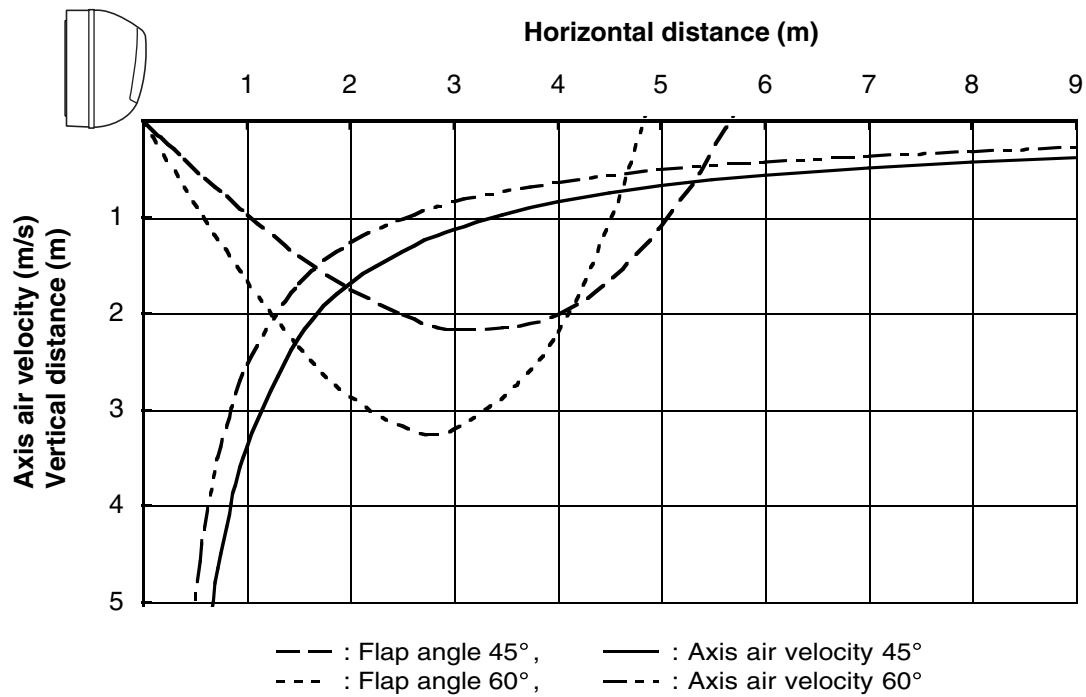
Cooling

Room air temp. : 27 °C
 Fan speed : High



Heating

Room air temp. : 20 °C
 Fan speed : High



6. ELECTRICAL DATA

6-1. Electrical Characteristics

Indoor Unit **SAP-KRV94EHDX**

Outdoor Unit **SAP-CRV94EHDX**

Cooling

			Indoor Unit	Outdoor Unit	Complete Unit
			Fan Motor	Fan Motor + Compressor	
Performance at			230V Single-phase 50Hz		
Rating conditions	Running amp.	A	0.35	2.05	2.4
	Power input	kW	0.028	0.502	0.530

Rating conditions: Indoor air temperature: 27 °C D.B. / 19 °C W.B.
Outdoor air temperature: 35 °C D.B.

Heating

			Indoor Unit	Outdoor Unit	Complete Unit
			Fan Motor	Fan Motor + Compressor	
Performance at			230V Single-phase 50Hz		
Rating conditions	Running amp.	A	0.35	2.95	3.3
	Power input	kW	0.028	0.692	0.720

Rating conditions: Indoor air temperature 20 °C D.B.
Outdoor air temperature 7 °C D.B. / 6 °C W.B.

Indoor Unit **SAP-KRV124EHDX**

Outdoor Unit **SAP-CRV124EHDX**

Cooling

			Indoor Unit	Outdoor Unit	Complete Unit
			Fan Motor	Fan Motor + Compressor	
Performance at			230V Single-phase 50Hz		
Rating conditions	Running amp.	A	0.35	3.65	4.0
	Power input	kW	0.028	0.847	0.875

Rating conditions: Indoor air temperature: 27 °C D.B. / 19 °C W.B.
Outdoor air temperature: 35 °C D.B.

Heating

			Indoor Unit	Outdoor Unit	Complete Unit
			Fan Motor	Fan Motor + Compressor	
Performance at			230V Single-phase 50Hz		
Rating conditions	Running amp.	A	0.35	4.85	5.2
	Power input	kW	0.028	1.112	1.140

Rating conditions: Indoor air temperature: 20 °C D.B.
Outdoor air temperature: 7 °C D.B. / 6 °C W.B.

6-2. Electric Wiring Diagrams

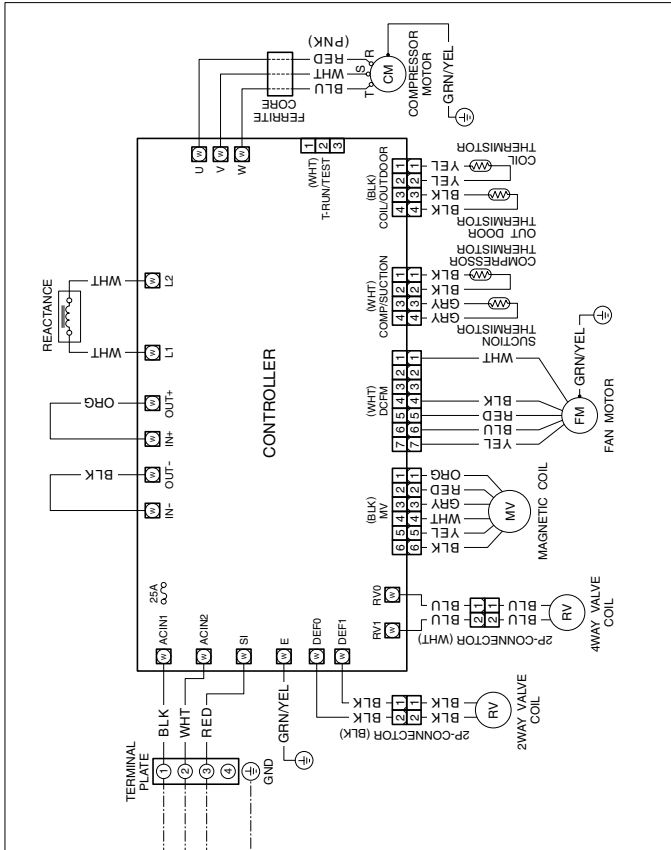
Indoor Unit **SAP-KRV94EHDX** **SAP-KRV124EHDX**
 Outdoor Unit **SAP-CRV94EHDX** **SAP-CRV124EHDX**



WARNING

To avoid electrical shock hazard, be sure to disconnect power before checking, servicing and/or cleaning any electrical parts.

Outdoor Unit : SAP-CRV94EHDX, CRV124EHDX

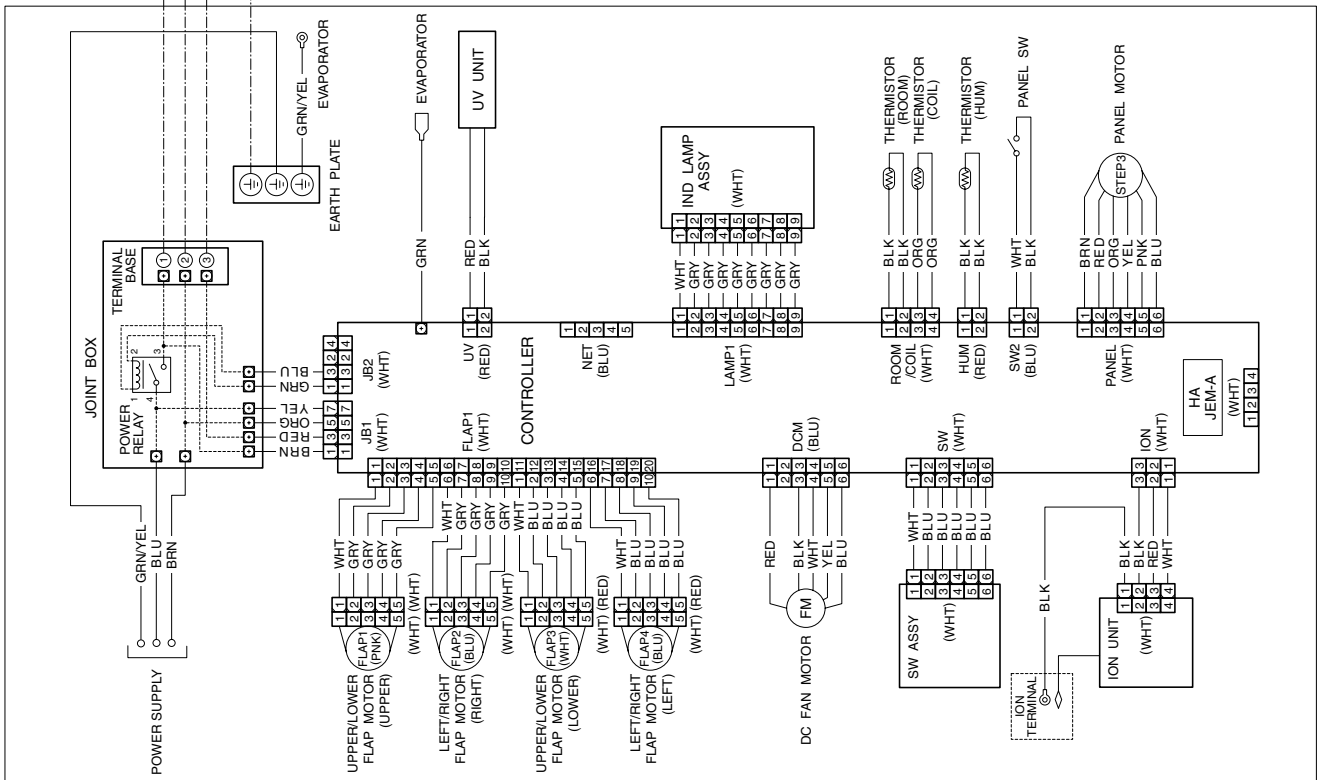


8FA2-5257-57900-0

Meaning of Abbreviations

ABBREV.	MEANING
1 BLK	BLACK
2 BLU	BLUE
3 BRN	BROWN
4 GRN/YEL	GREEN/YELLOW
5 GRY	GREY
6 ORG	ORANGE
7 PNK	PINK
8 RED	RED
9 VLT	VIOLET
10 WHT	WHITE
11 YEL	YELLOW

Indoor Unit : SAP-KRV94EHDX, KRV124EHDX



8FA2-5257-53400-1

7. INSTALLATION INSTRUCTIONS

7-1. Installation Site Selection

7-1-1. Indoor Unit



WARNING

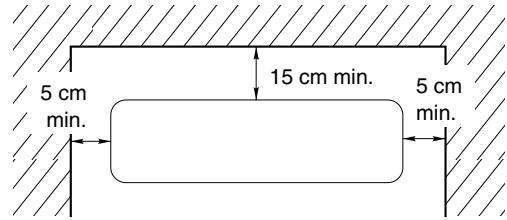
To prevent abnormal heat generation and the possibility of fire, do not place obstacles, enclosures and grilles in front of or surrounding the air conditioner in a way that may block air flow.

AVOID:

- direct sunlight.
- nearby heat sources that may affect performance of the unit.
- areas where leakage of flammable gas may be expected.
- places where large amounts of oil mist exist.

DO:

- select an appropriate position from which every corner of the room can be uniformly cooled. (High on a wall is best.)
- select a location that will hold the weight of the unit.
- select a location where tubing and drain hose have the shortest run to the outside.
- allow room for operation and maintenance as well as unrestricted air flow around the unit. (Fig. 1)
- install the unit within the maximum elevation difference (H) above or below the outdoor unit and within a total tubing length (L) from the outdoor unit as detailed in Table 1 and Fig. 2.
- Install the indoor unit more than 1 meter away from any antenna or power lines or connecting wires used for television, radio, telephone, security system, or intercom. Electrical noise from any of these sources may affect operation.



Front View

Fig. 1

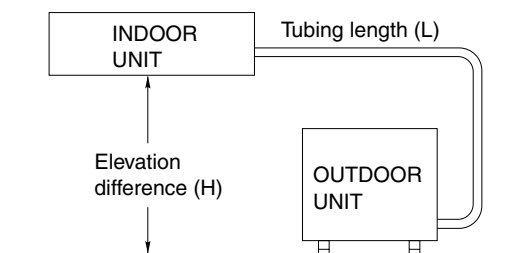


Fig. 2



CAUTION

For stable operation of the air conditioner, do not install wall-mounted type indoor units less than 1.5 m from floor level.

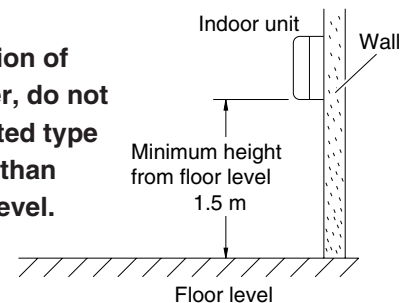


Fig. 3

Table 1

Model	Max. Allowable Tubing Length at Shipment (m)	Limit of Tubing Length (L) (m)	Limit of Elevation Difference (H) (m)	Required Amount of Additional Refrigerant (g/m)*
KRV94 / 124	7.5	15	10	15

* If total tubing length becomes 7.5 to 15 m, charge additional refrigerant (R410A) by 15 g/m. No additional charge of compressor oil is necessary.

7-1-2. Outdoor Unit

AVOID:

- heat sources, exhaust fans, etc. (Fig. 4)
- damp, humid or uneven locations.

DO:

- position the outdoor unit in a protected location where snow will not blow into it.
- choose a place as cool as possible.
- choose a place that is well ventilated.
- allow enough room around the unit for air intake/exhaust and possible maintenance. (Fig. 5a)
- provide a solid base (level concrete pad, concrete block, 10 × 40 cm beams or equal), a minimum of 10 cm above ground level to reduce humidity and protect the unit against possible water damage and decreased service life. (Fig. 5a)
- Install cushion rubber under unit's feet to reduce vibration and noise. (Fig. 5b)
- use lug bolts or equal to bolt down unit, reducing vibration and noise.
- Install in a location where no antenna of a television or radio exists within 3 meters.

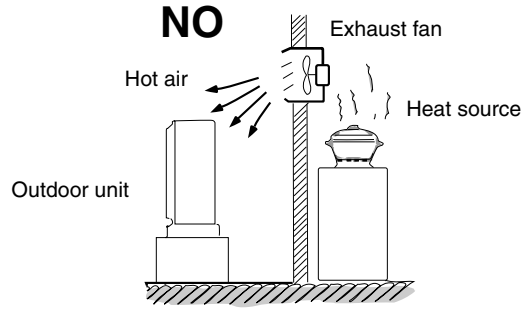


Fig. 4

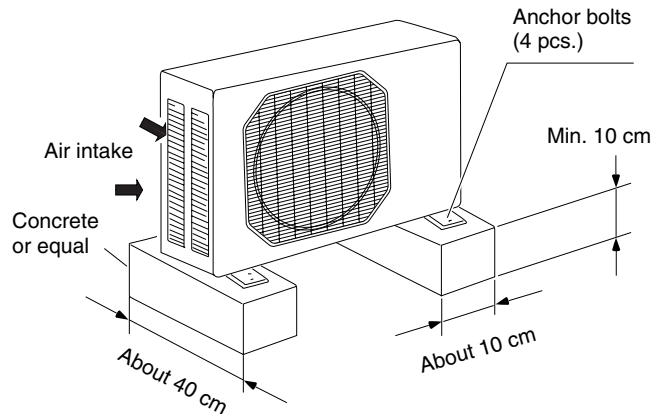
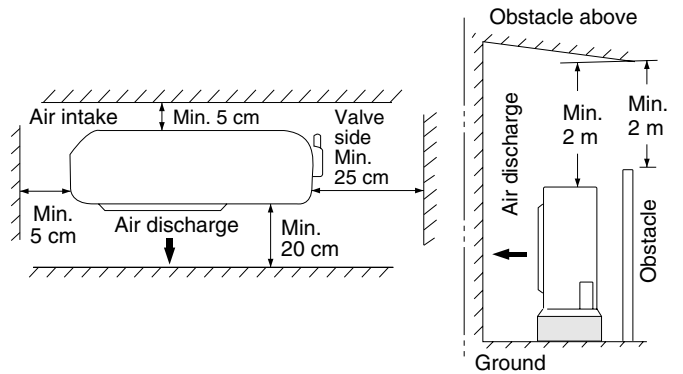


Fig. 5a

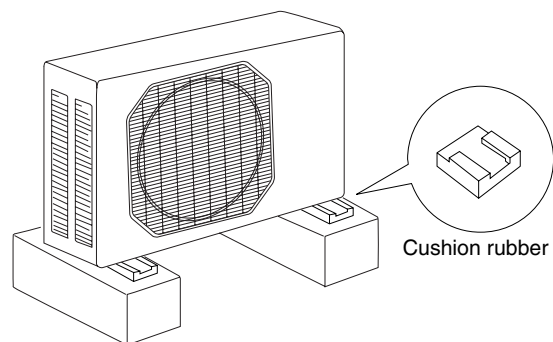


Fig. 5b

7-2. Recommended Wire Length and Diameter

Regulations on wiring diameter differ from locality to locality. For field wiring requirements, please refer to your local electrical codes. Carefully observe these regulations when carrying out the installation.

Table 2 lists recommended wire lengths and diameters for power supply systems.

NOTE

Refer to the wiring system diagram (Fig. 6) for the meaning of (A), (B) and (C) in Table 2.

Table 2

Model	Cross-Sectional Area (mm ²)	(A)+(B)	(A) Power Supply Wiring Length (m) (B) Power Line Length (m)	(C) Control Line Length (m)	Fuse or Circuit Breaker Capacity
		2	3.5	2	
CRV94		33	51	20	15A
CRV124		33	51	20	



WARNING

- Be sure to comply with local codes on running the wire from the indoor unit to the outdoor unit (size of wire and wiring method, etc.).
- Each wire must be firmly connected.
- No wire should be allowed to touch refrigerant tubing, the compressor, or any moving part.

WIRING SYSTEM DIAGRAM

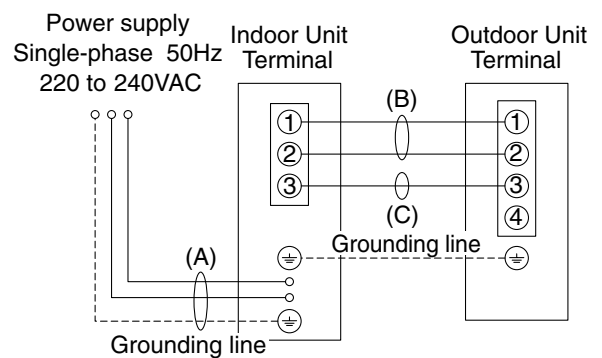


Fig. 6



WARNING

- To avoid the risk of electrical shock, each air conditioner unit must be grounded.
- For the installation of a grounding device, please observe local electrical codes.
- Grounding is necessary, especially for units using inverter circuits, in order to release charged electricity and electrical noise caused by high tension. Otherwise, electrical shock may occur.
- Place a dedicated ground more than 2 meters away from other grounds and do not have it shared with other electric appliances.



CAUTION

- Be sure to connect the power supply line to the indoor unit as shown in the wiring diagram. The outdoor unit draws its power from the indoor unit.
- Do not run wiring for antenna, signal, or power lines of television, radio, stereo, telephone, security system, or intercom any closer than 1 meter from the power cable and wires between the indoor and outdoor units. Electrical noise may affect the operation.

7-3. Remote Control Unit Installation Position

The remote control unit can be operated from either a non-fixed position or a wall-mounted position.

To ensure that the air conditioner operates correctly, do not install the remote control unit in the following places:

- In direct sunlight
- Behind a curtain or other place where it is covered
- More than 8 m away from the air conditioner
- In the path of the air conditioner's airstream
- Where it may become extremely hot or cold
- Where it may be subject to electrical or magnetic interference
- Where there is an obstacle between the remote control unit and the air conditioner (since a check signal is sent from the remote control unit every 5 minutes)

7-3-1. Mounting on a Wall

Before mounting the remote control unit, press the ON/OFF operation button at the mounting location to make sure that the air conditioner operates from that location. The indoor unit should make a beeping sound to indicate that it has received the signal.

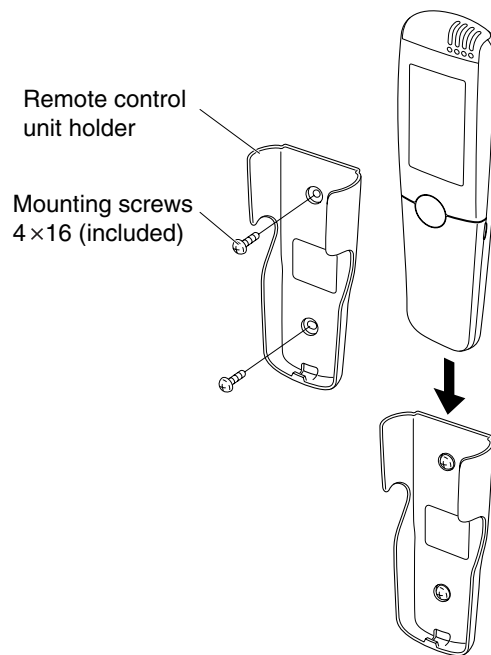


Fig. 7

7-4. How to Test Run the Air Conditioner

IMPORTANT

Use a sharp object when accessing ON/OFF and TEST buttons in the indoor unit.

After turning on power to the air conditioner, use the remote controller and follow the steps below to conduct the test run.

- (1) Either press the ON/OFF button on the indoor unit or use the remote controller to start the Air Conditioner. (Figs. 8a and 8b)
- (2) Press and hold down the TEST RUN button on the indoor main unit controller until a beep is heard. At this time, all indicator lamps begin blinking.(Figs. 8a and 8c)
 - If the outdoor unit has not started approximately 5 minutes after the start of the test run, execute self diagnostics.

To execute self diagnostics, while the unit is stopped press and hold down the TEST RUN button until a beep is heard. Self diagnostics begins when the TEST RUN button is released.
- (3) Press the ON/OFF operation button to end the test run. At this time, operation from the remote controller becomes possible.

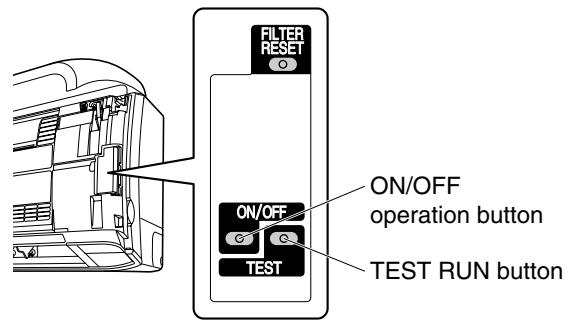


Fig. 8a



Fig. 8b

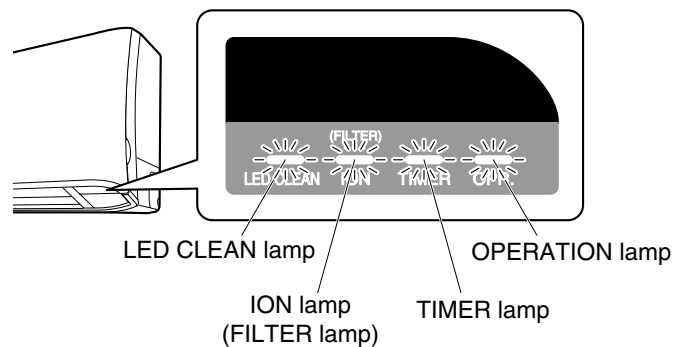


Fig. 8c

7-5. Remove the Grille to Install the Indoor Unit

Basically, these models can be installed and wired without removing the grille. If access to any internal part is needed, follow the steps as given below.

How to remove the grille

- (1) Open the front panel until it is nearly horizontal, grasp the sections near the front panel arms on both sides, and then pull forward to remove the front panel. (Fig. 9)
- (2) Remove the screw from the top right of the main unit. Also remove the screws where the screw covers are open. (Fig. 10)
- (3) Press the 3 tabs on the top of the grille to disengage them. (Fig. 10)
- (4) Pull the grille toward you to remove it. (Fig. 10)

How to replace the grille

- (1) Insert the bottom of the grille into the flap, with the flap at a more-or-less horizontal position.
- (2) While aligning both edges of the grille with the frame, move the panel horizontally and insert the top and bottom into the frame.
- (3) Press the air outlet firmly with your hand to ensure no gap exists between the main unit and grille.
- (4) Tighten the screws and close the screw covers.
- (5) Grasp the sections near the front panel arms on both sides, hold the front panel so that it is nearly horizontal, bring the arm shafts into contact with the top of the grooves on the right and left sides of the air conditioner, and then push firmly until the arm shafts click into place. (Fig. 11)
- (6) After closing the front panel, press firmly on the parts indicated by the arrows to securely fasten the panel in place. (Fig. 12)

NOTE

Check that no gap exists between the main unit and grille.

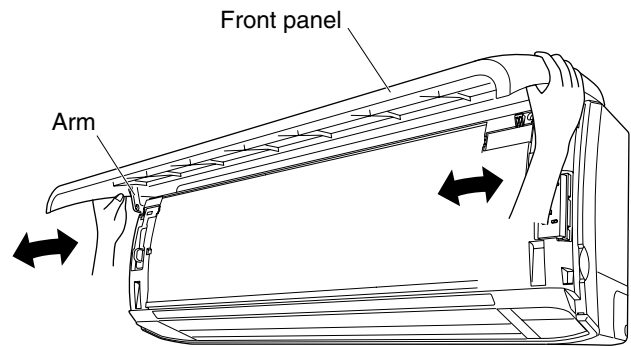


Fig. 9

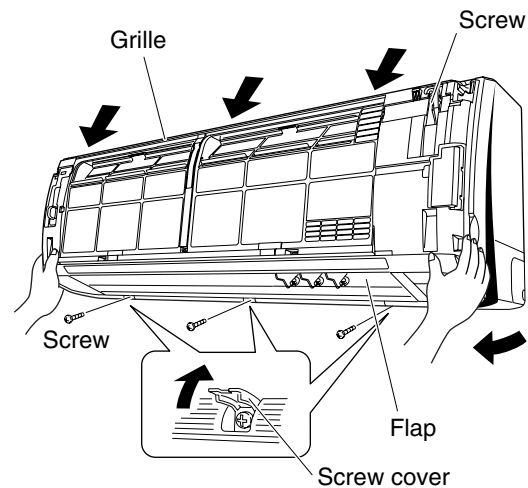


Fig. 10

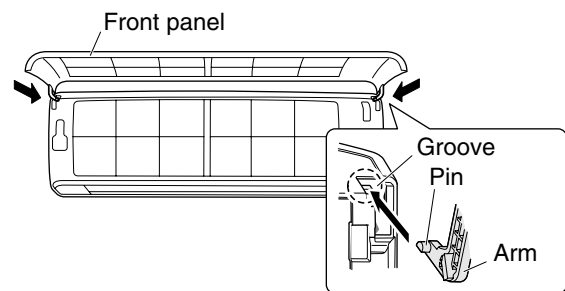


Fig. 11

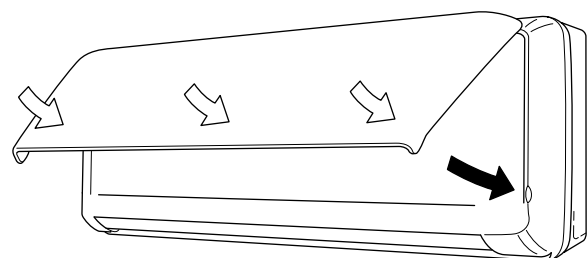


Fig. 12

8. MAINTENANCE

8-1. Address Setting of the Remote Control Unit

The address can be set in order to prevent interference between remote controllers when two Sanyo indoor units are installed near each other. The address is normally set to "A." To set a different address, it is necessary to change the address on the second remote controller.

NOTE

Once changed, you cannot restore the original address setting of the air conditioner.

Switching the remote controller address

- (1) Open the cover on the bottom of the remote controller. Break the address change tab to switch the address to B. (Fig. 13)
- (2) Insert dry cell batteries into the remote controller and attach the cover.
- (3) Open the front panel on the stopped indoor unit, and use a sharp object to press the TEST button on the main unit controller. Verify that the indoor unit produces the "beep beep" signal-reception sound, then release the button. (Fig. 14)
- (4) Next, within 5 seconds after the beep sound is heard from the indoor unit, press the remote controller ON/OFF button and verify that the 5 beeps signal-reception sound occurs again. (Fig. 15)

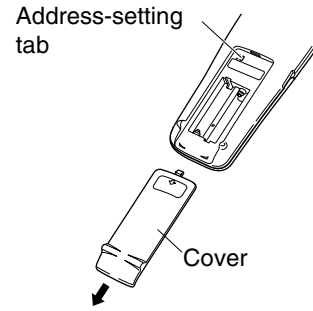


Fig. 13

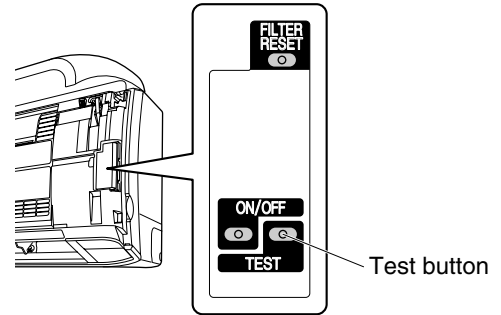


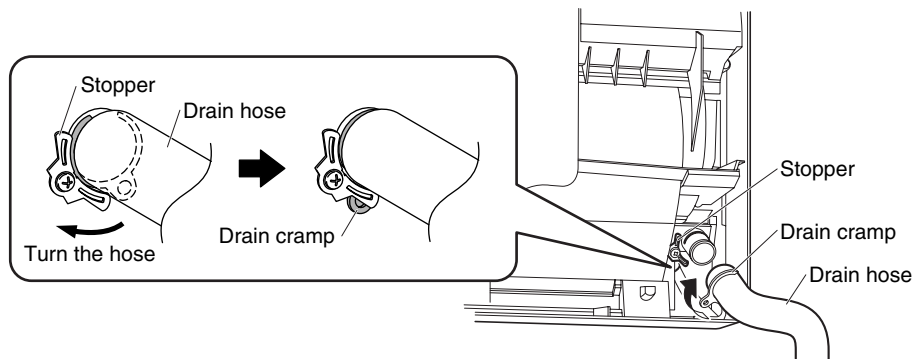
Fig. 14



Fig. 15

8-2. Removing and Mounting the Drain Hose

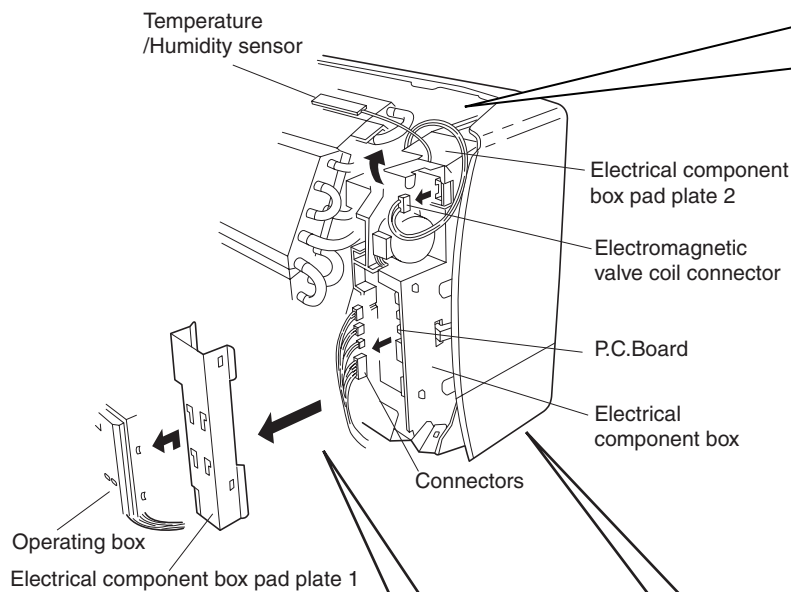
- (1) Before removing the drain hose, remove the clamp from the stopper to check the location of the drain clamp at the end of the hose, and pull the hose out while turning it.
- (2) To mount the drain hose, insert the hose all the way into the outlet of the drain pan with the drain clamp face down. Then put it in place so that the drain clamp is placed beneath the stopper. After mounting it, be sure to check that the drain hose is firmly mounted.



8-3. Removing the Electrical Component Box

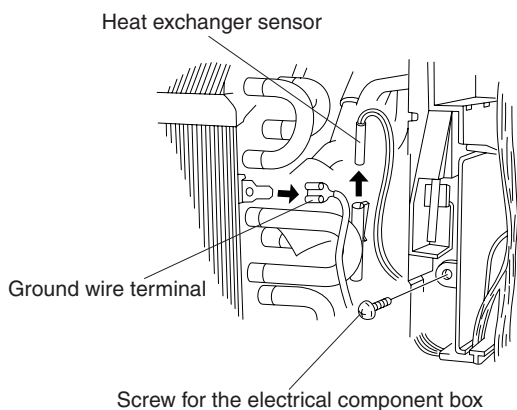
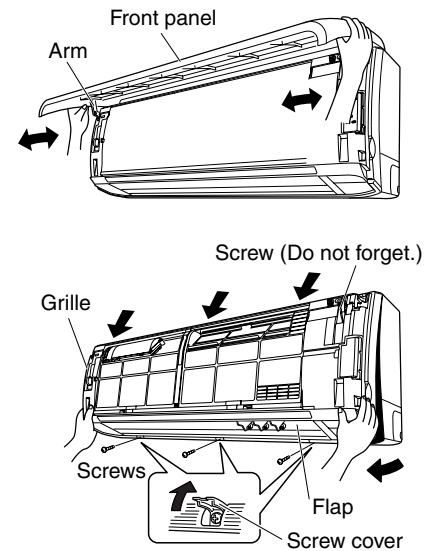
(Before replacing the P.C.Board with another, remove the electrical component box from the main body and its cover plate.)

- (1) Remove the grille.
- (2) Prior to remove the electrical component box, carry out the following:
 - (2-1) Remove the operating box of the main body and electrical component box pad plate 1.
 - (2-2) Disconnect all the connectors located on the P.C.Board.
 - (2-3) Take wiring out of the electrical component box.
 - (2-4) Fold down the electrical component box pad plate 2 forward and remove the electromagnetic valve coil connector.
 - (2-5) Remove the temperature/humidity sensor.

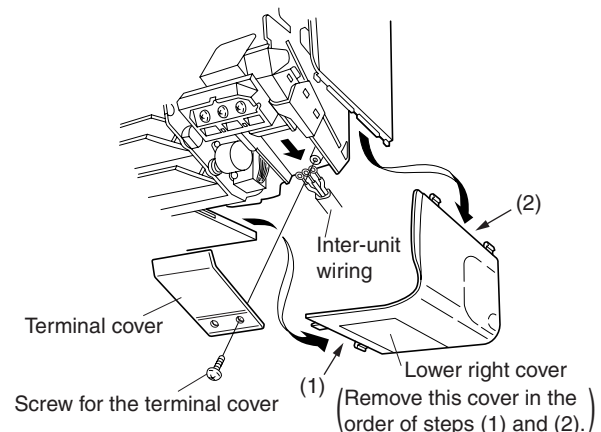


Removing the grille

1. Fully open the front panel, pulls the front panel while holding its part adjacent to the arm, and remove the front panel.
2. Remove the screw on top right of the main body. Also remove the screw found when the screw cover is opened.
3. Push three tabs on top side of the ornamental panel to remove them.
4. Pull the grille forward to remove it as it is.



- (2-6) Remove the heat exchanger sensor and ground wire terminal.
- (2-7) Remove screws for the electrical component box.

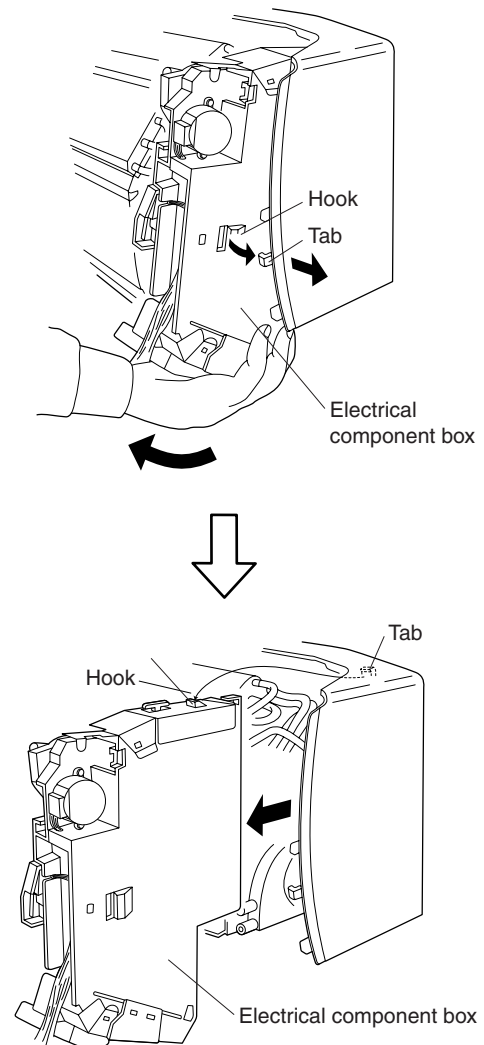


- (2-8) Remove the lower right cover.
- (2-9) Remove the terminal cover and remove the inter-unit cables.

(3) Removing the electrical component box.

(3-1) Slightly expand the side of the main body to the right side and unhook the tabs.

(3-2) Holding the bottom of the electrical component box while keeping the main body as it is in (3-1) above, release the tab at the top of the electrical component box.

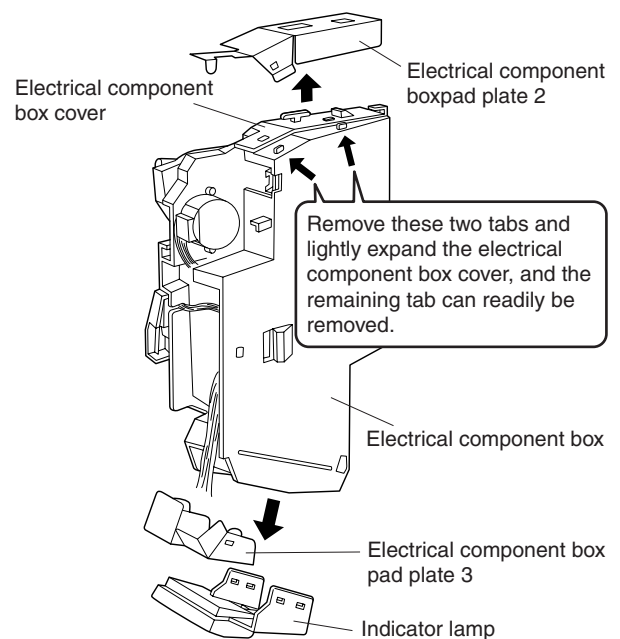


(4) Removing the P.C.Board

(4-1) Remove the indicator lamp, electrical component box pad plates 3 and 2.

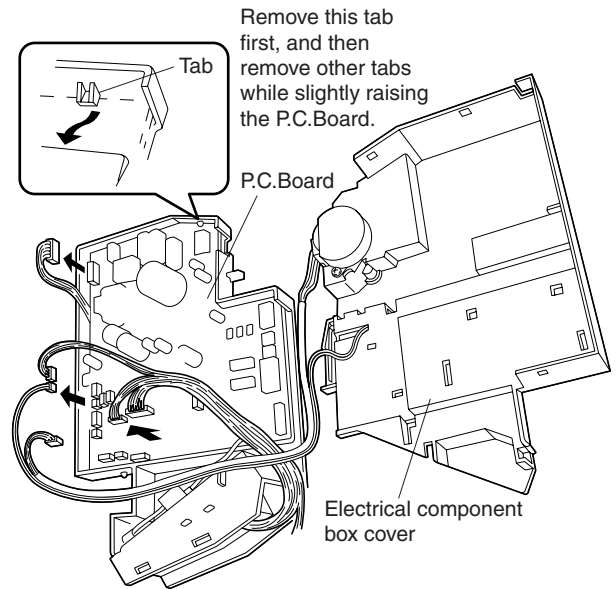
(4-2) Remove the electrical component box cover.

NOTE To replace the panel motor, proceed to "8-4. Removing the Panel Motor".

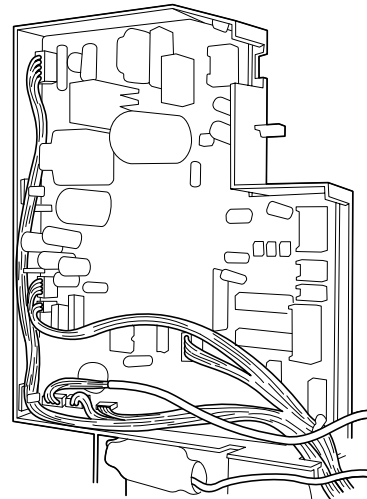


(4-3) Disconnect all the connectors on the P.C.Board.

(4-4) Replace the P.C.Board.



(4-5) Pulling out the lead wire after replacing the P.C.Board.

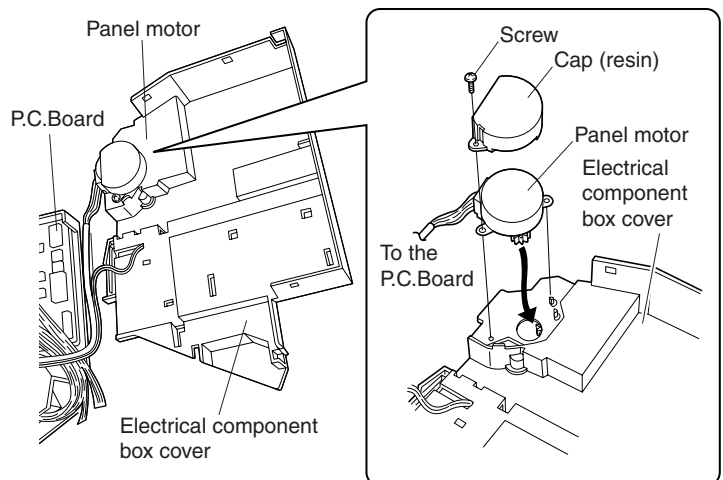


8-4. Removing the Panel Motor

Remove the electrical component box cover according to the previous section.

And carry out the procedure up to the "step (4-2) in 8-3. Removing the electrical component box."

- (1) Disconnect and remove the connector for the lead wire of the panel motor at the P.C.Board side.
- (2) Remove the screw on the panel motor and cap (resin).



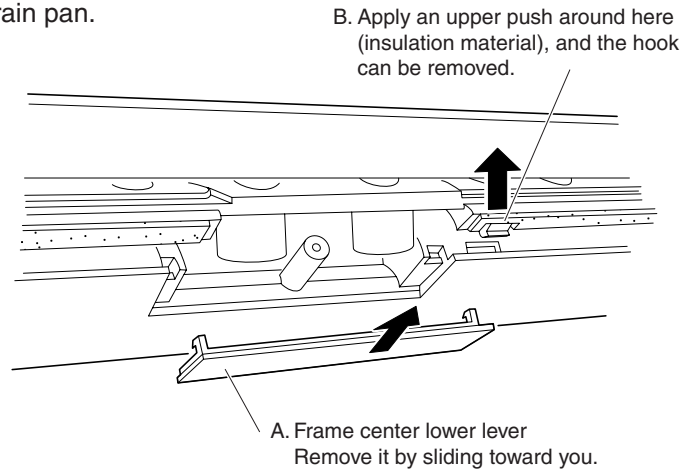
NOTE When mounting a new panel motor, make sure that the gear of the panel motor and that of the electrical component box cover firmly engage with each other.

8-5. Removing and Mounting the Drain Pan (Air Outlet Ass'y)

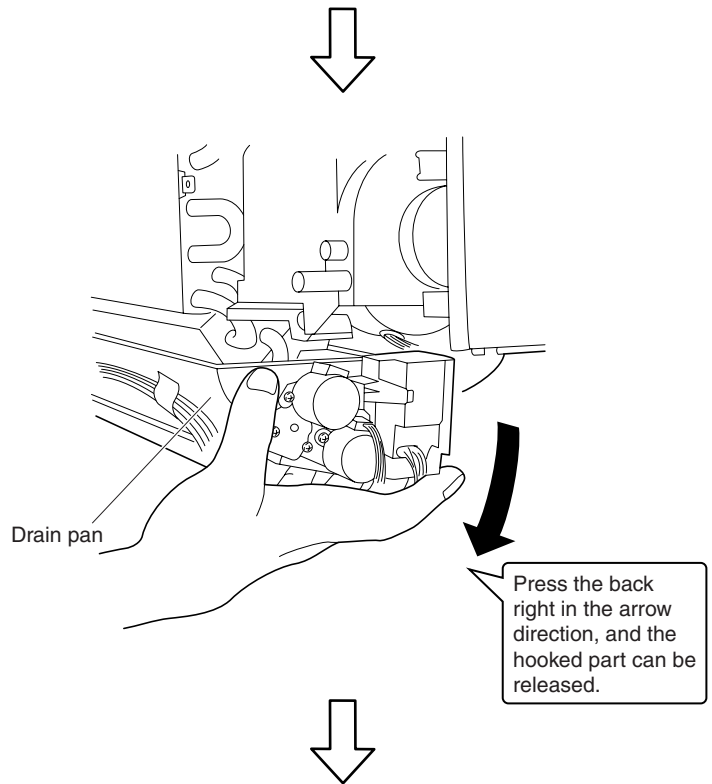
8-5-1. Removing the Drain Pan (Air Outlet Ass'y)

(1) Remove the hooks (1-1) to (1-3) which secure the drain pan.

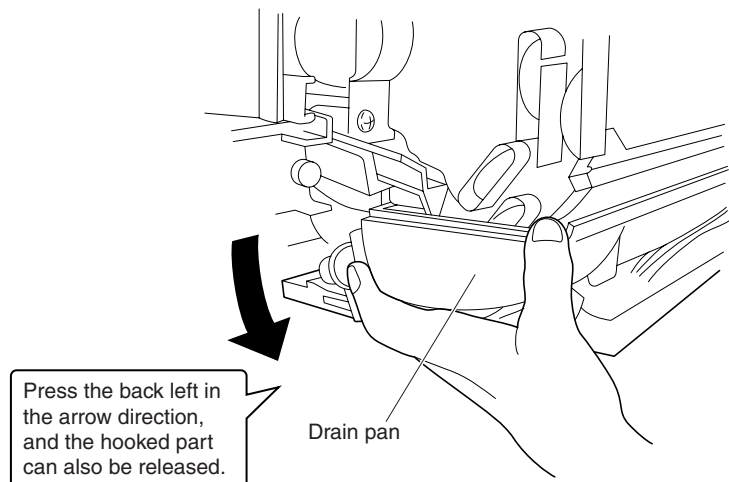
(1-1) Center part below the air outlet



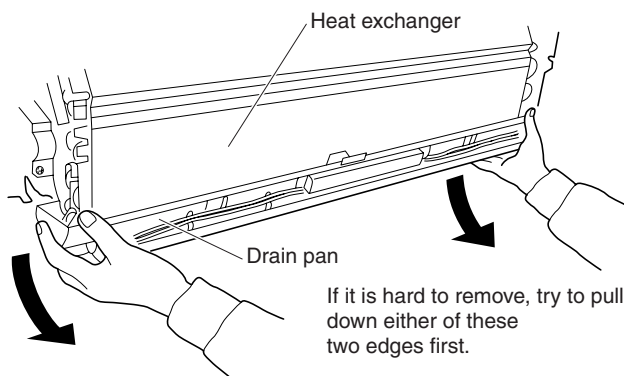
(1-2) Right side drain pan



(1-3) Left side drain pan



- (2) Remove the drain pan from the main body so as to roll over the left side first toward you.

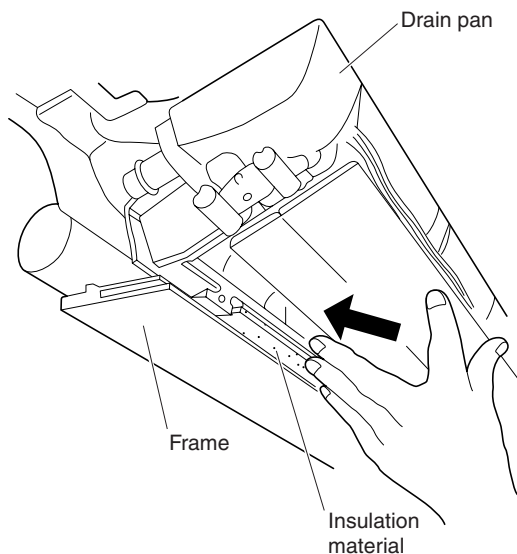
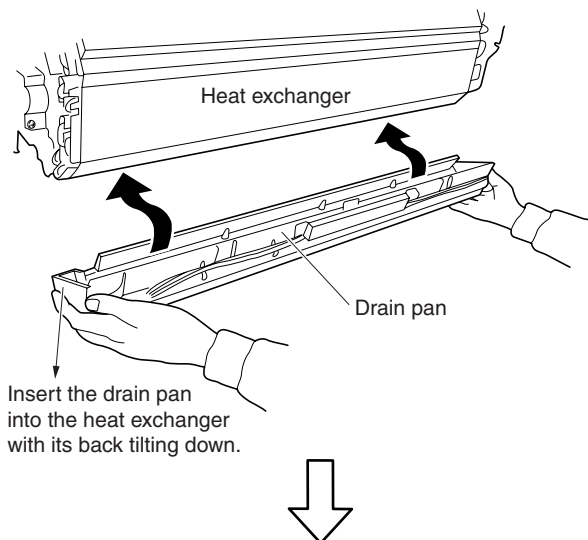


- (3) Remove the drain hose according to "(1) of 8-2. Removing and Mounting the Drain Hose."

NOTE Be careful not to spill the remaining water in the drain pan.

8-5-2. Mounting the Drain Pan (Air Outlet Ass'y)

- (1) Insert the drain pan from the bottom of the heat exchanger.

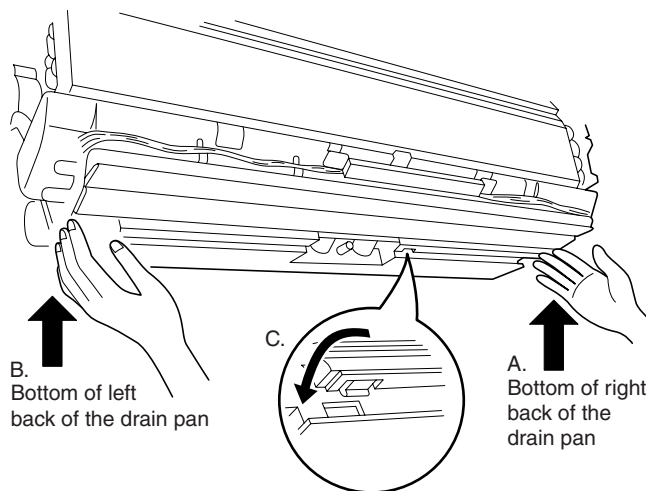


NOTE
While the drain pan is being inserted,
part of insulation material will touch the frame.



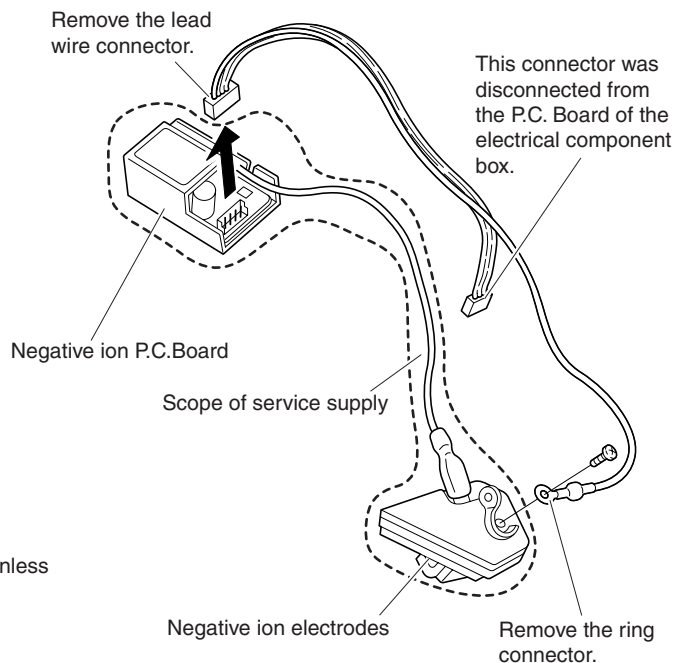
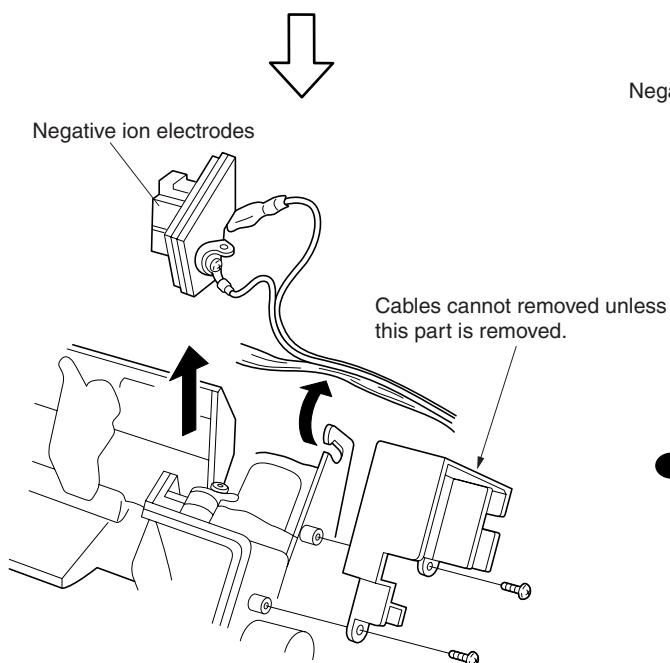
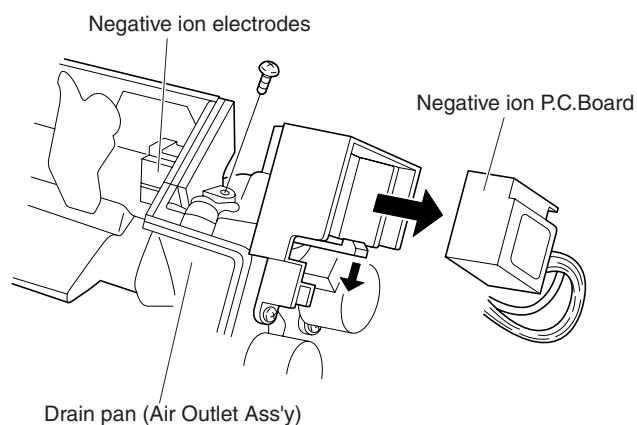
Push up the insulation material
with your finger so that it is put into place (for both sides).

- (2) Secure the drain pan to the hook.
 (2-1) Push up A and B in the figure one by one from underneath to secure them to the hook.
 (2-2) Also secure C to the hook.



8-6. Removing the Negative Ion Generator

Remove the negative ion electrodes and negative ion P.C.Board from the drain pan (Air Outlet Ass'y).



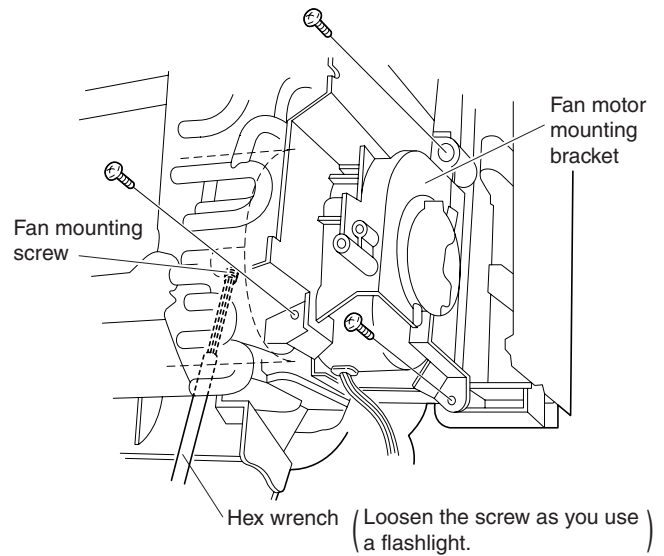
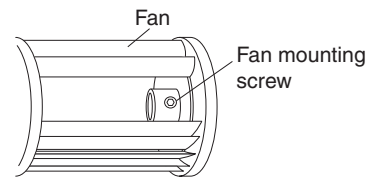
NOTE The negative ion generator is supplied with a set of negative ion electrodes and negative ion P.C.Board.

8-7. Removing and Mounting the Fan Motor

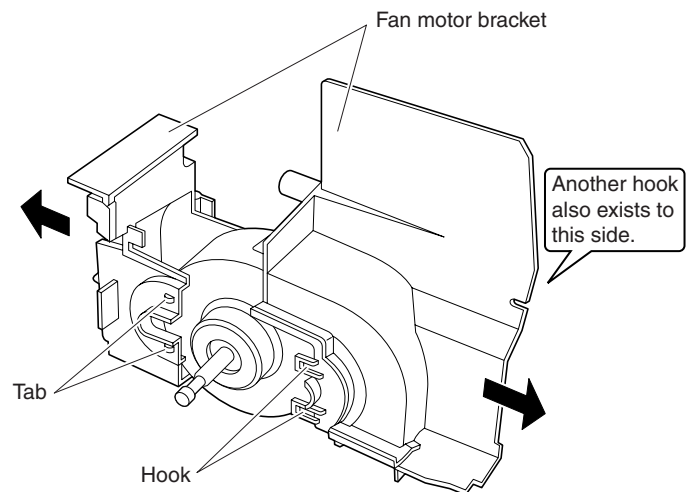
8-7-1. Removing the Fan Motor

Remove the electrical component box cover according to the previous section.

- (1) Loosen the fan mounting screw with a hex wrench of 2.5mm opposite side distance.
- (2) Remove three screws which secure the fan motor.
- (3) While removing the fan motor mounting bracket, pull out the fan motor shaft as well.

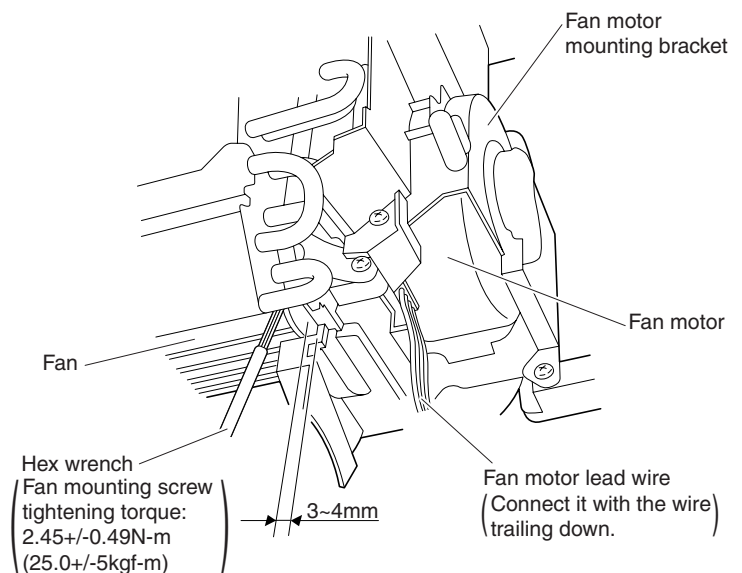


- (4) Remove the tab of the fan motor bracket and separate into two parts.



8-7-2. Mounting the Fan Motor

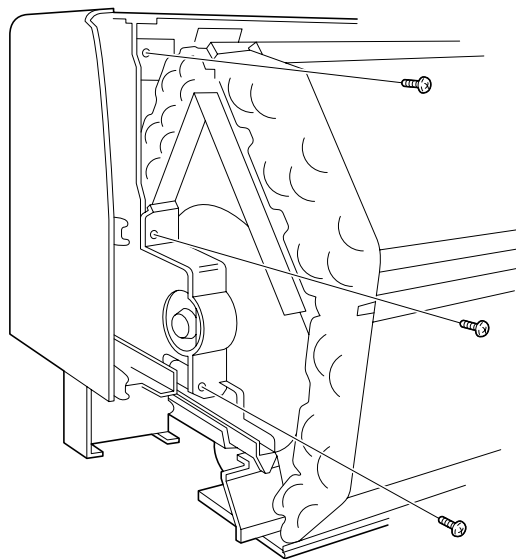
To mount the fan motor, reverse the steps for removal.



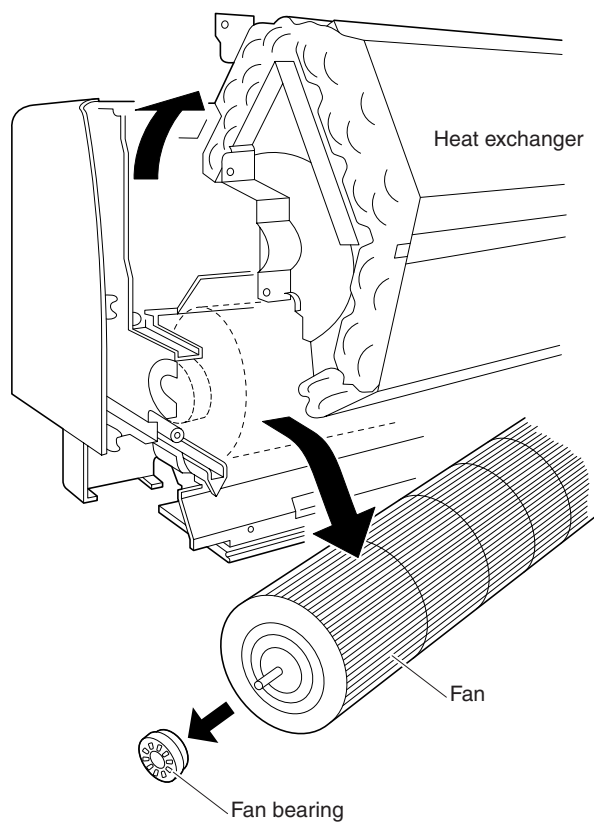
8-8. Removing the Fan

NOTE Be sure to proceed after having removed the drain pan (Air Outlet Ass'y) and fan motor according to sections "8-5. and 8-7."

(1) Remove three screws.

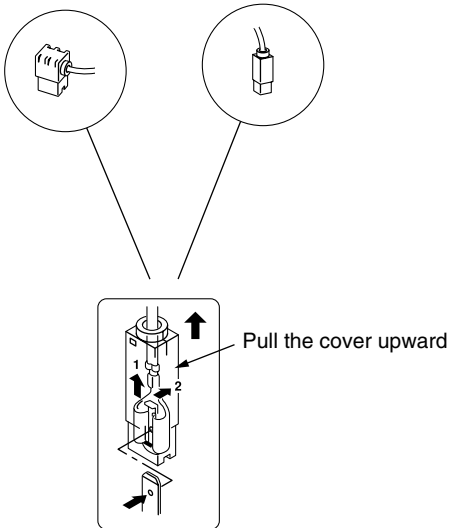


(2) Uphold the left side of the heat exchanger so that it is not seated anywhere (so as to remove the fan). Pull the fan bearing toward you and remove it, and remove the fan as pulling it from underneath.



NOTE When sliding the heat exchanger or removing the fan, be sure to wear work gloves so as not to injure your hands by fins of the heat exchanger.

8-9. Disconnecting and Connecting Positive Connector for Outdoor Unit



When the cover is pulled upward, the lock is released with the sequence of 1 and 2.

One of the two types of connectors illustrated at left is used. Their basic structure is the same for each.

How to Disconnect

Hold the resin connector cover, and pull the connector off. You cannot disconnect the connector by pulling the wire since it is locked inside. Always hold the cover to disconnect. (See illustration at left.) For the connector without the resin cover, push the lock in the direction of "2" while pulling it off.

How to Connect

In order to connect, hold the resin cover of the connector and push it in. Confirm the click sound for the inside lock.

9. FUNCTIONS

9-1. Operation Functions

Emergency operation

Emergency operation is available when the remote controller malfunctions, has been lost, or otherwise cannot be used.

To operate the system, press the OPERATION button, which is also used as the receiver, below the unit display. Each time this button is pressed, the OPERATION lamp changes color to indicate the type of operation. Select the desired type of operation.



- The set temperature is 2 °C below the detected room temperature in the case of cooling operation, and 2 °C above the room temperature in the case of heating operation. The flap and fan speed settings are AUTO.

AUTO cooling/heating operation

Selecting the operation mode

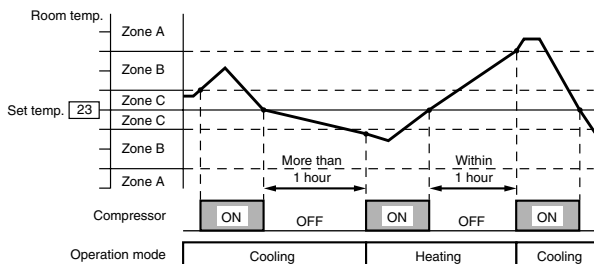
- When AUTO mode is selected, the microprocessor calculates the difference between the set temperature and the room temperature, and automatically switches to Cooling or Heating mode.

Room temp. \geq Set temp. \rightarrow COOL
 Room temp. $<$ Set temp. \rightarrow HEAT

- As shown by the example in the figure below, with AUTO cooling/heating operation, the mode changes between Heating and Cooling mode according to changes in the relationship between the current room temperature and the set temperature.

Example

Example of operation in AUTO mode with the set room temperature at 23 °C.

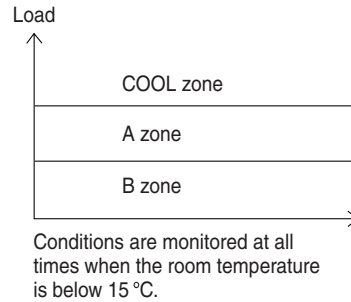


SENSOR DRY

During DRY operation, the system adjusts the room temperature and fan speed according to the conditions in the room, in order to maintain a comfortable room environment.

SENSOR DRY operation

- DRY operation is as shown in the figure below.



DRY A

The compressor operation frequency varies. The indoor fan operates with 1/f fluctuation.

DRY B

The compressor operates at a low operating frequency. The indoor fan operates with 1/f fluctuation.

Monitor

- Monitoring operation takes place when the room temperature is below 15 °C, or more than 3 °C below the set temperature.
- When the monitoring range is entered, the compressor stops, and the indoor fan operates with 1/f fluctuation.

NOTE

The Sensor Dry operation during the Low Ambient Cooling Mode (outside air temperature: 15 °C or lower) is as follows.

DRY A and DRY B

The compressor operates a cycle of 3 minutes ON and 6 minutes OFF repeatedly.

PAM- α control

- In order to further improve inverter performance, control is switched between PWM control at low operation speeds, and PAM control at high operation speeds, making the most effective use of power.

■ HIGH POWER

This function acts to raise the power but keeps the AC system in the same operating mode.

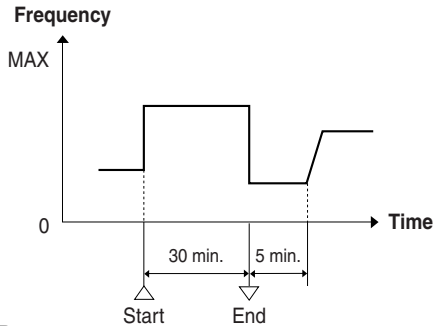
This function is set with the HIGH POWER button on the remote controller.

(It can be set regardless of the temperature and fan speed settings.)

● HIGH POWER operation from remote controller

The unit operates at maximum output for 30 minutes, regardless of the desired temperature.

The fan speed is 1 step above "High."



NOTE

- When HIGH POWER operation ends, the unit operates at low Hz for 5 minutes, regardless of the thermostat OFF conditions.
- When in DRY mode, operation is in the cooling zone.

■ Lamp colors

OPERATION lamp

HEAT operation	Red
DRY operation	Orange
COOL operation	Green
FAN operation	Green
DEFROSTING operation	Red and Orange alternately

TIMER lamp

Green

ION lamp

Green

ION lamp (FILTER)

Red

LED CLEAN lamp

Green

■ Timer backup

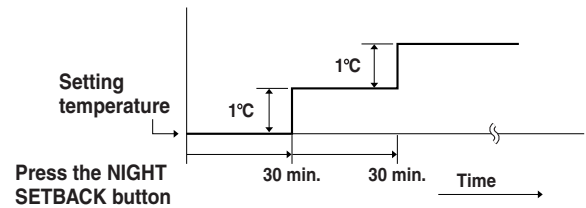
- Operation stops if there are no operator controls for 25 hours or longer after unit operation switched from OFF to ON by use of ON timer operation.

■ NIGHT SETBACK

- When NIGHT SETBACK operation is set, the temperature and fan speed settings will be adjusted automatically to allow comfortable sleep.
- When NIGHT SETBACK operation is set, "☺ mark" appears on the remote controller. The main unit display lamp also becomes dimmer.

● COOL and DRY modes

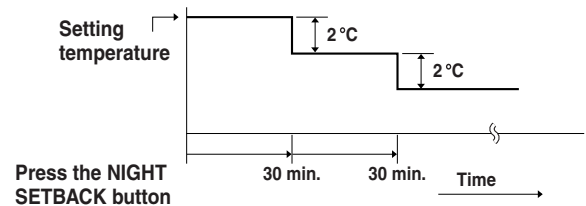
When the night setback mode is selected, the air conditioner automatically raises the temperature setting 1°C when 30 minutes have passed after the selection was made, and then another 1°C after another 30 minutes have passed, regardless of the indoor temperature when night setback was selected. This enables you to save energy without sacrificing comfort. This function is convenient when gentle cooling is needed.



Press the NIGHT SETBACK button

● HEAT mode

When the night setback mode is selected, the air conditioner automatically lowers the temperature setting 2°C when 30 minutes have passed after the selection was made, and then another 2°C after another 30 minutes have passed, regardless of the indoor temperature when night setback was selected. This enables you to save energy without sacrificing comfort. This function is convenient when gentle heating is needed.

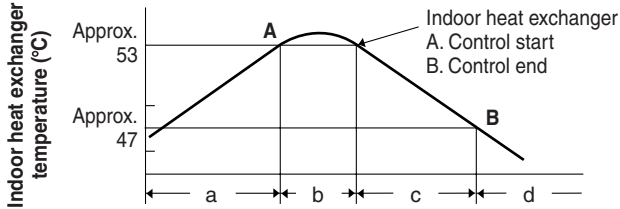


Press the NIGHT SETBACK button

9-2. Protective Functions

Overload prevention during heating

During HEAT operation, the temperature of the indoor heat exchanger is used to control the frequency and lessen the load on the compressor before the protective device is activated.

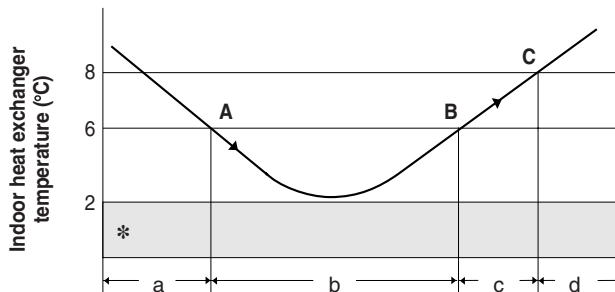


- Area: Automatic capacity control
- When Point A has been exceeded, the operation frequency is reduced by a certain proportion.
- Area: Frequency increase is prohibited.
- At Point B and below, overload prevention is ended and control is the same as in the a area.

Freeze prevention

During COOL or DRY operation, freezing is detected and operation is stopped when the temperature of the indoor heat exchanger matches the conditions below.

- Freeze-prevention operation is engaged when the temperature of the indoor heat exchanger is below 6 °C.
- Restart after freeze-prevention operation occurs when the temperature of the indoor heat exchanger reaches 8 °C or above.



- Area: Automatic capacity control
- When the temperature drops below Point A, the operation frequency is reduced by a certain proportion.
- Area: Frequency increase is prohibited.
- When the temperature reaches Point C or above, freezing prevention is ended and control is the same as in the a area.

* When the temperature drops to below 2 °C (continuously for 2 minutes or longer), the compressor stops. Once the freeze condition is detected, the air conditioner will work less than the maximum frequency until it is turned off.

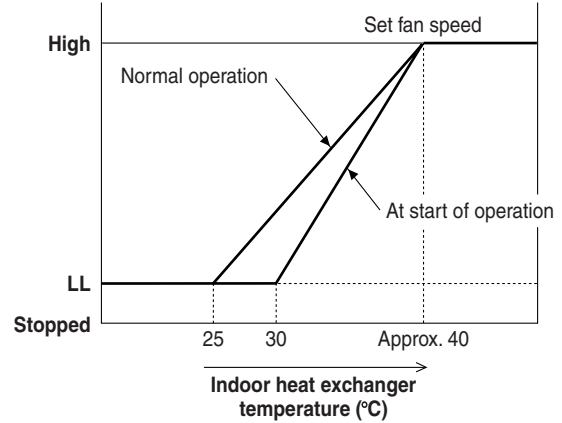
NOTE

The Freeze Prevention Control during the Low Ambient Cooling Mode (outside air temperature: 15 °C or lower) is as follows.

- The compressor stops when the temperature of indoor heat exchanger becomes less than 2 °C.
- The compressor restarts when the temperature of indoor heat exchanger becomes 8 °C or higher.

Cold-air prevention during heating

During heating, the fan speed is set to "LL" (very low) or stopped. As the temperature of the indoor heat exchanger rises, the fan speed is changed to the set speed.



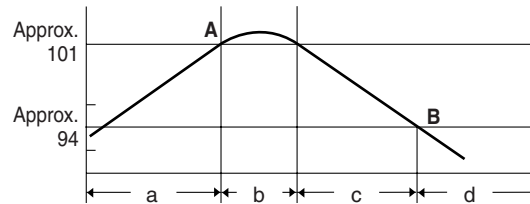
NOTE

- The fan speed is forcibly changed to "LL" beginning 30 seconds after the thermostat turns OFF.
- Normal operation refers to operation when the room temperature has approached the set temperature.
- When HEAT operation starts, the indoor fan is stopped until the temperature of the indoor heat exchanger reaches 20 °C or higher, or until the room temperature reaches 15 °C or higher.

Compressor discharge temperature control

This function controls the operation frequency to prevent the compressor discharge temperature from rising more than a specified temperature.

Compressor discharge temperature (°C)

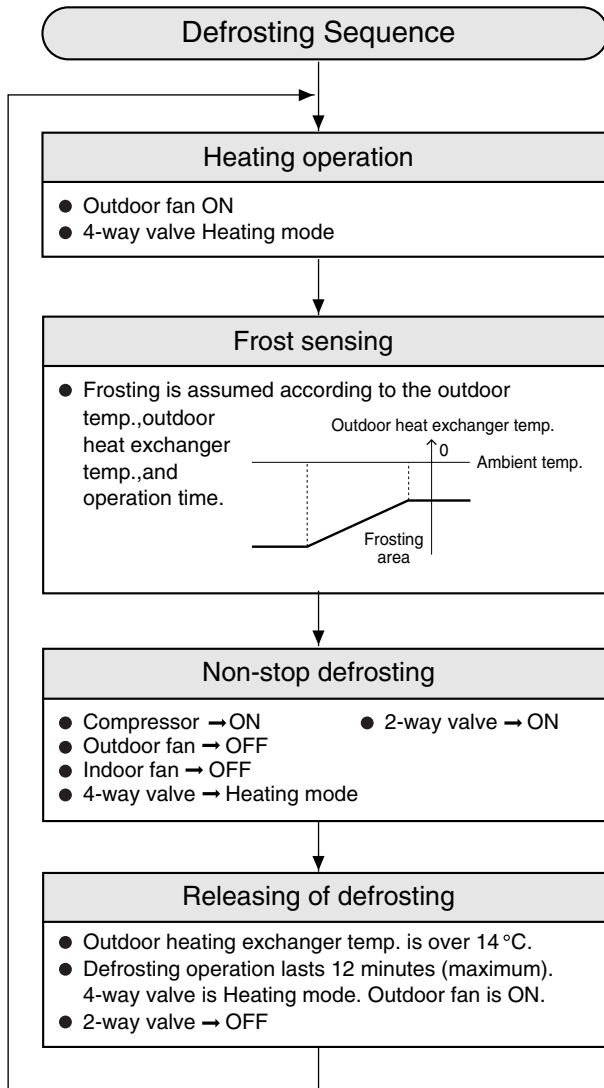


- Area: Automatic capacity control.
- When the temperature rises above Point A, the operation frequency is reduced at a specified rate.
- Area: Further frequency increase is prohibited.
- When the temperature falls below Point B, prevention of a rise in frequency is released and the air conditioner operates as in a area.

* The compressor will stop if the temperature of the compressor discharge exceeds 120 °C due to shortage of gas or other reason.

■ Defrost detection and release

● Non-Stop Defrosting



NOTE

If the air conditioner is turned off during the defrosting cycle, it will continue defrosting and turn itself off after defrosting is completed.

■ CT (Peak current cut-off control)

- This function prevents the circuit breaker or fuse from operating to open the circuit. This function works when electrical current has increased due to an increase in the cooling / heating load, or to a decrease in the power supply voltage. In these cases, operation frequency is reduced or operation is interrupted automatically to control the electrical current for operation.
- When the cause of the increase in electrical current is rectified, the system will resume operation in the original mode.

(A)

	Cooling · Dry	Heating
Peak current cut-off trips	17.5	
Hz down	12.2	14.0

NOTE Electrical current setting for COOL operation is used during DEFROST operation.

■ Operation Cut-Off Control in abnormal ambient temperature

- The following three protective actions are available to prevent the compressor from operating with abnormal loads. At that time, they initiate thermo-off (stopping the outdoor unit) of the air conditioner.

● Mode : Cooling

Cut-off action	Thermo-off t : ambient temp	Thermo-on t : ambient temp
Low ambient temp. cut-off	$t \leq -22 \text{ }^\circ\text{C}$	$t > -18 \text{ }^\circ\text{C}$

● Mode : Heating

Cut-off action	Thermo-off t : ambient temp	Thermo-on t : ambient temp
High ambient temp. cut-off	$t \geq 25 \text{ }^\circ\text{C}$	$t < 24 \text{ }^\circ\text{C}$
Low ambient temp. cut-off	$t \leq -20 \text{ }^\circ\text{C}$	$t > -16 \text{ }^\circ\text{C}$

10. TROUBLESHOOTING

10-1. Precautions before Performing Inspection or Repair

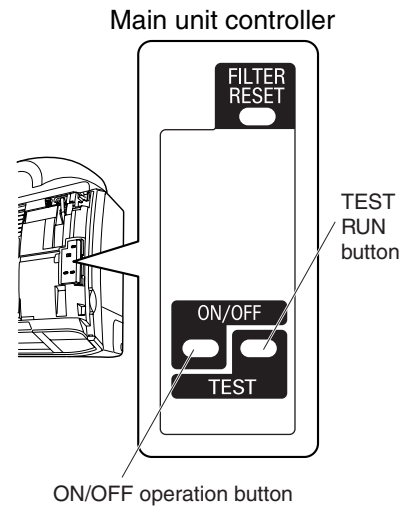
- After checking the self-diagnostics monitor, turn the power OFF before starting inspection or repair.
- High-capacity electrolytic capacitors are used inside the outdoor unit controller (inverter). They retain an electrical charge (charging voltage DC 310 V) even after the power is turned OFF, and some time is required for the charge to dissipate. Be careful not to touch any electrified parts before the controller LED (red) turns OFF.
If the outdoor controller is normal, approximately 30 seconds will be required for the charge to dissipate. However, allow at least 5 minutes for the charge to dissipate if there is thought to be any trouble with the outdoor controller.
After repairs are carried out, be sure to press and hold the TEST RUN button until the buzzer sounds 2 times to erase the diagnosis results.

10-2. Method of Self-Diagnostics

If the indoor unit operation lamp is blinking every 0.5 seconds, follow the procedure below to perform detailed trouble diagnostics.

NOTE

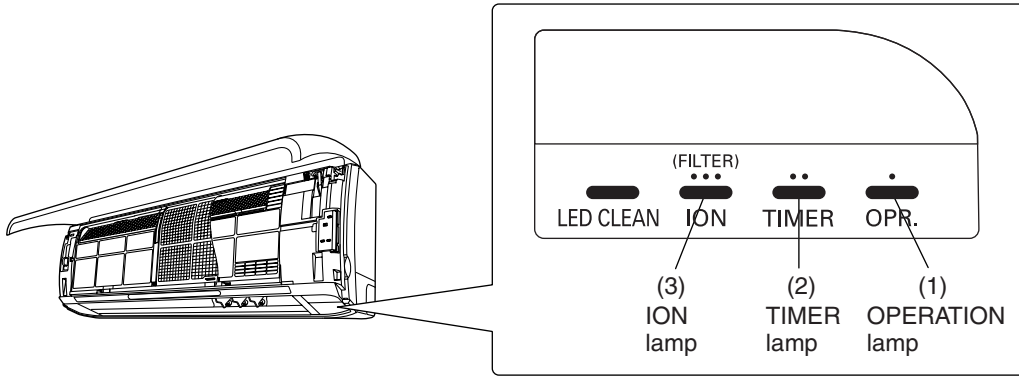
1. If the operation lamp blinks every 0.5 seconds immediately when the power is turned ON, there is an external ROM (OTP data) failure on the indoor circuit board or ROM socket insertion problem, or the ROM has not been installed. Make sure the ROM is in existence.
2. The failure mode is stored in memory even when the power is not ON. Follow the procedure below to perform diagnostics.



PROCEDURE

1. Turn the power supply switch ON. However, the A/C itself should remain stopped.
 2. Press and hold the TEST RUN button on the main unit controller until the buzzer sounds 1 time.
At this time, releasing the TEST RUN button starts self-diagnostics.
 3. If there is a sensor failure or a protective function has activated, self-diagnostics lamps 1, 2, and 3 will illuminate in the following pattern: 5 seconds blinking (illuminated) + 2 seconds OFF. (Buzzer sounds once while lamps are OFF.)
NOTE If there is no trouble, then self-diagnostics lamps 1, 2, and 3 do not illuminate, and the buzzer does not sound.
 4. Diagnostics is completed when the buzzer sounds 3 times.
- < **IMPORTANT** > After repairs are carried out, be sure to press and hold the TEST RUN button until the buzzer sounds 2 times. When the TEST RUN button is released, the buzzer sounds 1 long beep, and the diagnosis results are erased.

(1) Self-diagnostics Lamps

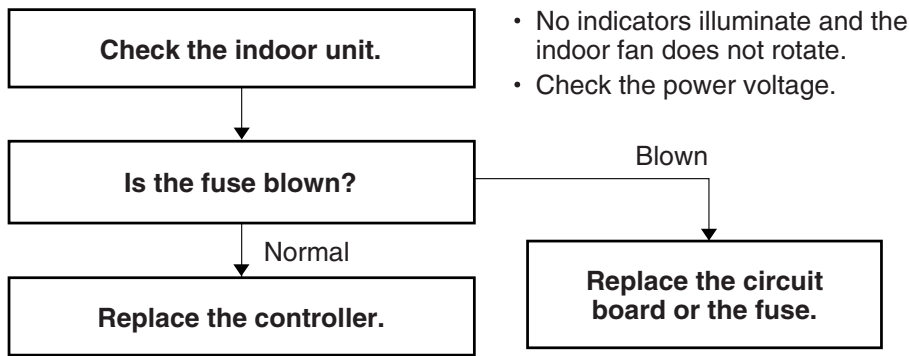


- If there is no trouble, the lamps neither blink nor illuminate.
- Since the indications cover various units, the corresponding parts listed below may not be present in some models.

Indication on indoor unit				⊗ ... OFF	⦿ ... Blinking	☀ ... Illuminated	
Ion ● ● ● (3)	Timer ● ● (2)	Operation ● (1)	Code	Diagnostics item	Diagnostics contents		
⊗	⊗	⦿	S01	Room temperature sensor failure	(1) Sensor open circuit or short circuit		
⊗	⦿	⊗	S02	Indoor heat exchanger sensor failure	(2) Contact failure at connector or open circuit at terminal crimping location (short-circuit detection only for the humidity sensor)		
⊗	⦿	⦿	S03	Humidity sensor failure			
⦿	⊗	⊗	S04	• Compressor temperature sensor failure • SH(Suction) sensor failure			
⦿	⊗	⦿	S05	Outdoor heat exchanger sensor failure			
⦿	⦿	⊗	S06	Outdoor air temperature sensor failure			
⦿	⦿	⦿	S07	Electrical current detection failure	(1) Operating frequency is 45 Hz or higher and less than 0.5 A of current is flowing.		
⊗	⊗	☀	E01	Indoor/outdoor communications failure (serial communications)	(1) Miswiring (2) AC power failure (3) Blown fuse (4) Power relay failure (5) Indoor or outdoor circuit board failure		
⊗	☀	⊗	E02	HIC circuit failure	(1) HIC or power Tr failure (2) Outdoor fan does not turn. (3) Instantaneous power outage (4) Service valve not opened. (5) Outdoor fan blocked. (6) Continuous overload operation (7) Compressor failure (8) Outdoor circuit board failure		
⊗	☀	☀	E03	Outdoor unit external ROM failure	(1) External ROM data failure (2) External ROM installation failure		
☀	⊗	⊗	E04	Peak current cut-off	(1) Operating current is 20 A or higher.		
☀	⊗	☀	E05	PAM circuit failure	(1) PAM circuit abnormal voltage (2) Protection for current		
☀	☀	⊗	E06	Compressor discharge overheat prevention activated.	(1) Electric expansion valve failure (2) Capillaries choked (3) Shortage of refrigerant		
☀	☀	☀	E07	• Indoor fan operating failure • Indoor zero-cross failure	(1) Locked fan motor (2) Contact failure at connector (3) Noise, instantaneous power blackout, or power waveform error due to lightning or other factor		
⦿	⦿	☀	E08	4-way valve switching failure	(1) 4-way valve failure (heat pump model only) (2) Indoor heat exchanger temperature sensor disconnected.		
⦿	☀	⦿	E09	No-refrigerant protection	(1) Service valve not opened. (2) Shortage of refrigerant		
⦿	☀	☀	E10	DC compressor drive circuit failure	(1) Open phase (2) Outdoor circuit board failure		
☀	⦿	⦿	E11	Outdoor fan operating failure	(1) Contact failure at connector (2) Outdoor circuit board failure		
☀	⦿	☀	E12	Outdoor system communications failure	(1) Miswiring in inter-unit (2) Outdoor circuit board failure		
☀	☀	⦿	E13	Freeze-prevention operation activated.	(1) Indoor fan system failure (2) Shortage of refrigerant (3) Low-temperature operation		

NOTE If the operation lamp (orange) continues to blink immediately after when the power source has been supplied to the air conditioner, there might be trouble with the external ROM (E14) in the indoor unit.

(2) If the self-diagnostics function fails to operate



10-3. Checking the Indoor and Outdoor Units

(1) Checking the indoor unit

No.	Control	Check items (unit operation)
1	Press EMERGENCY OPERATION button of main unit controller, or start operation using the remote controller.	<ul style="list-style-type: none"> The rated voltage must be present between inter-unit wirings 1 and 2. Connect a 5 kohm resistor between inter-unit cables 2 and 3. When the voltage at both ends is measured, approximately 12 to 15 V DC must be output and the multimeter pointer must bounce once every 8 seconds. Or instead of measuring the voltage, you can insert an LED jig and check that the LED flickers once every 8 seconds.
2	Press and hold the TEST RUN button on the main unit controller until the buzzer sounds 1 time.	

• If there are no problems with the above, then check the outdoor unit.

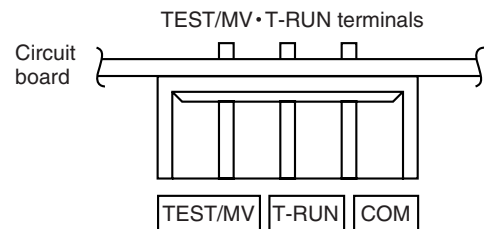
(2) Checking the outdoor unit

No.	Control	Check items (unit operation)
1	Apply the rated voltage between outdoor unit terminals 1 and 2.	• The control panel LED (red) must illuminate.
2	Short-circuit the outdoor unit COM terminal to the T-RUN terminal.	• The compressor and fan motor must turn ON about 5 seconds later after the terminals are shorted.

• If there are no problems with the above, then check the indoor unit.

• Using the TEST/T-RUN terminals

- T-RUN : Test run (compressor and fan motor turn ON).
- TEST/MV : Compresses time to 1/60th (accelerates operation by 60 times faster than normal). Fully opens the electric expansion valve.



(3) Checking the serial communications

→ Control 1 → Control 2 ✕ ... OFF ☉ ... Blinking ☀ ... Illuminated

Initial self-diagnostics			Short-circuit terminals 2 and 3 on the indoor unit terminal plate.			Short-circuit terminals 2 and 3 on the outdoor unit terminal plate.			Probable location of malfunction
Ion ● ● ● (3)	Timer ● ● (2)	Operation ● (1)	Ion ● ● ● (3)	Timer ● ● (2)	Operation ● (1)	Ion ● ● ● (3)	Timer ● ● (2)	Operation ● (1)	
✕	✕	☀	✕	✕	☀	—	—	—	Indoor unit circuit board failure
—	—	—	☀	☉	☀	☀	☉	☀	Outdoor unit circuit board failure
—	—	—	☀	☉	☀	✕	✕	☀	Failure (open circuit, contact failure, etc.) in the inter-unit wirings
☀	☉	☀	—	—	—	—	—	—	Outdoor unit circuit board failure

- Turn the power OFF before performing short circuiting work.
- During the self-diagnostics check, the check results are the first indication when the TEST RUN button is pressed until the buzzer sounds 1 time, after the power supply is ON.
- So that the check can be made quickly, indicators blink at first communication after power ON.
- Before performing the above checks, press the ON/OFF operation button of indoor unit or remote controller to operate the air conditioner, and check that AC 220 to 240V is output to terminals 1 and 2. If it is not output, there is a failure related to the indoor unit power.

10-4. Trouble Diagnosis of Indoor and Outdoor Fan Motor

10-4-1. Indoor Fan Motor

- This indoor DC fan motor contains an internal control PCB. Therefore, it is not possible to measure the coil resistance, and the following procedure should be used to check the motor.
- To perform diagnosis, operate the unit in cooling mode with indoor fan speed "High". Next, make sure that the indoor unit receive the signals from the remote controller when the ON/OFF operation button is pressed.

Important: (A) Turn OFF the power before connecting or disconnecting the motor connectors.
(B) When performing voltage measurement at the indoor controller connector for (3) in the table below, the DC motor will trip and voltage output will stop approximately 1 minute after operation is started. For this reason, to measure the voltage again, turn OFF the unit once using the remote controller, and then start the air conditioner again.

[Trouble symptom 1] The fan does not stop when the unit stops. → Indoor unit controller trouble.

[Trouble symptom 2] The fan motor does not rotate when the unit is operating.

(Diagnostic procedure)

* Disconnect the motor connectors and measure the voltage at the DC motor connectors on the indoor unit controller (3 locations).

Measurement location	Normal value
(1) Vm-Gnd: Between pin 1 and pin 3	DC 230 V or more
(2) Vcc-Gnd: Between pin 4 and pin 3	DC 14 V or more
(3) Vs-Gnd: Between pin 5 and pin 3	Fluctuation between DC 1.0 to 4.3 V

(Diagnostic results)

All of the above measured values are normal. → Fan motor trouble (Replace the motor.)

Any one of the above measured values is not normal. → Indoor unit controller trouble
(Replace the controller .)

(Reference) DC motor connector pin arrangement

Pin 1: Vm (red)
Pin 2: Not used
Pin 3: Gnd (black)
Pin 4: Vcc (white)
Pin 5: Vs (yellow)
Pin 6: PG (blue)

[Trouble symptom 3] Motor rotates for some time (several seconds), but then quickly stops, when the indoor unit operates.

(There is trouble in the system that provides feedback of motor rotation speed from the motor to the indoor unit controller.)

[Trouble symptom 4] Fan motor rotation speed does not change during indoor unit operation.

[Trouble symptom 5] Fan motor rotation speed varies excessively during indoor unit operation.

(Remedy for symptom 3 to 5)

It is not possible to identify whether the trouble is indoor unit controller trouble or motor trouble. Therefore, first replace the indoor unit controller, then (if necessary) replace the DC motor.

10-4-2. Outdoor Fan Motor

- This outdoor DC fan motor contains an internal control PCB. Therefore, it is not possible to measure the coil resistance, and the following procedure should be used to check the motor.
- To perform diagnosis, follow the instructions in "Checking the Outdoor Unit" on the previous page and set the outdoor unit to Test Run mode (compressor ON, outdoor fan motor ON).

Important: (A) Turn OFF the power before connecting or disconnecting the motor connectors.

(B) When performing voltage measurement at the outdoor controller connector for (3) in the table below, the DC motor will trip and voltage output will stop approximately 10 seconds after operation is started. For this reason, to measure the voltage again, first turn OFF the outdoor unit power, then follow the instructions in "Checking the Outdoor Unit" and again set the unit to Test Run mode.

[Trouble symptom 1] The fan does not stop when the outdoor unit stops. →Outdoor unit controller trouble

[Trouble symptom 2] The fan motor does not rotate when the outdoor unit is operating.

(Diagnostic procedure)

* Disconnect the motor connectors and measure the voltage at the DC motor connectors on the outdoor unit controller (3 locations).

Measurement location	Normal value
(1) Vs-Gnd: Between pin 1 and pin 4	DC 230 V or more
(2) Vcc-Gnd: Between pin 5 and pin 4	DC 14 V or more
(3) Vsp-Gnd: Between pin 7 and pin 4	After fluctuating 4 times between DC 1.0 to 4.3 V (1 sec. ON) and DC 0 V (1 sec. OFF), the DC motor trips.

(Diagnostic results)

All of the above measured values are normal. → Fan motor trouble (Replace the motor.)

Any one of the above measured values is not normal. → Outdoor unit controller trouble
(Replace the controller .)

(Reference)

DC motor connector pin arrangement

Pin 1: Vs (white)

Pin 2: Not used

Pin 3: Not used

Pin 4: Gnd (black)

Pin 5: Vcc (red)

Pin 6: FG (blue)

Pin 7: Vsp (yellow)

[Trouble symptom 3] Motor rotates for some time (several seconds), but then quickly stops, when the outdoor unit operates.

(There is trouble in the system that provides feedback of motor rotation speed from the motor to the outdoor unit controller.)

[Trouble symptom 4] Fan motor rotation speed does not change during outdoor unit operation.

[Trouble symptom 5] Fan motor rotation speed varies excessively during outdoor unit operation.

(Remedy for symptom 3 to 5)

It is not possible to identify whether the trouble is outdoor unit controller trouble or motor trouble.

Therefore, first replace the outdoor unit controller, then (if necessary) replace the DC motor.

10-5. Noise Malfunction and Electromagnetic Interference

An inverter A/C operates using pulse signal control and high frequencies. Therefore, it is susceptible to the effects of external noise, and is likely to cause electromagnetic interference with nearby wireless devices.

A noise filter is installed for ordinary use, preventing these problems. However, depending on the installation conditions, these effects may still occur. Please pay attention to the points listed below.

(1) Noise malfunction

This refers to the application of high-frequency noise to the signal wires, resulting in abnormal signal pulses and malfunction.

Locations most susceptible to noise	Trouble	Correction
<ol style="list-style-type: none"> Locations near broadcast stations where there are strong electromagnetic waves Locations near amateur radio (short wave) stations Locations near electronic sewing machines and arc-welding machines 	<p>Either of the following trouble may occur.</p> <ol style="list-style-type: none"> The unit may stop suddenly during operation. Indicator lamps may flicker. 	<p>(The fundamental concept is to make the system less susceptible to noise.)</p> <ul style="list-style-type: none"> Insulate for noise or distance from the noise source. - <ol style="list-style-type: none"> Use shielded wires. Move unit away from the noise source.

(2) Electromagnetic interference

This refers to noise generated by high-speed switching of the microcomputer and compressor. This noise radiates through space and returns to the electric wiring, affecting any wireless devices (televisions, radios, etc.) located nearby.

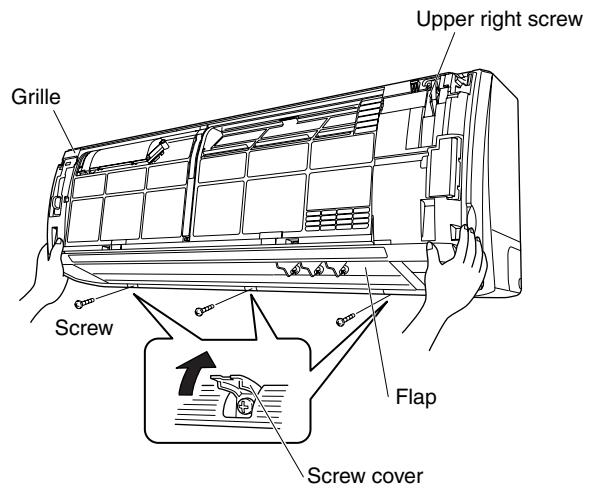
Locations most susceptible to noise	Trouble	Correction
<ol style="list-style-type: none"> A television or radio is located near the A/C and A/C wiring. The antenna cable for a television or radio is located close to the A/C and A/C wiring. Locations where television and radio signals are weak. 	<ol style="list-style-type: none"> Noise appears in the television picture, or the picture is distorted. Static occurs in the radio sound. 	<ol style="list-style-type: none"> Select a separate power source. Keep the A/C and A/C wiring at least 1 meter away from wireless devices and antenna cables. Change the wireless device's antenna to a high-sensitivity antenna. Change the antenna cable to a BS coaxial cable. Use a noise filter (for the wireless device). Use a signal booster.

10-6. Checking and Troubleshooting when the Front Panel fails to work

10-6-1. Checking the Front Panel when it fails to work during operation

(1) Is the grille mounted in place?

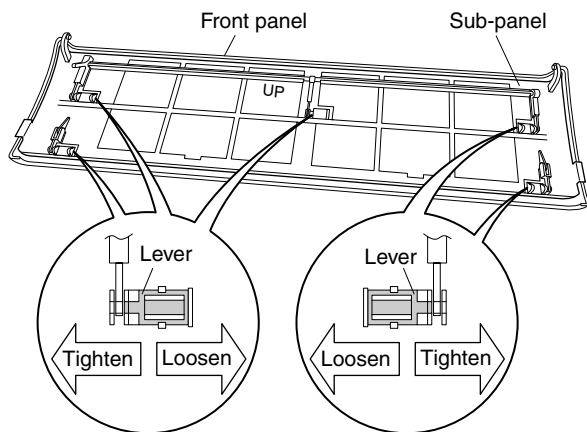
(Check in particular that the upper right screw is adequately tightened.)



(2) Are the five levers on the rear of the front panel tightened?

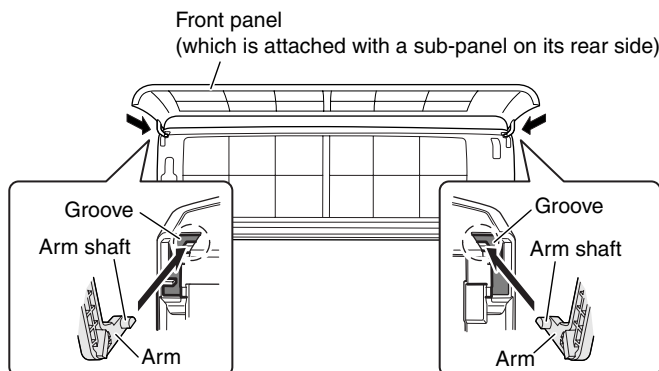
The figure shows the loosened condition.

If the levers are in loosen, the front panel does not work correctly.

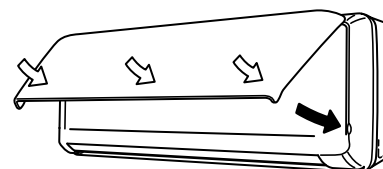


(3) Is the front panel correctly mounted?

1. Holding the part of the front panel adjacent to the arm. Next, press the arm shaft against the upper part of the groove which is located on the main body while keeping the front panel almost horizontally, and push it firmly until it makes a sound of being seated.

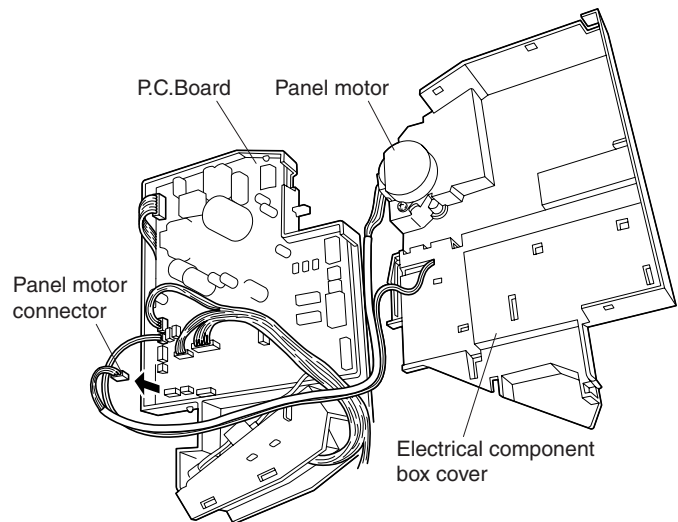


2. Close the front panel, and push at the arrow to firmly fix it.



10-6-2. Making a Diagnosis of the Panel Motor

- (1) If no abnormality was found in (1) to (3) of the previous section, then carry out diagnosis of the panel motor, which activated the front panel.
- (2) Remove the panel motor connector from the indoor P.C. Board.



NOTE For details, see "8-3. Removing the electrical component box" in Maintenance section.

- (3) Measuring coil resistance of the panel motor
Carry out measurement of the resistances as listed below:

Lead wire color	Coil Resistance(Ambient Temp.25 °C)
RED - ORG	130 +/- 7%
RED - PNK	
BRN - YEL	
BRN - BLU	

Judgment	When a measured coil resistance deviates from any of the listed values, replace the panel motor with new one.
-----------------	--

11. CHECKING ELECTRICAL COMPONENTS

11-1. Measurement of Insulation Resistance

- The insulation is in good condition if the resistance exceeds 1M ohm.

11-1-1. Power Supply Cord

Clamp the grounding wire of power cord with the lead clip of the insulation resistance tester and measure the resistance by placing a probe on either of the two power wires. (Fig. 1)

Then also measure the resistance between the grounding and other power terminals. (Fig. 1)

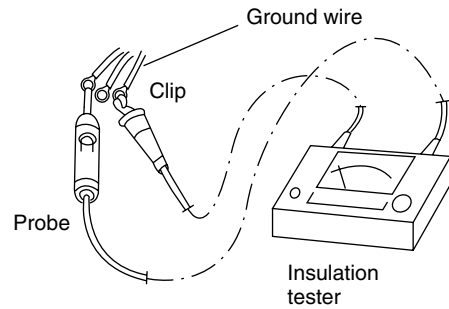


Fig. 1

11-1-2. Indoor Unit

Clamp an aluminum plate fin or copper tube with the lead clip of the insulation resistance tester and measure the resistance by placing a probe on each terminal screw where power supply lines are connected on the terminal plate. (Fig. 2)

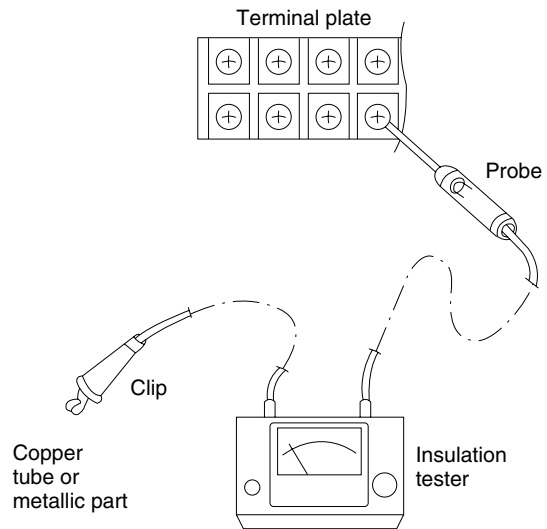


Fig. 2

11-1-3. Outdoor Unit

Clamp an aluminum plate fin or copper tube with the lead clip of the insulation resistance tester and measure the resistance by placing a probe on each terminal screw on the terminal plate. (Fig. 2)
Note that the ground line terminal should be skipped for the check.

11-1-4. Measurement of Insulation Resistance for Electrical Parts

Disconnect the lead wires of the desired electric part from terminal plate, capacitor, etc. Similarly disconnect the connector. Then measure the insulation resistance. (Figs. 3 and 4)

NOTE

Refer to Electric Wiring Diagram.
If the probe cannot enter the poles because the hole is too narrow then use a probe with a thinner pin.

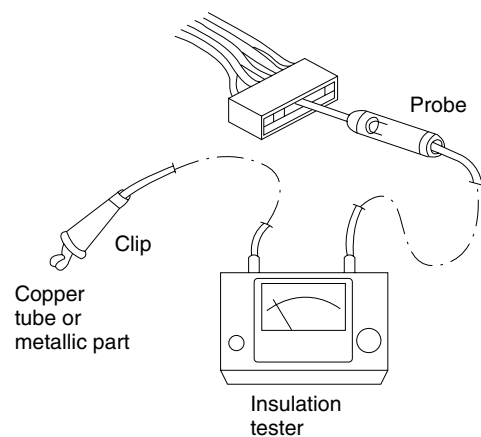


Fig. 3

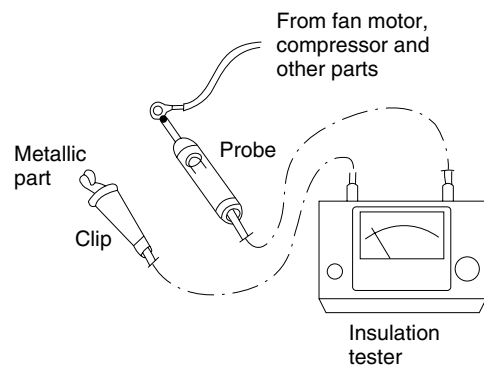


Fig. 4

11-2. Checking Continuity of Fuse on PCB Ass'y

- Remove the PCB Ass'y from the electrical component box. Then pull out the fuse from the PCB Ass'y. (Fig. 5)
- Check for continuity using a multimeter as shown in Fig. 6.

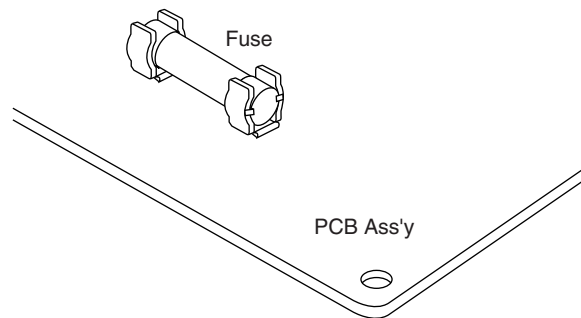


Fig. 5

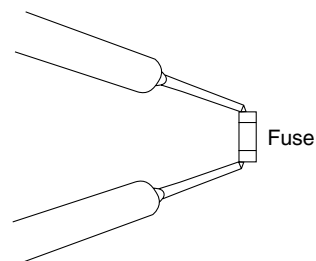


Fig. 6

12. REFRIGERANT R410A: SPECIAL PRECAUTIONS WHEN SERVICING UNIT

12-1. Characteristics of New Refrigerant R410A

12-1-1. What is New Refrigerant R410A?

R410A is a new refrigerant that contains two types of pseudo-non-azeotropic refrigerant mixture. Its refrigeration capacity and energy efficiency are about the same level as the conventional refrigerant, R22.

12-1-2. Components (mixing proportions)

HFC32 (50%) / HFC125 (50%)

12-1-3. Characteristics

- Less toxic, more chemically stable refrigerant
- The composition of refrigerant R410A changes whether it is in a gaseous phase or liquid phase. Thus, when there is a refrigerant leak the basic performance of the air conditioner may be degraded because of a change in composition of the remaining refrigerant. **Therefore, do not add new refrigerant.** Instead, recover the remaining refrigerant with the refrigerant recovery unit. Then, after evacuation, totally recharge the specified amount of refrigerant with the new refrigerant at its normal mixed composition state (in liquid phase).
- When refrigerant R410A is used, the composition will differ depending on whether it is in gaseous or liquid phase, and the basic performance of the air conditioner will be degraded if it is charged while the refrigerant is in gaseous state. **Thus, always charge the refrigerant while it is in liquid phase.**



CAUTION

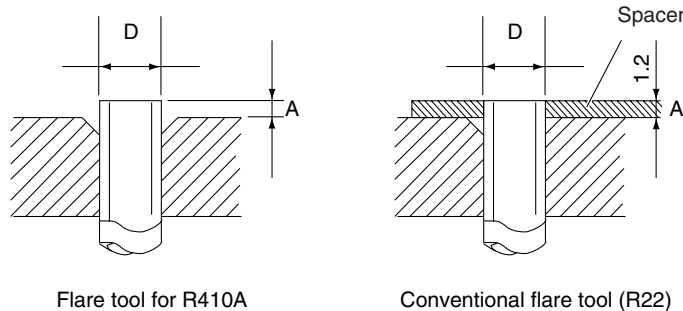
Ether-type oil is used for compressor oil for R410A-type units, which is different from the mineral oil used for R22. Thus more attention to moisture prevention and faster replacement work compared with conventional models are required.

12-2. Checklist before Servicing

Use a clutch-type flare tool for R410A or the conventional flare tool. Note that sizes of the resultant flares differ between these two tools. Where a conventional flare tool is used, make sure to observe A Specification (amount of extrusion) by using the flare spacer.

Diameter of tube D	A Specification	
	Flare tool for R410A	Conventional flare tool (for R22)
Dia.6.35 (1/4")	0 to 0.5 mm	1.0 to 1.5 mm
Dia.9.52 (3/8")	0 to 0.5 mm	1.0 to 1.5 mm

● Size of flare



- **Tubing precautions**

- Refrigerant R410A is more easily affected by dust or moisture compared with R22, thus be sure to temporarily cover the ends of the tubing with caps or tape prior to installation.

Never use 0.7mm-thick copper tubing or tubing which is less than 0.8mm in thickness, since air conditioners with R410A are subject to higher pressure than those using R22 and R407C.

- **No addition of compressor oil for R410A**

No additional charge of compressor oil is permitted.

- **No use of refrigerant other than R410A**

Never use a refrigerant other than R410A.

- **If refrigerant R410A is exposed to fire**

Through welding, etc., toxic gas may be released when R410A refrigerant is exposed to fire. Therefore, be sure to provide ample ventilation during installation work.

- **Caution in case of R410A leak**

Check for possible leak points with the special leak detector for R410A. If a leak occurs inside the room, immediately provide thorough ventilation.

12-3. Tools Specifically for R410A

- For servicing, use the following tools for R410A

Tool Distinction	Tool Name
Tools specifically for R410A	<ul style="list-style-type: none"> ● Gauge manifold ● Charging hose ● Gas leak detector ● Refrigerant cylinder ● Charging cylinder ● Refrigerant recovery unit ● Vacuum pump with anti-reverse flow (*1) (Solenoid valve-installed type, which prevents oil from flowing back into the unit when the power is off, is recommended.) ● Vacuum pump (*2)...can be used if the following adapter is attached. ● Vacuum pump adapter (reverse-flow prevention adapter) (*3). (Solenoid valve-installed adapter attached to a conventional vacuum pump.) ● Electronic scale for charging refrigerant ● Flare tool
Tools which can be commonly used for R22, R407C, and R410A	<ul style="list-style-type: none"> ● Bender ● Torque wrench ● Cutter, reamer ● Welding machine, nitrogen gas cylinder



CAUTION

- The above tools specifically for R410A must not be used for R22 and R407C. Doing so will cause malfunction of the unit.
 - For the above vacuum pump (*1, *2) and vacuum pump adapter (*3), those for R22-type units can be used for R410A-type. However, they must be used exclusively for R410A and never alternately with R22 and R407C.
- To prevent other refrigerants (R22, R407C) from being mistakenly charged to this unit, sizes of the service ports and flare nuts of the narrow tube service valve and wide tube service valve have been altered.

12-4. Tubing Installation Procedures

When the tubes are connected, ***always apply HAB oil on the flare portions to improve the sealing of tubing.***

The following is the **HAB oil** generally used:

Esso: ZERICE S32

NOTE

For details on tubing installation procedures, refer to the installation manuals attached to the indoor unit and outdoor unit.

12-5. In Case of Compressor Malfunction



CAUTION

- Should the compressor malfunction, be sure to make the switch to a replacement compressor as quickly as possible.
- Use only the tools indicated exclusively for R410A. → See "12-3. Tools Specifically for R410A."

12-5-1. Procedure for Replacing Compressor

(1) Recovering refrigerant

- Any remaining refrigerant inside the unit should not be released to the atmosphere, but recovered using the refrigerant recovery unit for R410A.
- Do not reuse the recovered refrigerant, since it will contain impurities.

(2) Replacing Compressor

- Soon after removing seals of both discharge and suction tubes of the new compressor, replace it quickly.

(3) Checking for sealing

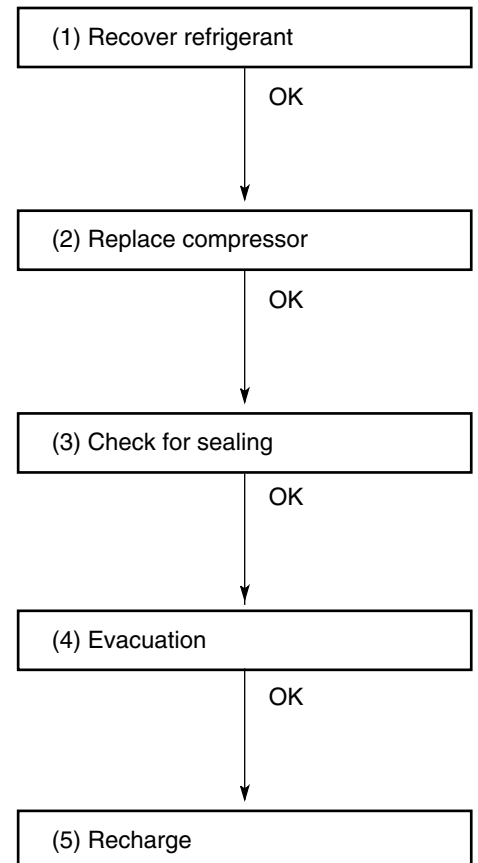
- Use nitrogen gas for the pressurized gas, and never use a refrigerant other than R410A. Also do not use oxygen or any flammable gas.

(4) Evacuation

- **Use a solenoid valve-installed vacuum pump** so that even if power is cut off in the middle of evacuation of air due to a power interruption, the valve will prevent the pump oil from flowing back.
- The equipment may be damaged if moisture remains in the tubing, thus carry out the evacuation thoroughly.
- When using a vacuum pump with exhaust air volume more than 25L/min. and ultimate vacuum pressure rate of 0.05Torr:

Standard time for evacuation

Length of tubing	Less than 10 meters	More than 10 meters
Time	More than 10 minutes	More than 15 minutes



(5) Recharging

- **Be sure to charge the specified amount of refrigerant in liquid state** using the service port of the wide tube service valve. The proper amount is listed on the unit's nameplate.

When the entire amount cannot be charged all at once, charge gradually while operating the unit in Cooling Operation.



CAUTION

Never charge a large amount of liquid refrigerant at once to the unit. This may cause damage to the compressor.

- When charging with a refrigerant cylinder, use an electronic scale for charging refrigerant. In this case, if the volume of refrigerant in the cylinder becomes less than 20% of the fully-charged amount, the composition of the refrigerant starts to change. Thus, **do not use the refrigerant if the amount in the charging cylinder is less than 20%.**

Also, charge the minimum necessary amount to the charging cylinder before using it to charge the air conditioning unit.

Example:

In case of charging refrigerant to a unit requiring 0.76Kg using a capacity of a 10Kg cylinder, the minimum necessary amount for the cylinder is:

$$0.76 + 10 \times 0.20 = 2.76\text{Kg}$$

For the remaining refrigerant, refer to the instructions of the refrigerant manufacturer.

- If using a charging cylinder, transfer the specified amount of liquid refrigerant from the refrigerant cylinder to the charging cylinder.

Prepare an evacuated charging cylinder beforehand.

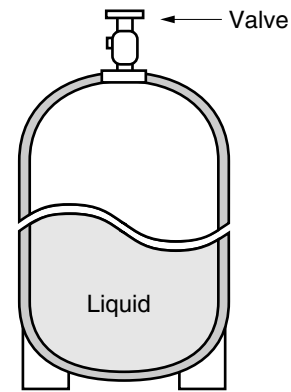


CAUTION

- **To prevent the composition of R410A from changing, never bleed the refrigerant gas into the atmosphere while transferring the refrigerant. (Fig. 3)**

Do not use the refrigerant if the amount in the charging cylinder is less than 20%.

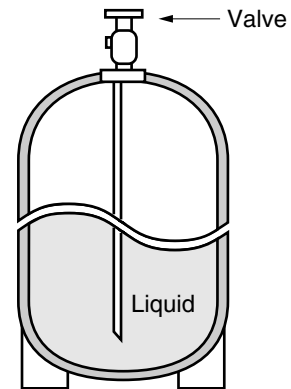
Configuration and characteristics of cylinders



Single valve

Charge liquid refrigerant with cylinder in up-side-down position.

Fig. 1



Single valve (with siphon tube)

Charge with cylinder in normal position.

Fig. 2

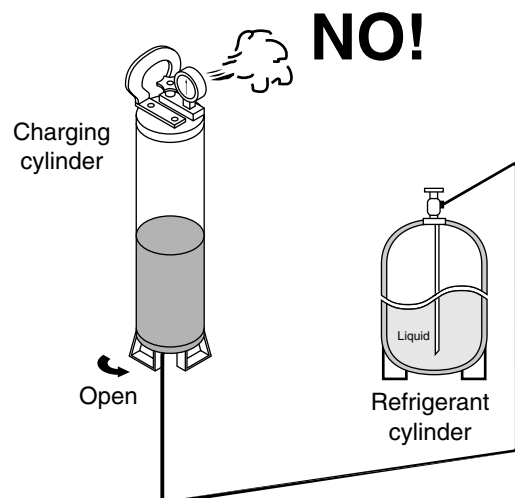


Fig. 3

12-6. In Case Refrigerant is Leaking



CAUTION

Never attempt to charge additional refrigerant when refrigerant has been leaking from the unit. Follow the procedure described below to locate points of leaks and carry out repairs, then recharge the refrigerant.

(1) Detecting Leaks

- Use the detector for R410A to locate refrigerant leak points.

(2) Recovering refrigerant

- Never release the gas to the atmosphere; recover residual refrigerant using the refrigerant recovery unit for R410A, instead.
- Do not reuse the recovered refrigerant because its composition will have been altered.

(3) Welding leaking points

- Confirm again that no residual refrigerant exists in the unit before starting welding.
- Weld securely using flux and wax for R410A.
- Prevent oxide film from forming inside the tubes utilizing substitution with nitrogen (N₂) in the refrigerant circuit of the unit. Leave ends of tubes open during welding.

(4) Checking for sealing

- Use nitrogen gas for the pressurized gas, and never use a refrigerant other than R410A. Also do not use oxygen or any flammable gas.

(5) Evacuation

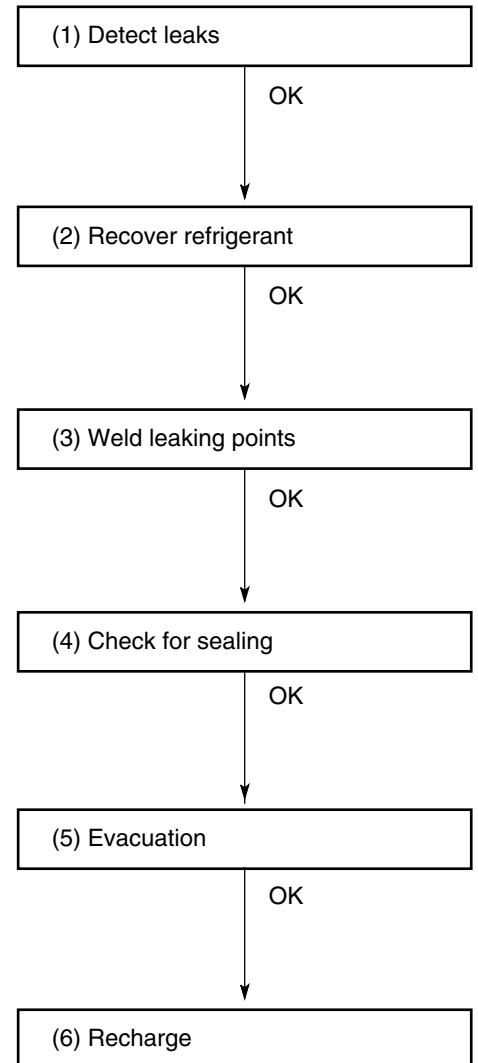
- **Use a solenoid valve-installed vacuum pump** so that even if power is cut off in the middle of evacuation of air due to a power interruption, the valve will prevent the pump oil from flowing back.
- The equipment may be damaged if moisture remains in the tubing, thus carry out the evacuation thoroughly.
- When using a vacuum pump with exhaust air volume more than 25L/min. and ultimate vacuum pressure rate of 0.05Torr:

Standard time for evacuation

Length of tubing	Less than 10 meters	More than 10 meters
Time	More than 10 minutes	More than 15 minutes

(6) Recharging

- Recharge unit in the same manner explained on the previous page "(5) Recharging."



12-7. Charging Additional Refrigerant

12-7-1. When Tubes are Extended

- Observe the proper amount of refrigerant as stated in this service manual or the installation manual that came with the indoor unit. **Charge additional refrigerant in liquid state only.**



CAUTION

Never charge additional refrigerant if refrigerant is leaking from the unit. Follow instructions given in "12-6. In Case Refrigerant is Leaking" and completely carry out repairs. Only then should you recharge the refrigerant.

12-8. Retro-Fitting Existing Systems

12-8-1. Use of Existing Units

- **Never use new refrigerant R410A for existing units which use R22.** This will cause the air conditioner to operate improperly and may result in a hazardous condition.

12-8-2. Use of Existing Tubing

- If replacing an older unit that used refrigerant R22 with a R410A unit, **do not use its existing tubing.** Instead, completely new tubing must be used.

APPENDIX INSTRUCTION MANUAL

SAP-KRV94EHD X + SAP-CRV94EHD X
SAP-KRV124EHD X + SAP-CRV124EHD X

(OI-852-6-4180-791-00-0)

Features

This air conditioner is an inverter type unit that automatically adjusts capability as appropriate. Details on these functions are provided below; refer to these descriptions when using the air conditioner.

- **Microprocessor Controlled Operation**
The interior compartment of the remote control unit contains several features to facilitate automatic operation, easy logically displayed for easy use.
- **Simple One-touch Wireless Remote Control**
The remote control unit has several features to facilitate automatic operation.
- **One time or Everyday Timer**
This timer can be set to automatically turn the unit on or off at only one set time (One time) or at a daily set time (Everyday).
- **1, 2, 3, 5-Hour OFF Timer**
This timer can be set to automatically turn off the unit any time after 1, 2, 3 or 5 hours.
- **Night Setback**
Pressing this button changes the setting of the room temperature thermostat, allowing you to set the temperature at whatever level that you find comfortable.
- **Automatic and 3-step Fan Speed**
Auto/High/Medium/Low
- **Air Sweep Control**
This function moves a flap up and down/left and right in the air outlet, directing air in a sweeping motion around the room and providing comfort in every corner.
- **Auto. Flap Control**
This automatically sets the flap to the optimum position during heating, cooling, and drying operation.
- **Automatic Switching between Cooling and Heating**
This unit automatically switches between cooling operation and heating operation according to the difference between the room temperature and the temperature setting.
- **Hot Start Heating System**
Right from the start, the air is warm and comfortable. This system prevents any cold blasts at the beginning while the heat pump is warming up, or even defrosting.
- **Automatic Restart Function for Power Failure**
Even when power failure occurs, preset programmed operation can be reactivated once power resumes.
- **High Power Operation**
If not in Auto Operation, the unit operates at maximum output for 30 minutes, regardless of the desired temperature.
The fan speed is 1 step above "High".
- **Quiet Operation**
The fan rotates slower than the fan speed setting to provide a quieter operating sound.
- **CHILD LOCK**
This function is to tamperproof and protect the unit from being incorrectly operated. All key access functions are invalid while this lock function is in operation.
- **ION Operation**
While it is operating, the unit generates negative ions that freshen up the air in the room.
- **LED Clean Operation**
During operation, the UV anti-bacteria unit is activated for one hour and cleans the air blown from the air conditioner.
- **Anti-Mold Filter**
This unit is equipped with an anti-mold filter that inhibits the growth of mold and bacteria.
- **Air Clean Filter**
An air filter that eliminates unpleasant odors and cleans the air is available.
Purchase a replacement filter at your local dealer. (model **STK-FDXB**)

Contents

	Page
Features.....	2
Product Information.....	3
Alert Symbols.....	3
Installation Location.....	4
Electrical Requirements.....	4
Safety Instructions.....	4
Names of Parts.....	5
Using the Remote Control Unit.....	10
Operation with the Remote Control Unit.....	12
1. Automatic Operation.....	12
2. Manual Operation.....	13
3. Adjusting the Fan Speed.....	14
4. Fan Only.....	14
5. Night Setback Mode.....	15
6. QUIET Mode.....	16
7. HIGH POWER Mode.....	16
8. ION Mode.....	16
9. LED CLEAN Mode.....	16
Special Remarks.....	17
Setting the Timer.....	18
Using the 1.2.3.5-Hour OFF Timer.....	20
Tips for Energy Saving.....	20
Adjusting the Airflow Direction.....	21
Operation without the Remote Control Unit.....	22
Care and Cleaning.....	22
Troubleshooting.....	25
Operating Range.....	25

EG

Product Information

If you have problems or questions concerning your Air Conditioner, you will need the following information. Model and serial numbers are on the nameplate on the bottom of the cabinet.

Model No. _____ Serial No. _____

Date of purchase _____

Dealer's address _____

Phone number _____

DECLARATION OF CONFORMITY

This product is marked « **CE** » as it satisfies EEC Directive No. 89/336/ EEC, 73/23/EEC, 93/68/EEC and 92/31/EEC.

This declaration will become void in case of mis-usage and/or from non observance though partial of Manufacturer's installation and/or operating instructions.

Alert Symbols

The following symbols used in this manual, alert you to potentially dangerous conditions to users, service personnel or the appliance:



This symbol refers to a hazard or unsafe practice which can result in severe personal injury or death.



This symbol refers to a hazard or unsafe practice which can result in personal injury or product or property damage.

Installation Location

- We recommend that this air conditioner be installed properly by qualified installation technicians in accordance with the Installation Instructions provided with the unit.
- Before installation, check that the voltage of the electric supply in your home or office is the same as the voltage shown on the nameplate.



WARNING

- Do not install this air conditioner where there are fumes or flammable gases, or in an extremely humid space such as a greenhouse.
- Do not install the air conditioner where excessively high heat-generating objects are placed.

Avoid: To protect the air conditioner from heavy corrosion, avoid installing the outdoor unit where salty sea water can splash directly onto it or in sulphurous air near a spa.

Electrical Requirements

1. All wiring must conform to the local electrical codes. Consult your dealer or a qualified electrician for details.
2. Each unit must be properly grounded with a ground (or earth) wire or through the supply wiring.
3. Wiring must be done by a qualified electrician.

Safety Instructions

- Read this Instruction Manual carefully before using this air conditioner. If you still have any difficulties or problems, consult your dealer for help.
- This air conditioner is designed to give you comfortable room conditions. Use this only for its intended purpose as described in this Instruction Manual.



WARNING

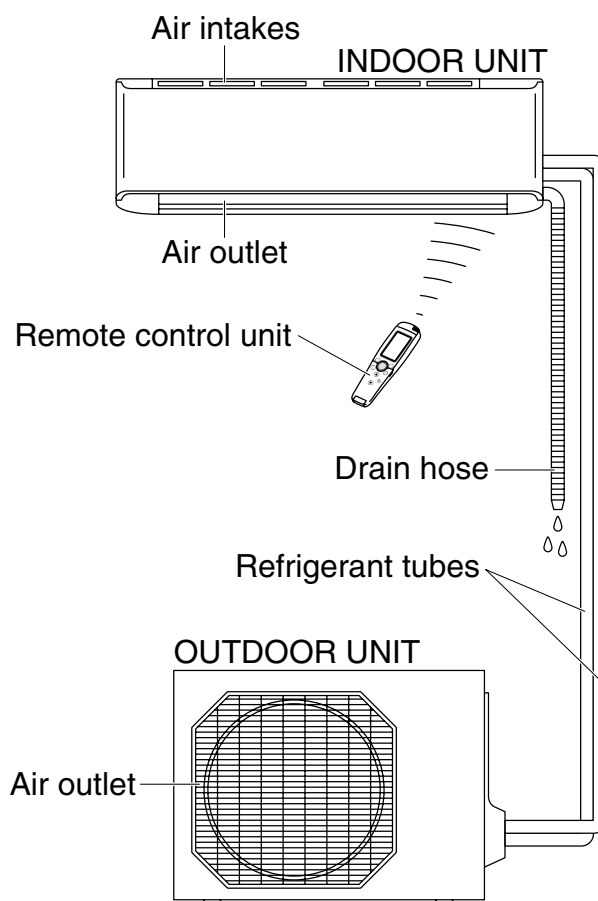
- Never use or store gasoline or other flammable vapor or liquid near the air conditioner — it is very dangerous.
- This air conditioner has no ventilator for intaking fresh air from outdoors. You must open doors or windows frequently when you use gas or oil heating appliances in the same room, which consume a lot of oxygen from the air. Otherwise there is a risk of suffocation in an extreme case.



CAUTION

- Do not turn the air conditioner on and off from the power mains switch. Use the ON/OFF operation button.
- Do not stick anything into the air outlet of the outdoor unit. This is dangerous because the fan is rotating at high speed.
- Do not let children play with the air conditioner.
- Do not cool or heat the room too much if babies or invalids are present.

Names of Parts



EG

NOTE

This illustration is based on the external view of a standard model. Consequently, the shape may differ from that of the air conditioner which you have selected.

This air conditioner consists of an indoor unit and an outdoor unit. You can control the air conditioner with the remote control unit.

Air Intake	Air from the room is drawn into this section and passes through air filters which remove dust.
Air Outlet	Conditioned air is blown out of the air conditioner through the air outlet.
Remote Control Unit	The wireless remote control unit controls power ON/OFF, operation mode selection, temperature, fan speed, timer setting, and air sweeping.
Refrigerant Tubes	The indoor and outdoor units are connected by copper tubes through which refrigerant gas flows.
Drain Hose	Moisture in the room condenses and drains off through this hose.
Outdoor (Condensing) Unit	The outdoor unit contains the compressor, fan motor, heat exchanger coil, and other electrical components.

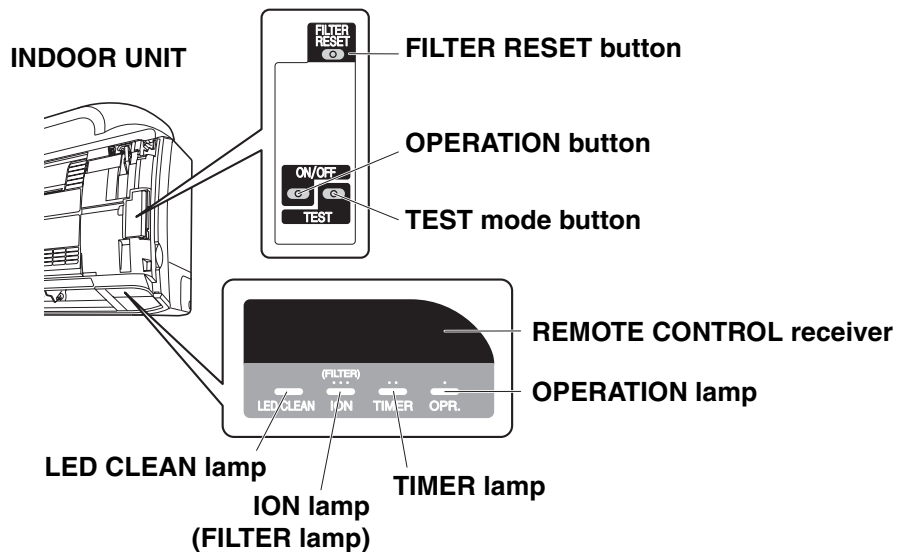
Unit Display and Operation Button



IMPORTANT

Avoid using radio equipment such as mobile phone near (within 1 m) the remote control receiver. Some radio equipment may cause malfunction of the unit.

If the trouble happens, disconnect power and restart the air conditioner after a few minutes.

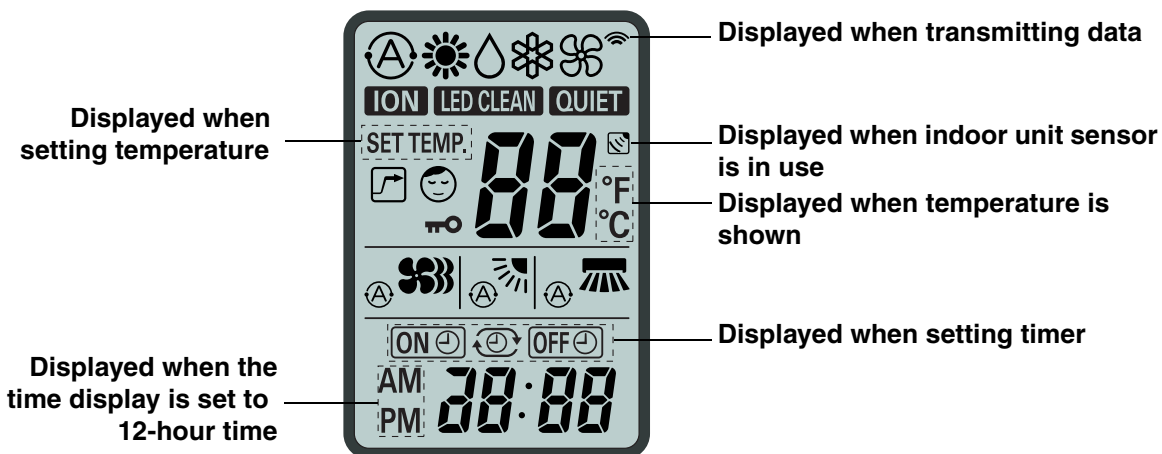


<p>REMOTE CONTROL receiver</p>	<p>This section picks up infrared signals from the remote control unit (transmitter).</p>
<p>OPERATION button</p>	<p>When the remote control cannot be used, pressing this button with a small pointed tool enables heating and cooling operation.</p> <p>Each time this button is pressed, the type of operation conducted is indicated by the changing color of the OPERATION lamp. Press the button and select the lamp color that suits your preference for operation.</p> <p style="text-align: center;"> Cooling operation (green) → Heating operation (red) → Stop (lamp off) </p> <p style="text-align: center;"> </p> <p>CAUTION</p> <p>Do not set at the TEST mode for normal operation.</p> <p>This mode is used only when servicing the air conditioner.</p>
<p>OPERATION lamp</p>	<p>This lamp lights when the system is in the continuous AUTO (red or green), HEAT (red), DRY (orange), COOL (green) and FAN (green) mode. The OPERATION lamp lights up red and orange alternately when the system is defrosting.</p>
<p>TIMER lamp</p>	<p>This lamp lights when the system is being controlled by the timer.</p>
<p>LED CLEAN lamp</p>	<p>This lamp lights during operation in the UV anti-bacterial mode.</p>
<p>ION lamp</p>	<p>This lamp lights during operation in ION mode while the indoor unit is operating.</p>

NOTE

- The front panel of the indoor unit operates automatically when starting and stopping operation. The panel opens slightly when operation starts, and closes when operation stops.
- The unit's display lamps are dimmed during operation in the NIGHT SETBACK mode.

Remote Control Unit (Display)



EG

Symbols

(1) Operation mode

AUTO	
HEAT	
MILD DRY	
COOL	
FAN	

(2) Fan speed

Automatic operation	
HIGH	
MEDIUM	
LOW	

(3) Temperature setting

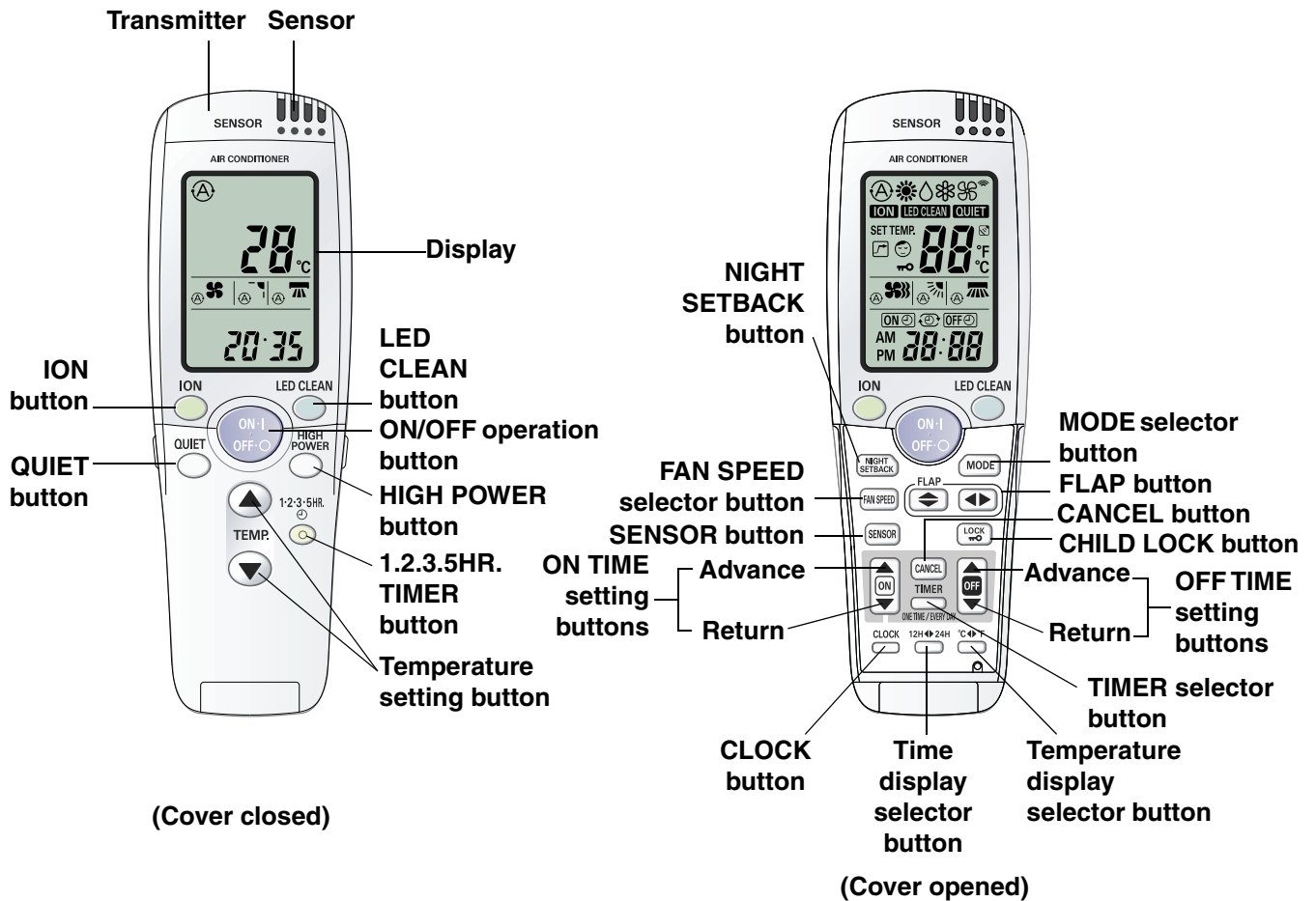
16 – 30 °C	
When set to 28 °C	
temperature indication	

(4) Timer




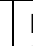
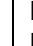
24-hour clock with ON/OFF program Timer	
ON Timer	
OFF Timer	

(5) NIGHT SETBACK	
(6) Confirmation of transmission	
(7) Auto. flap left/right indication	
Flap angle indication	
Sweep indication	
(8) Auto. flap up/down indication	
Flap angle indication	
Sweep indication	
(9) High power operation	
(10) Indoor unit sensor	
(11) Child lock	
(12) ION operation	
(13) LED clean operation	
(14) Quiet operation	

Remote Control Unit

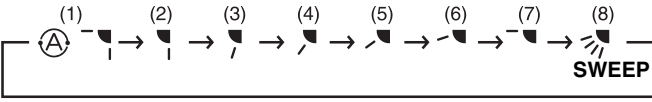
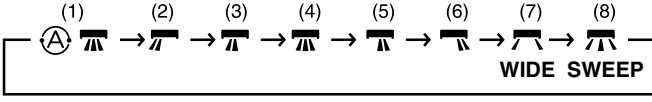


<Cover closed>

Transmitter	When you press the buttons on the remote control unit, the  mark appears in the display to transmit the setting changes to the receiver in the air conditioner.
Sensor	A temperature sensor inside the remote control unit senses the room temperature.
Display	Information on the operating conditions is displayed while the remote control unit is switched on. If the unit is turned off, FLAP setting and FAN SPEED setting are not displayed.
ION button	ION : This button is for turning the negative ions generated during operation on and off.
ON/OFF operation button	This button is for turning the air conditioner on and off.
1.2.3.5HR. TIMER button (1.2.3.5-HOUR OFF TIMER)	 : When you press this button, regardless of whether the unit is on or off, the unit operates for 1, 2, 3 or 5 hours and then shuts down.
LED CLEAN button	LED CLEAN : If this button is pressed during AUTO, HEAT, DRY, COOL or FAN operation, the UV anti-bacterial unit is activated for one hour and cleans the air blown from the air conditioner.
HIGH POWER button	 : If this button is pressed during HEAT, DRY, COOL or FAN operation, the unit operates at maximum output for 30 minutes, regardless of the desired temperature. The fan speed is 1step above "HIGH".
Temperature setting buttons (TEMP.)	Press the  button to increase the set temperature. Press the  button to reduce the set temperature. For details, see Automatic operation and Manual operation.
QUIET button	QUIET : When you press this button, the fan rotates slower than the fan speed setting to provide a quieter operating sound.




Remote Control Unit (continued)

<Cover opened>

<p>ON TIME/OFF TIME setting buttons</p>	<p>No display: The timer does not operate.</p> <p> : The air conditioner starts at the set time.</p> <p> : The air conditioner stops at the set time.</p> <p> : The air conditioner stops and starts, or starts and stops, at the set times every day. For details, see “Setting the Timer”.</p>
<p>MODE selector button (AUTO)</p> <p>(HEAT)</p> <p>(DRY)</p> <p>(COOL)</p> <p>(FAN)</p>	<p>Use this button to select AUTO, HEAT, DRY, COOL or FAN mode.</p> <p> : When this setting is selected, the air conditioner calculates the difference between the thermostat setting and the room temperature and automatically switches to the “COOL” or “HEAT” mode as appropriate.</p> <p> : The air conditioner makes the room warmer.</p> <p> : The air conditioner reduces the humidity in the room.</p> <p> : The air conditioner makes the room cooler.</p> <p> : The air conditioner works only as a circulation fan.</p>
<p>FAN SPEED selector button</p>	<p> : The air conditioner automatically decides the fan speeds.</p> <p> : High fan speed</p> <p> : Medium fan speed</p> <p> : Low fan speed</p>
<p>NIGHT SETBACK button</p>	<p>For details, see “5. Night Setback Mode”. When you press this button in the HEAT, DRY or COOL mode, the mark appears in the display, and the remote control unit will automatically adjust the set temperature to save energy.</p>
<p>FLAP button (up/down)</p> <p>NOTE</p>	<p>Press the button either to select the setting of the airflow direction to auto. flap in each mode or to one of the six possible positions from (2) to (7) or to select the sweep function which moves the flap up and down automatically.</p> <p> : Auto flap setting: If selected in a heating operation, the flap is set to position (3) in the following chart. If selected in a cooling or dry operation, the flap is set at position (7) in the following chart.</p> <p> : The airflow direction can be set at six positions from (2) to (7).</p> <p> : The flap moves up and down automatically.</p> <p>When you press the button, the air flow direction will change one by one as follows.</p> 
<p>FLAP button (left/right)</p> <p>NOTE</p>	<p>Press the button either to select the setting of the airflow direction to auto. flap in each mode or to one of the six possible positions from (2) to (7), or to select the sweep function which moves the flap left and right automatically.</p> <p> : Auto flap setting: The flap is set at position (4) in the following chart.</p> <p> : The airflow direction can be set at six positions from (2) to (7).</p> <p> : The flap moves left and right automatically.</p> <p>When you press the button, the airflow direction will change one by one as follows.</p> 

EG

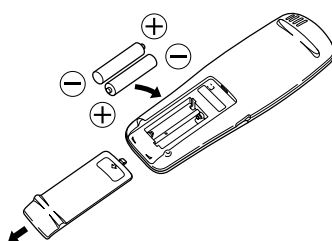
Remote Control Unit (continued)

<p>SENSOR button</p> <p>NOTE</p>	<p>When you press this button (use a small-tipped object such as a ballpoint pen), the  mark will appear at the display. And the room temperature is detected by the sensor which is built into the indoor unit and the air conditioner is controlled accordingly.</p> <p>If the remote control is located near a heat source, such as a space heater or in direct sunlight, press the SENSOR button to switch to the sensor on the indoor unit.</p>
<p>Temperature Display Selector button</p>	<p>This switches the temperature display between °C and °F.</p>
<p>Time Display Selector button</p>	<p>This switches the time display between 24-hour time and 12-hour time.</p>
<p>TIMER Selector button (ONE TIME/EVERYDAY)</p>	<p>This button switches ONE TIME or EVERYDAY. When you select EVERYDAY,  is displayed and continuously operates this function everyday. The initial setting is EVERYDAY. If you select ONE TIME, it operates until setting time of timer.</p>
<p>CANCEL button</p>	<p>If you want to cancel the setting time of ON or OFF, press the ON or OFF button first, then press the CANCEL button. The CANCEL function is invalid for the 1.2.3.5HR. TIMER.</p>
<p>CLOCK button</p>	<p>The CLOCK button is used to set the present time. Press the CLOCK button first, then select the advance or return keys on the ON or OFF TIME setting button. Press the CLOCK button again to set adjusted present time.</p>
<p>CHILD LOCK button</p> <p>NOTE</p>	<p>The CHILD LOCK button is used to tamperproof and protect the unit from being incorrectly operated. The setting or canceling this function is effected by pressing the button for at least two seconds. The initial setting is set to CHILD LOCK off.</p> <p> : CHILD LOCK on.</p> <p>All key access functions are invalid while the CHILD LOCK function is on.</p>
<p>ADDRESS switch</p>	<ul style="list-style-type: none"> The ADDRESS switch changes to prevent mixing of signals from remote control units when two air conditioners are installed next to each other. The ADDRESS switch is located inside of rear cover on the remote control unit, and is set to A. For more information, please contact the dealer where you made the purchase. Normally, tab on the remote control unit should not be bent.

NOTE The remote control unit sends the temperature signal to the air conditioner regularly at five minute intervals. If the signal from the remote control unit stops for more than 15 minutes due to the loss of the remote control unit or other trouble, the air conditioner will switch to the temperature sensor which is built into the indoor unit and control the room temperature. In these cases, the temperature around the remote control unit may differ from the temperature detected at the air conditioner's position.

Using the Remote Control Unit

How to Install Batteries



1. Slide the cover in the direction indicated by the arrow and remove it.
2. Install two AAA alkaline batteries. Make sure the batteries point in the direction marked in the battery compartment.

Using the Remote Control Unit (continued)

NOTE

- The batteries last about six months, depending on how much you use the remote control unit. Replace the batteries when the remote control unit's display fails to light, or when the remote control cannot be used to change the air conditioner's settings.
- Use two fresh leak-proof type-AAA alkaline batteries.
- In replacing batteries, follow the instructions as mentioned in the sub-section "How to Install Batteries".
- If you do not use the remote control unit more than 1 month, take out the batteries.

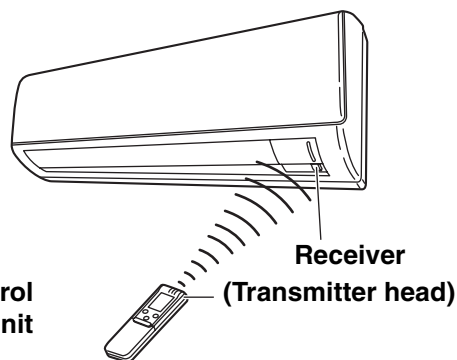
EG

How to Use the Remote Control Unit

When using the remote control unit, always point the unit's transmitter head directly at the air conditioner's receiver.

**Air conditioner
(Indoor unit)**

**Remote control
unit**



Remote Control Unit Installation Position

The remote control unit may be operated either from a non-fixed position or from a wall-mounted position. To ensure that the air conditioner operates correctly, DO NOT install the remote control unit in the following places:

DO NOT

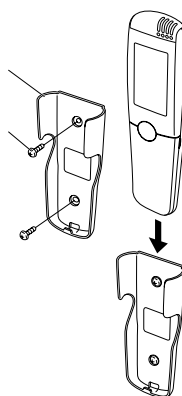
- In direct sunlight
- Behind a curtain or other places where it is covered
- More than 8 m away from the air conditioner
- In the path of the air conditioner's airstream
- Where it may become extremely hot or cold
- Where it may be subject to electrical or magnetic noise
- Where there is an obstacle between the remote control unit and air conditioner (since a check signal is sent from the remote control unit every 5 minutes)

Mounting the Remote Control Unit

Before mounting the remote control unit, press the ON/OFF operation button at the mounting location to make sure that the air conditioner operates from that location. The indoor unit should make a beeping sound to indicate that it has received the signal.

Remote control unit mount

**Mounting screws
4 x 16 (included)**



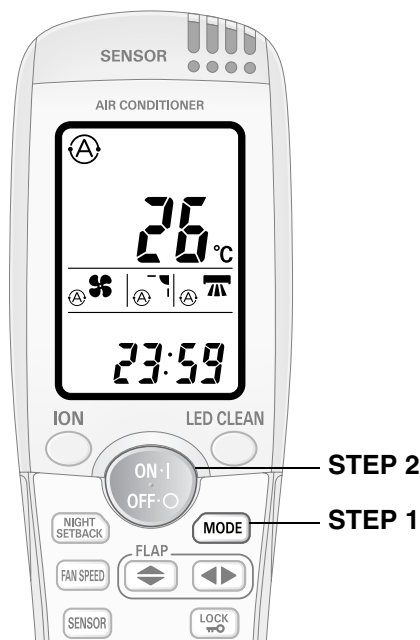
When Holding the Remote Control Unit

- When using the remote control unit and during air conditioner operation, the transmitter on the remote control unit should be pointed toward the receiver on the indoor unit.
- Make sure that there are no objects between the remote control unit and receiver which could block the signal.

Operation with the Remote Control Unit

1. Automatic Operation

This unit automatically switches between cooling operation and heating operation according to the difference between the room temperature and the temperature setting.



NOTE Check that the circuit breaker on the power panel is turned on.

Once mode is selected and the unit is preset by following the steps below, you can have the air conditioner automatically bring the room to the desired temperature simply by pressing the ON/OFF operation button.

STEP 1	Press the MODE selector button to .
STEP 2	Press the ON/OFF operation button.

To stop the air conditioner, press the ON/OFF operation button again.

NOTE

- To change the temperature setting; press the temperature setting buttons and change the setting to the desired temperature.

Operation with the Remote Control Unit (continued)

2. Manual Operation



NOTE Check that the circuit breaker on the power panel is turned on.

If the automatic operation settings of the unit do not meet your needs, press the setting buttons as described below and change the settings as desired.

STEP 1	Press the MODE selector button and select the desired mode. For heating operation → ☀ For dehumidifying operation → 💧 For cooling operation → ❄ For fan only operation → 🌀
STEP 2	To start the air conditioner, press the ON/OFF operation button.
STEP 3	Press the TEMP. setting buttons to change the temperature setting to the desired temperature. Adjustable temperature range: 30 °C max. or 86 °F max. 16 °C min. 60 °F min.
STEP 4	Set the FAN SPEED selector button to the setting you want.
STEP 5	Press the FLAP button and set the airflow direction as desired. (Refer to “Adjusting the Airflow Direction”.)

To stop the air conditioner, press the ON/OFF operation button again.

Operation with the Remote Control Unit (continued)

NOTE

- Choose the best position in the room for the remote control unit, which also acts as the sensor for room comfort and transmits the operating instructions. Once you've found this best position, always keep the remote control unit there.
- This appliance has a built-in 5-minute time delay circuit to ensure reliable operation. When the operation button is pressed, the compressor will start running within three minutes. In the event of power failure, the unit will stop.

3. Adjusting the Fan Speed

A. Automatic fan speed

Simply set the FAN SPEED selector button to the position. This automatically sets the best fan speed for the room temperature.

B. Manual fan speed

If you want to adjust fan speed manually during operation, just set the FAN SPEED selector button as desired. [, , or]

4. Fan Only

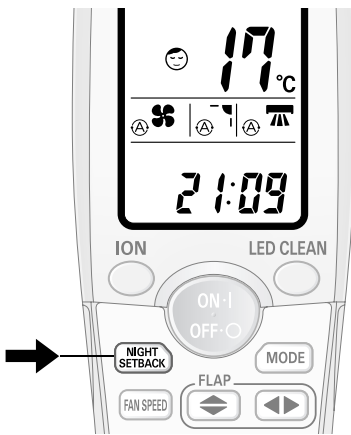


If you want to circulate air without any temperature control, follow these steps:

STEP 1	Press the MODE selector button to switch to the fan mode .
STEP 2	Press the ON/OFF operation button.
STEP 3	Press the FAN SPEED selector button to select the fan speed of your choice (, , or).

Operation with the Remote Control Unit (continued)

5. Night Setback Mode



Night Setback Mode is used for saving energy.

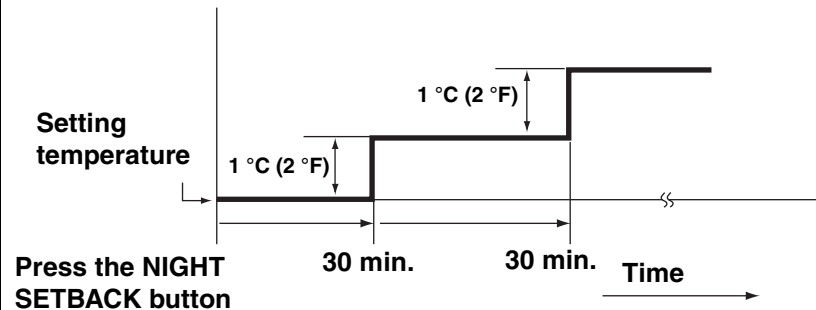
Press the NIGHT SETBACK button while operation.
The ☺ mark appears in the display.

To release the night setback function, press the NIGHT SETBACK button again.

EG

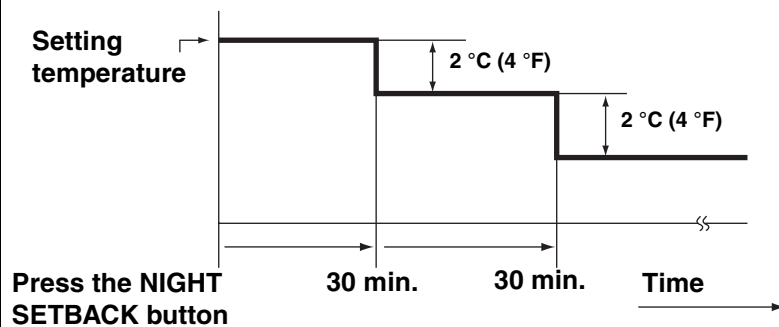
A. In Cooling and DRY Mode: (☼ and 💧)

When the night setback mode is selected, the air conditioner automatically raises the temperature setting 1 °C when 30 minutes have passed after the selection was made, and then another 1 °C after another 30 minutes have passed, regardless of the indoor temperature when night setback was selected. This enables you to save energy without sacrificing comfort. This function is convenient when gentle cooling is needed.



B. In Heating Mode: (☀)

When the night setback mode is selected, the air conditioner automatically lowers the temperature setting 2 °C when 30 minutes have passed after the selection was made, and then another 2 °C after another 30 minutes have passed, regardless of the indoor temperature when night setback was selected. This enables you to save energy without sacrificing comfort. This function is convenient when gentle heating is needed.



Operation with the Remote Control Unit (continued)

6. QUIET Mode



QUIET Mode is used to reduce the fan sound of the indoor unit.

Press the QUIET button.

The **QUIET** mark appears in the display.

To cancel, press QUIET button again.

- In QUIET Mode, the fan rotates at a slower speed than the fan speed setting.
- If the unit is already operating with a very low airflow, the fan sound may not change even if the QUIET button is pressed.

7. HIGH POWER Mode



HIGH POWER mode can be used to increase the output of the indoor unit for all operation modes except automatic operation.


Press the HIGH POWER button.

The  mark appears in the display.

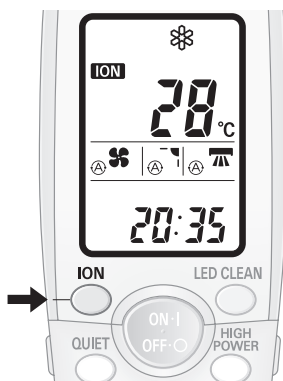
To cancel, press HIGH POWER button again.

- When the HIGH POWER button is pressed, the unit operates at maximum output for 30 minutes, regardless of the desired temperature. The fan speed is 1 step above “High”.
- HIGH POWER Mode cannot be used when the operation mode is Automatic Operation.
- QUIET Mode and HIGH POWER Mode cannot be used at the same time.

NOTE

- When set to High fan speed during heating operation, the fan runs at High fan speed even though the  mark is displayed.
- Depending on the operating conditions, the fan speed may increase by only a small amount.

8. ION Mode



The ION mode is used during operation to generate negative ions that freshen up the air in the room.

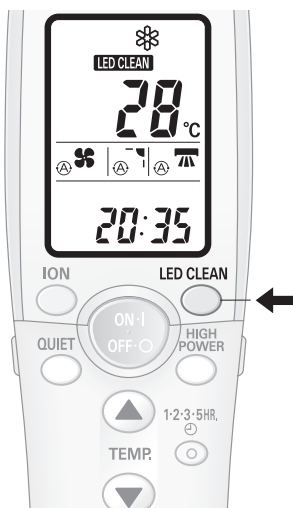
Press the ION button.

The **ION** mark appears in the display.

To cancel, press ION button again.

- The indoor unit’s ION lamp lights up while negative ions are being generated.
- ION “on” is the remote control unit’s initial setting.
- The negative ions are generated from the negative ion generator.

9. LED CLEAN Mode



In LED CLEAN mode, a UV anti-bacterial unit (including a LED CLEAN lamp and anti-bacterial filter) in the indoor unit is used during AUTO, HEAT, DRY, COOL, or FAN operation to remove bacteria from air blown from the air conditioner.

Press the LED CLEAN button.

The **LED CLEAN** mark appears in the display.

To cancel, press the LED CLEAN button again.

- When the LED CLEAN button is pressed, the UV anti-bacterial unit operates for one hour and cleans air blown from the air conditioner.

NOTE

- Pressing the MODE selector button cancels LED CLEAN mode.
- Do not open the front panel while the LED CLEAN lamp on the display is on.
- Depending on the room brightness, light from the LED CLEAN lamp may reflect inside the air conditioner and be visible. This is not a malfunction.

Special Remarks

“DRY” (△) Operation

How it works?

- Once the room temperature reaches the level that was set, the unit's operation frequency is changed automatically.
- During DRY operation, the fan speed is automatically set to Low speed for providing a comfortable breeze.
- “DRY” operation is not possible if the indoor temperature is 15 °C or less.

EG

Heating (☀) Operation

Heating performance

- Because this air conditioner heats a room by drawing in the heat of the outside air (heat pump system), the heating efficiency will fall off when the outdoor temperature is very low. If sufficient heat cannot be obtained with this air conditioner, use another heating appliance together with it.

Defrosting



OPERATION lamp

- When the outdoor temperature is low, frost or ice may form on the heat exchanger coil, reducing heating performance. When this happens, a microcomputer defrosting system operates. At the same time, the fan on the indoor unit stops and the OPERATION lamp lights red and orange alternately until defrosting is completed. Heating operation restarts after several minutes. (This interval will vary slightly depending upon the outdoor temperature and the way in which frost forms.)

Cold draft prevention

- For several minutes after the start of heating operation, the indoor fan runs at a lower speed until the indoor heat exchanger coil has warmed up sufficiently. However, the fan may remain stopped when the room temperature is low. This is because the COLD DRAFT PREVENTION SYSTEM is in operation.

Cooling (❄) Operation

- Sometimes the indoor unit may not get to the set fan speed such as LOW and QUIET under cool operation at very low outdoor temperatures due to the indoor unit being protected from ice or frost.

Power failure during operation

- In the event of power failure, the unit will stop. When the power is resumed, the unit will restart automatically within five minutes by the remote control unit.

Clicking Sound

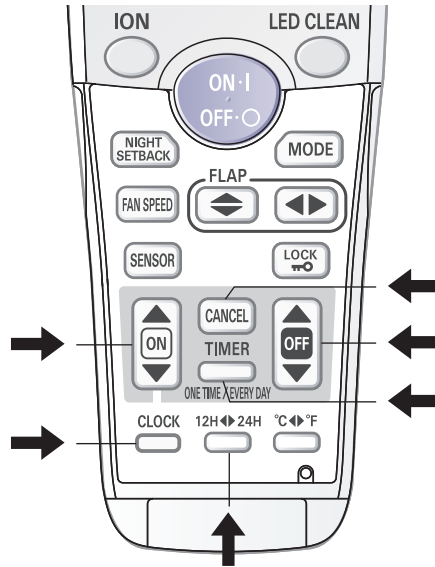
Clicking sound is heard from the air conditioner

- In heating or cooling operation, any plastic parts may expand or shrink due to a sudden temperature change. In this event, a clicking sound may occur. This is normal, and the sound will soon disappear.

Remote Control Unit

- The remote control unit sends the setting condition signals to the air conditioner regularly at five minute intervals.

Setting the Timer



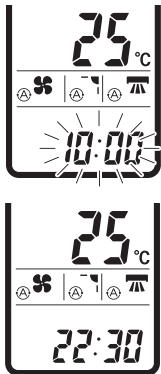
NOTE

In the descriptions below, the following settings are used for the temperature and time indicator selector button on the bottom front section of the remote control.

- Temperature: °C

1. How to set the present time

(Example) To set to 22:30.



Operation	Indication
1. Press the CLOCK button once if the time indicator is not flashing.	The time indication alone flashes.
2. Press the Advance, Return (▲, ▼) button until 22:30 is displayed.	The time can be set in 1-minute increments. Holding down the button advances the time rapidly in 10-minute increments.
3. Press the CLOCK button again.	This completes the setting of the current time.

2. How to set the OFF time

(Example) To stop the air conditioner at 20:00.



1. Press the OFF TIME setting button once.	The timer OFF indication is displayed, and the present OFF time is shown.
2. Press the Advance, Return (▲, ▼) button until 20:00 is displayed.	The timer OFF indication blinks. The time can be set in 10-minute increments. Holding down the button advances the time rapidly in 10-minute increments.
3. Wait a few seconds, and then the setting is complete.	The timer OFF indication stops blinking and the present time is displayed.

Setting the Timer (continued)

3. How to set the ON time

(Example) To start operation at 6:10.

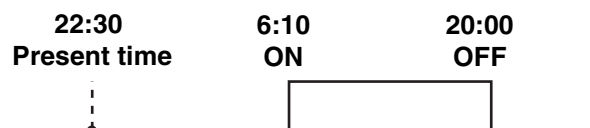


Operation	Indication
1. Press the ON TIME setting button once.	The timer ON indication is displayed, and the present ON time is shown.
2. Press the Advance, Return (▲, ▼) button until 6:10 is displayed.	The timer ON indication blinks. The time can be set in 10-minute increments. Holding down the button advances the time rapidly in 10-minute increments.
3. Wait a few seconds, and then the setting is complete.	The timer ON indication stops blinking and the present time is displayed.

EG

4. How to set DAILY ON/OFF REPEAT timer

(Example) To start operation at 6:10 and stop the air conditioner at 20:00.



1. Select EVERYDAY by the TIMER selector button then set the ON/OFF timer times as shown in 2-1, 2, 3 and 3-1, 2, 3.	The present time 22:30 and ON OFF are displayed.
--	--

NOTE

- The ON/OFF combination timer uses the current time as the reference, and it is activated starting from whichever set time comes first.
- With the ON/OFF combination timer, the settings are repeated every day.
- You can check the timer ON/OFF times after you have set them by pressing the ON TIME and OFF TIME setting buttons.

To cancel a timer program

- Press the CANCEL button.
- When either an ON or OFF timer is to be canceled, press the button corresponding to the timer whose program is to be canceled, and then press the CANCEL button.

NOTE

- The airflow direction, fan speed and temperature setting can be changed after a timer program has been set even when the unit is stopped. Even when operation is stopped during an ON timer program, the unit will start operating when the set time is reached provided that the program is not canceled.
- When the ON timer and OFF timer are set to the same time, the timer operates as if it is turned off.

Using the 1.2.3.5-Hour OFF Timer

1. 1.2.3.5-Hour OFF Timer



NOTE

This function causes the unit to operate for 1, 2, 3 or 5 hours and then stop, regardless of whether the unit is on or off when the button is pressed.

The timer indicator in the display indicates that this function is operating.

Setting procedure:

Regardless of whether the unit is on or off, press the 1.2.3.5-Hour Timer button and select as desired, 1, 2, 3 or 5 hours.

Cancellation procedure:

Press the ON/OFF operation button to turn the unit off, wait for the unit to stop operating, and then press the ON/OFF operation button again.

The 1.2.3.5-hour function is now cancelled and the unit operates normally.

- If, while the 1.2.3.5-Hour Timer function is operating, the 1.2.3.5-hour Timer button is pressed once to cancel the function and then again, the unit continues to operate for the desired number of hours from that point in time and then stops.
- It is not possible to use the OFF Timer and 1.2.3.5-Hour OFF Timer together. Whichever function is set last takes precedence. If the 1.2.3.5-Hour TIMER button is pressed while the TIMER OFF function operates, the OFF Timer is cancelled and the unit will stop operating the desired number of hours later.

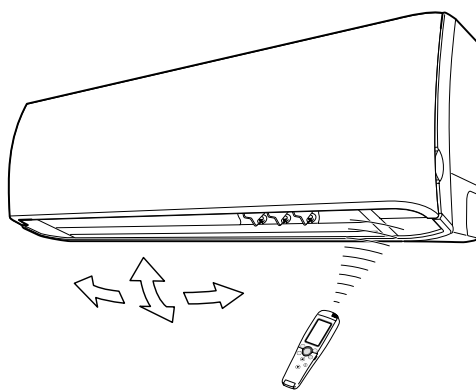
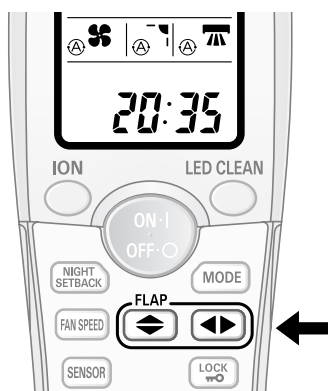
2. Operation together with the DAILY ON/OFF REPEAT Timer

The 1.2.3.5-Hour OFF Timer setting is given priority over the DAILY ON/OFF REPEAT setting when EVERYDAY of the TIMER selector button is set, except for the ON TIMER function of the ONE TIME setting.

Tips for Energy Saving

- Do not**
- **Block the air intake and outlet of the unit. If they are obstructed, the unit will not work well, and may be damaged.**
 - Let direct sunlight into the room. Use sunshades, blinds or curtains. If the walls and ceiling of the room are warmed by the sun, it will take longer to cool the room.
- Do**
- Always try to keep the air filter clean. (Refer to “Care and Cleaning”.) A clogged filter will impair the performance of the unit.
 - To prevent conditioned air from escaping, keep windows, doors and any other openings closed.

Adjusting the Airflow Direction



The horizontal and vertical airflow can be adjusted by moving the vertical vanes and the flap with the remote control unit. Confirm that the remote control unit has been turned on. Use the FLAP button to set either the sweep function or one of the six airflow direction settings.

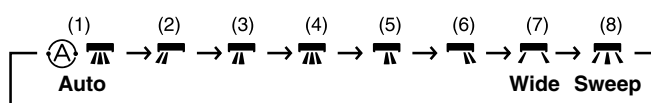
EG



CAUTION

When the humidity is high, the vertical vanes should be in the front position during the cooling or dehumidifying operation. If the vertical vanes are positioned all the way to the right or left, condensation may begin to form around the air vent and drip down.

1. Horizontal



A. Sweep function



The vertical vanes move left and right to deliver air over the sweep range.

B. Setting the airflow manually



Referring to above illustration, use the FLAP button to set the airflow direction within the range used during the heating, cooling or dehumidifying operation.

C. Auto flap function



The flap is set to the recommended position.

2. Vertical

A. Sweep function



The flap starts moving up and down to deliver air over the sweep range.

B. Setting the airflow manually

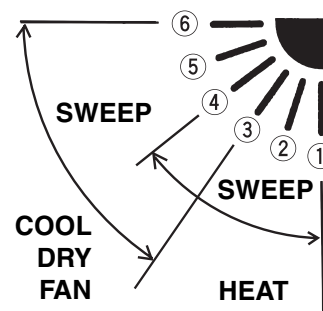


Referring to the above illustration, use the FLAP button to set the airflow direction within the range used during the heating, cooling, or dehumidifying operation.

C. Auto flap function



The flap is set to the recommended position.



NOTE

- The flap automatically closes when the unit is off.
- During the heating operation, the fan speed will be very low and the flap will be in the horizontal position (position ⑥) until the air being blown out of the unit begins to warm. Once the air warms up, the flap position and fan speed change to the settings specified with the remote control.

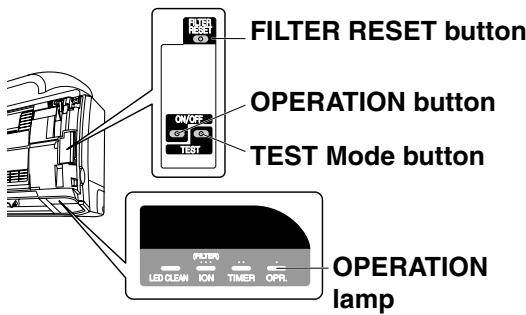


CAUTION

- Use the FLAP button on the remote control to adjust the position of the flap. If you move the flap by hand, the flap position according to the remote control and the actual flap position may no longer match. If this should happen, shut off the unit, wait for the flap to close, and then turn on the unit again; the flap position will now be normal again.
- Do not have the flap pointed down during cooling operation. Condensation may begin to form around the air vent and drip down.

Operation without the Remote Control Unit

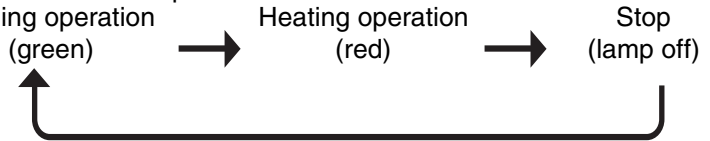
INDOOR UNIT



If you have lost the remote control unit or it has trouble, follow the steps below.

When the air conditioner is not running

Each time the OPERATION button is pressed with a small pointed tool, the operation mode changes cyclically, by changing the color of the OPERATION lamp.



NOTE

The temperature is set to the room temperature minus 2°C during the cooling operation and to the room temperature plus 2°C during the heating operation, and the fan speed and flap are set to Auto.



CAUTION

For normal operation, do not set to TEST mode, which is used only for servicing the air conditioner.

Care and Cleaning



WARNING

1. For safety, be sure to turn the air conditioner off and also to disconnect the power before cleaning.
2. Do not pour water on the indoor unit to clean it. This will damage the internal components and cause an electric shock hazard.

Casing and Grille (Indoor Unit)

Clean the casing and grille of the indoor unit with a vacuum cleaner brush, or wipe them with a clean, soft cloth.

If these parts are stained, use a clean cloth moistened with a mild liquid detergent. When cleaning the grille, be careful not to force the vanes out of place.

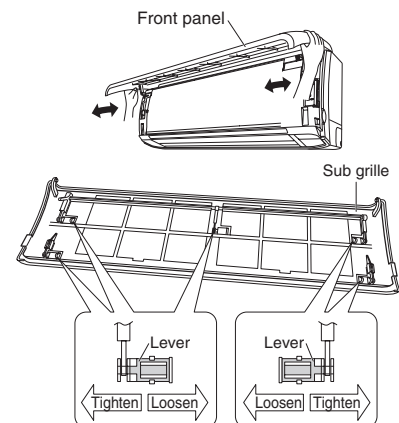


CAUTION

1. Never use solvents, or harsh chemicals when cleaning the indoor unit. Do not wipe the plastic casing using very hot water.
2. Some metal edges and the fins are sharp and may cause injury if handled improperly; be especially careful when you clean these parts.
3. The internal coil and other components of the outdoor unit must be cleaned every year. Consult your dealer or service center.

Removing the front panel

- Push the front panel all the way upward. Pull while supporting the nearest point of the arms toward you.
- Remove the sub grille attached to the rear of the front panel after setting the five levers to loosen.



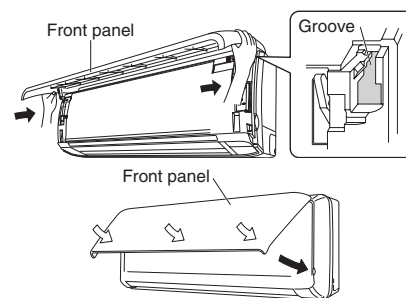
Washing the front panel with water

- Clean the front panel gently using a soft sponge, or the like. Then wipe away any remaining moisture.
- Neutral detergent may be used to remove stubborn dirt. Then rinse thoroughly with water and wipe away any remaining moisture.

Care and Cleaning (continued)

Remounting the front panel

- Reattach the subgrille onto the front panel then tighten the five levers.
- Support the nearest point of the front panel keeping it horizontal then push arm axis to the grooves at the top of the indoor unit.
- Press the locations marked by the arrows and close the front panel.



EG



CAUTION

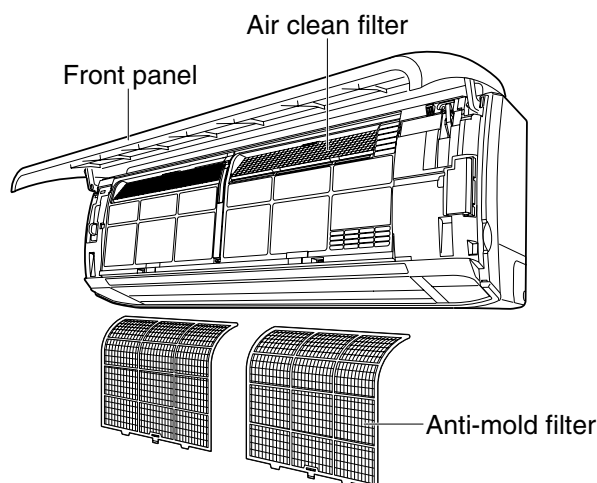
When using a footstool or the like, be careful not to let it tip over.

Anti-Mold Filter

The anti-mold filter behind the front panel should be checked and cleaned when the red FILTER (ION) lamp lights as follows; The FILTER (ION) indicator lamp lights after 250 operation hours. The indication will beep 4 times before the FILTER (ION) lamp flashes for 6 seconds after another 125 (375 total operation) hours, indicating the anti-mold filter should again be checked and cleaned. If you want to turn the FILTER (ION) lamp off or on after cleaning the anti-mold filter, press the FILTER RESET button in the indoor unit with a small pointed tool.

How to remove the anti-mold filter

1. Open the front panel until it is nearly horizontal, grasp the sections near the front panel arms on both sides, and then pull forward to remove the front panel.
2. Remove the anti-mold filter, attached to the rear of the front panel.

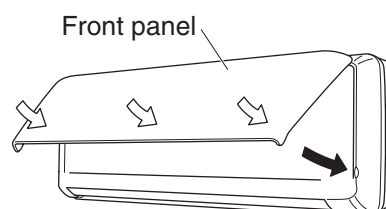
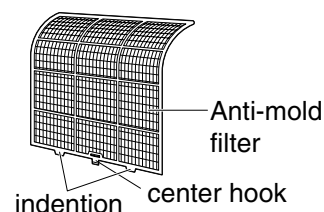


Cleaning

Use a vacuum cleaner to remove light dust. If there is sticky dust on the filter, wash the filter in lukewarm, soapy water, rinse it in clean water, and dry it.

How to replace the anti-mold filter

1. Insert the top of the anti-mold filter, align the two indentions with the center hook at bottom, then mount the filter into place.
2. Press the locations marked by the arrows and close the front panel.



Care and Cleaning (continued)

Air Clean Filter

The air clean filter removes dust and dirt from the air, and reduces odors and smoke from tobacco.



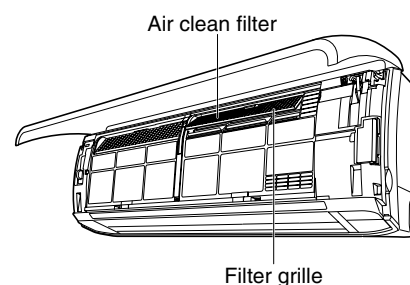
WARNING

This air clean filter cannot remove harmful gases or vapors nor ventilate air in the room. You must open doors or windows frequently when you use gas or oil heating appliances. Otherwise there is a risk of suffocation in extreme cases.

How to install the air clean filter

The air clean filter needs to be installed behind the anti-mold filter.

1. Remove the anti-mold filter.
2. Install the air clean filter securely in place onto the filter grille.
3. Reinstall the anti-mold filter.



How to clean the air clean filter

- In general, the filter should be sucked to remove dust in low fan speed of a vacuum cleaner once every three months.
- If there is heavily grime on the filter, soak the filter in lukewarm water with neutral detergent diluted 1:500 for 1 to 2 minutes then wash it.
- Rinse the filter in clean water, then let it dry on the towel in room temperature.

NOTE

- Do not bend nor give excessive force onto the air clean filter.
- If the filter surface is heavily blocked with dirt or damaged, replace it with new one. Purchase a replacement filter at your local dealer. (model **STK-FDXB**)

Cleaning the main unit and remote control unit

- Wipe clean using a soft, dry cloth.
- To remove stubborn dirt, moisten a cloth in warm water no hotter than 40 °C, wring thoroughly, and then wipe.

Cleaning the negative ion generator

Follow the steps below when the generator has become dirty.

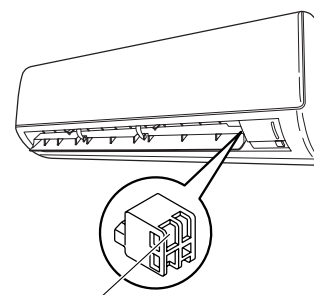


WARNING

For safety, be sure to turn the air conditioner off and also to disconnect the power before cleaning.

Remove the dust on the negative ion generator.

- Use a toothbrush, etc. to dust off the end.
- Use a cotton swab, etc., to clean around the generator inside the plastic case, taking care not to touch the electrodes.



Negative ion generator (metal electrodes inside plastic case)

NOTE

- During use, the negative ion generator and other metal parts may become discolored: this is normal and not indicative of malfunctioning.
- If the dirt on and around the negative ion generator is left to build up, a puffing or sputtering sound will eventually be heard. In this case, clean the generator immediately.
- Do not apply excessive force while performing maintenance.

Troubleshooting

If your air conditioner does not work properly, first check the following points before requesting service. If it still does not work properly, contact your dealer or service center.

Trouble	Possible Cause	Remedy
Air conditioner does not run at all.	<ol style="list-style-type: none"> 1. Power failure. 2. Leakage circuit breaker tripped. 3. Line voltage is too low. 4. Batteries in remote control unit have run down. 	<ol style="list-style-type: none"> 1. Restore power. 2. Contact service center. 3. Consult your electrician or dealer. 4. Replace batteries.
OPERATION lamp blinks and air conditioner does not operate.	Trouble in system.	Contact service center.
Compressor runs but soon stops.	Obstruction in front of condenser coil.	Remove obstruction.
Poor cooling (or heating) performance.	<ol style="list-style-type: none"> 1. Dirty or clogged air filter. 2. Heat source or many people in room. 3. Doors and/or windows are open. 4. Obstacle near air intake or air discharge port. 5. Thermostat is set too high for cooling (or too low for heating). 6. (Outdoor temperature is too low for heating.) 	<ol style="list-style-type: none"> 1. Clean air filter to improve airflow. 2. Eliminate heat source if possible. 3. Shut them to keep the heat (or cold) out. 4. Remove it to ensure good airflow. 5. Set the temperature lower (or higher). 6. (Consult your dealer or try to use another heat appliance.)
Clicking sound is heard from the air conditioner.	In heating or cooling operation, any plastic parts may expand or shrink due to a sudden temperature change. In this event, a clicking sound may occur.	This is normal, and the sound will soon disappear.
OPERATION lamp lights but outdoor unit will not run.	1. The use of cellular phones near the air conditioner may cause disturbance to its normal operation.	<ol style="list-style-type: none"> 1. Turn off the power then restart the air conditioner after a while. 2. Consult your dealer.

EG

Operating Range

The air conditioner is operable within the temperature ranges as listed below:

	Temperature	Indoor air temperature	Outdoor air temperature
COOLING	Max.	32 °C DB / 23 °C WB	43 °C DB
	Min.	19 °C DB / 14 °C WB	-15 °C DB
HEATING	Max.	27 °C DB	24 °C DB / 18 °C WB
	Min.	16 °C DB	- DB/ -15 °C WB



SANYO Electric co., Ltd.

Osaka, Japan

Sept. / 2005

Printed in Japan (T)