

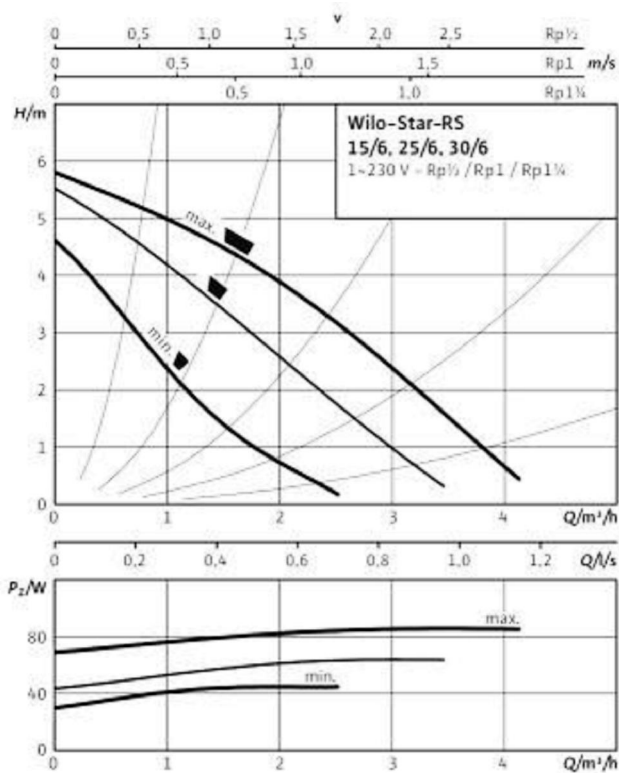
[WILO](#)[Online Catalogue](#) / [Star-RS](#) / Star-RS 25/6[PDF printout](#)[> Free search](#)

English

- [Data sheet](#)
- [Dimensions and dimension drawings](#)
- [Pump curves](#)
- [Ordering information](#)
- [Specification texts](#)

Wilo-Star-RS 25/6

Pump curves



Dimension drawing

Approved fluids (other fluids on request)

- Heating water (in accordance with VDI 2035)
- Water-glycol mixtures (max. 1:1; above 20% admixture, the pumping data must be checked)

Permitted field of application

Temperature range at max. ambient temperature +40 °C -10...+110 °C

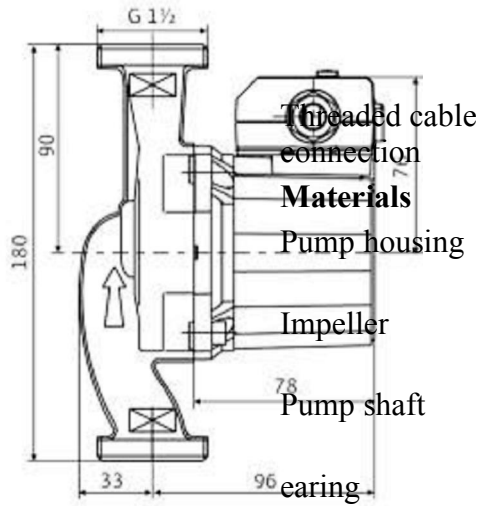
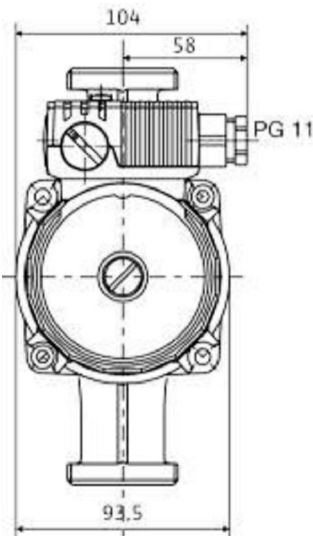
Maximum permissible operating pressure P_{max} 10 bar

Pipe connections

Threaded pipe union Rp 1
Thread G 1½
Overall length L_0 180 mm

Motor/electronics

Electromagnetic compatibility EN 61800-3
Emitted interference EN 61000-6-3
Interference resistance EN 61000-6-2
Speed control –
Protection class IP 44
Insulation class F
Mains connection 1~230 V, 50 Hz
Speed n 2480 / 2750 / 2840 rpm
Power consumption P_I 43 / 61 / 84 W
Current consumption I 0.20 / 0.28 / 0.36 A
Motor protection



Not required
(blocking-current proof)

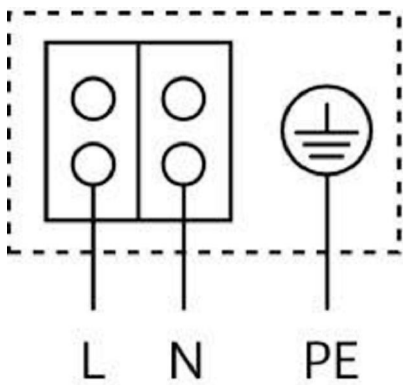
PG 1x11

Grey cast iron (EN-G-200)
Plastic (PP - 40% GF)
Stainless steel (40Cr13)
Carbon, metal impregnated

Motor horizontal

Terminal box positions for 3, 6, and 12 o'clock position

Terminal diagram



locking current-proof motor

Single-phase motor (EM) 2-pole - 1~230 V, 50 Hz

With built-in capacitor

Minimum suction head at suction port for avoiding cavitation at water pump in temperature

Minimum suction head at 50 / 5 / 110 °C 0.5 / 3 / 10 m

Information for order placements

Make Wilo
Art no. 403256
Type Star-RS 25/6
Weight approx. *m* 3 kg

Version ...RG with pump housing made of red brass

Version ... with connection for quick aspirator

2014 WIO SE | [Editorial information](#) | [legal information](#)

Pioneering for you

[Star-RS 15/4](#) [Star-RS 15/6](#) [Star-RS 25/2](#) [Star-RS 25/4](#) [Star-RS 25/4-130](#) [Star-RS 25/4-RG](#) [Star-RS 25/6](#) [Star-RS 25/6-130](#) [Star-RS 25/6-RG](#) [Star-RS 25/7](#) [Star-RS 25/8](#) [Star-RS 30/2](#) [Star-RS 30/4](#) [Star-RS 30/6](#) [Star-RS 30/7](#) [Star-RS 30/8](#)

