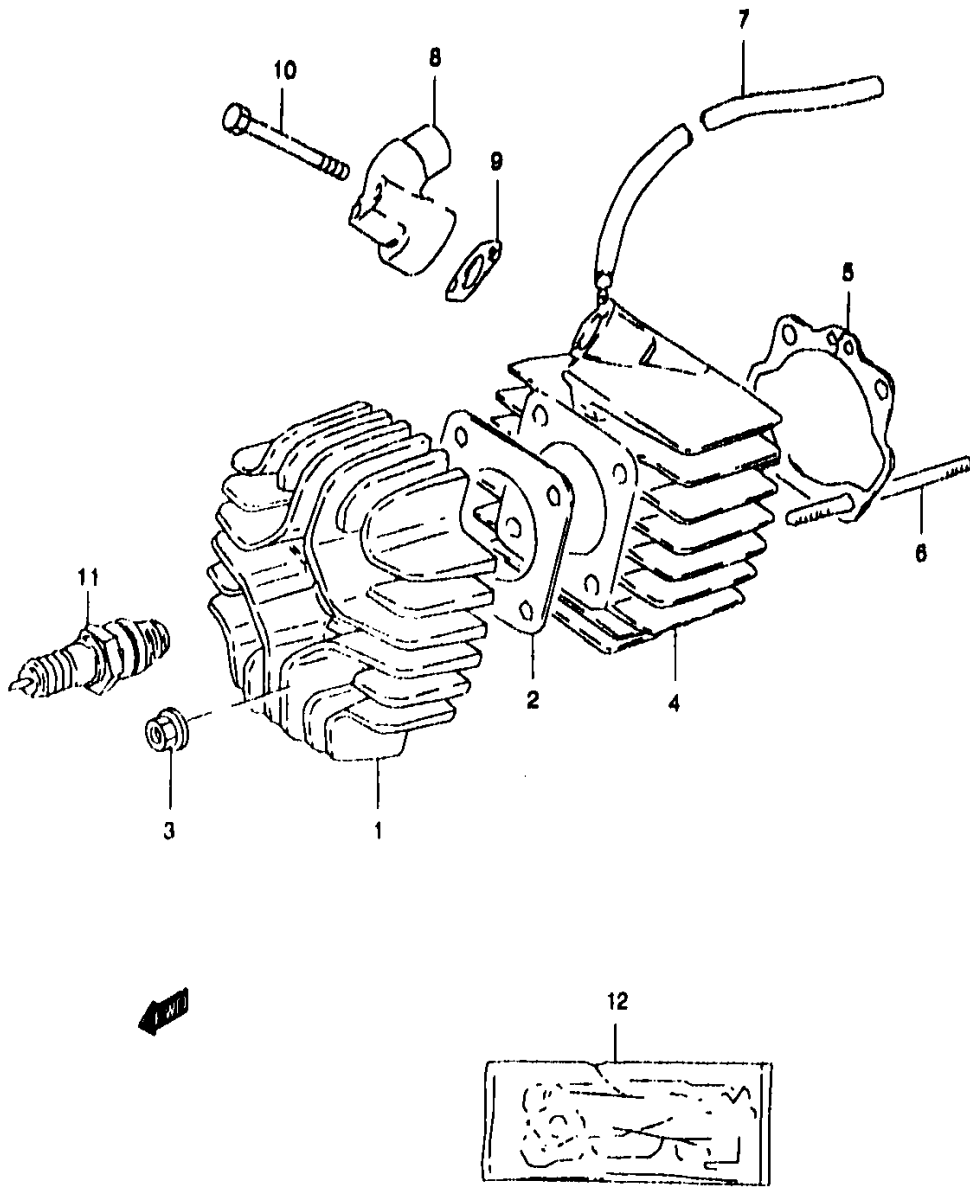
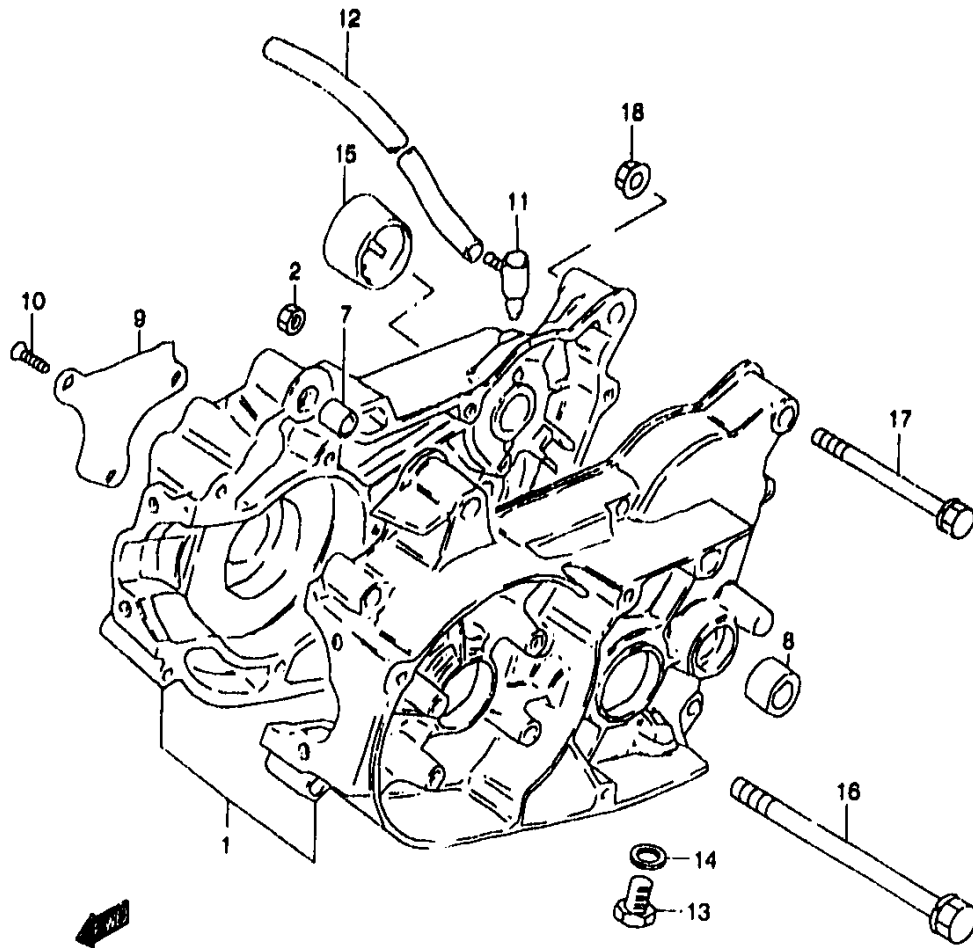
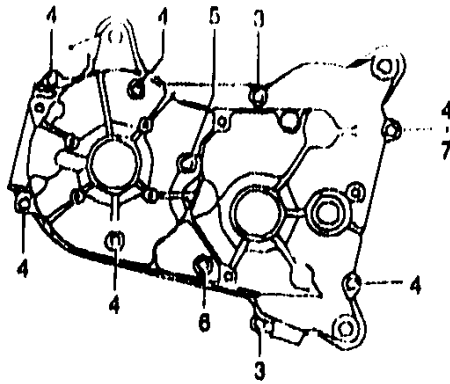
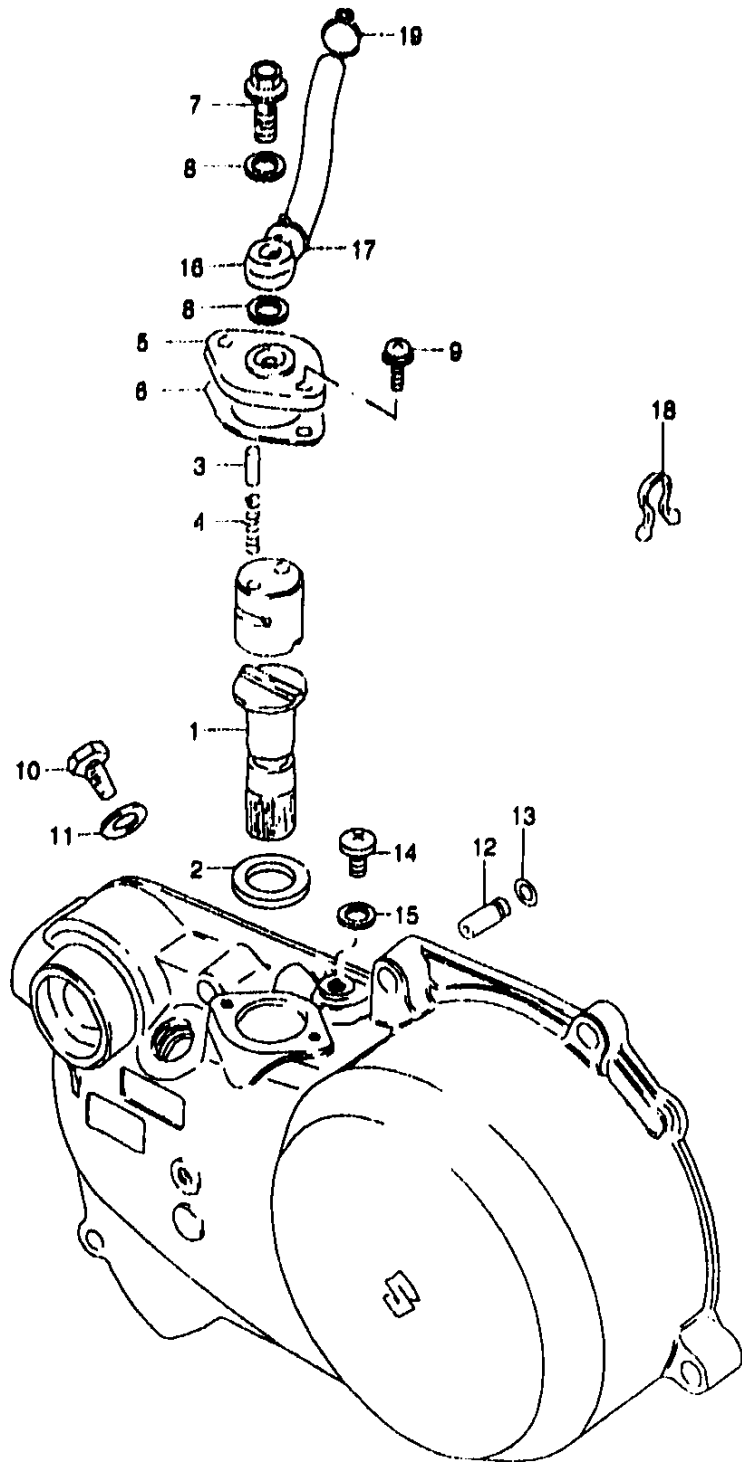


| Ref No | Part No | Description |
|--------|-----------------|-------------------------|
| 1 | 11111-04001 | Head, Cylinder |
| 2 | 11141-04000 | Gasket, Cylinder Head |
| 3 | 08316-10063 | Nut |
| 4 | 11210-04010-0F0 | Cylinder |
| 5 | 11241-04010 | Gasket, Cylinder |
| 6 | 09108-06108 | Stud Bolt (l:90) |
| 7 | 09355-45855-600 | Hose, Vacuum (l:600) |
| 8 | 13110-04600 | Pipe, Intake |
| 9 | 13121-04000-H17 | Gasket, Intake Pipe |
| 10 | 01570-06453 | Bolt |
| 11 | 09482-00136 | Spark Plug (ngk, Bpr4h) |
| 12 | 11400-04852-H17 | Gasket Set |

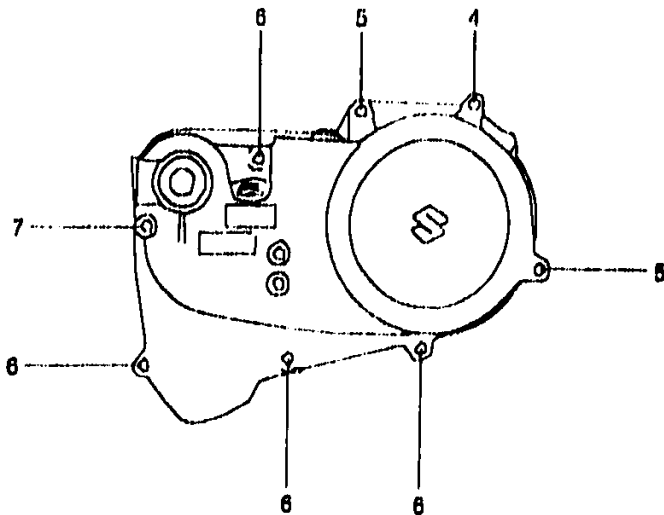




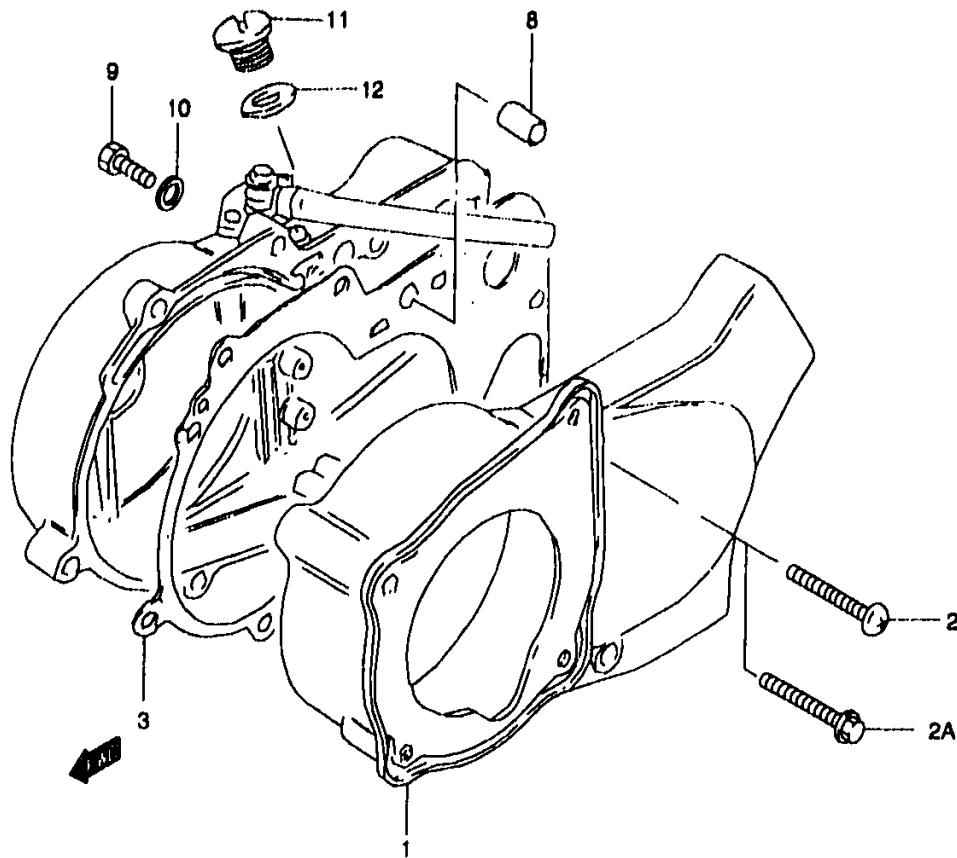
| Ref No | Part No | Description |
|--------|-----------------|------------------------|
| 1 | 11300-04882 | Crankcase Set |
| 2 | 04211-11129 | . Pin |
| 3 | 02112-06303 | . Screw (6x30) |
| 4 | 02112-06353 | . Screw (6x35) |
| 5 | 02112-06403 | . Screw (6x40) |
| 6 | 02112-06553 | . Screw (6x55) |
| 7 | 08310-00063 | . Nut |
| 8 | 09304-10005 | . Bush, Counter Shaft |
| 9 | 12521-04000 | Plate, Oil Reservoir |
| 10 | 02122-04103 | Screw (4x10) |
| 11 | 24821-45100 | Plug, Breather |
| 12 | 09352-20503-600 | Hose, Breather (l:600) |
| 13 | 09247-10008 | Plug, Oil Drain |
| 14 | 09168-10002 | Gasket |
| 15 | 24829-04410 | Separator, Breather |
| 16 | 09103-08109 | Bolt (l:120) |
| 17 | 01550-08703 | Bolt |
| 18 | 08319-31083 | Nut |

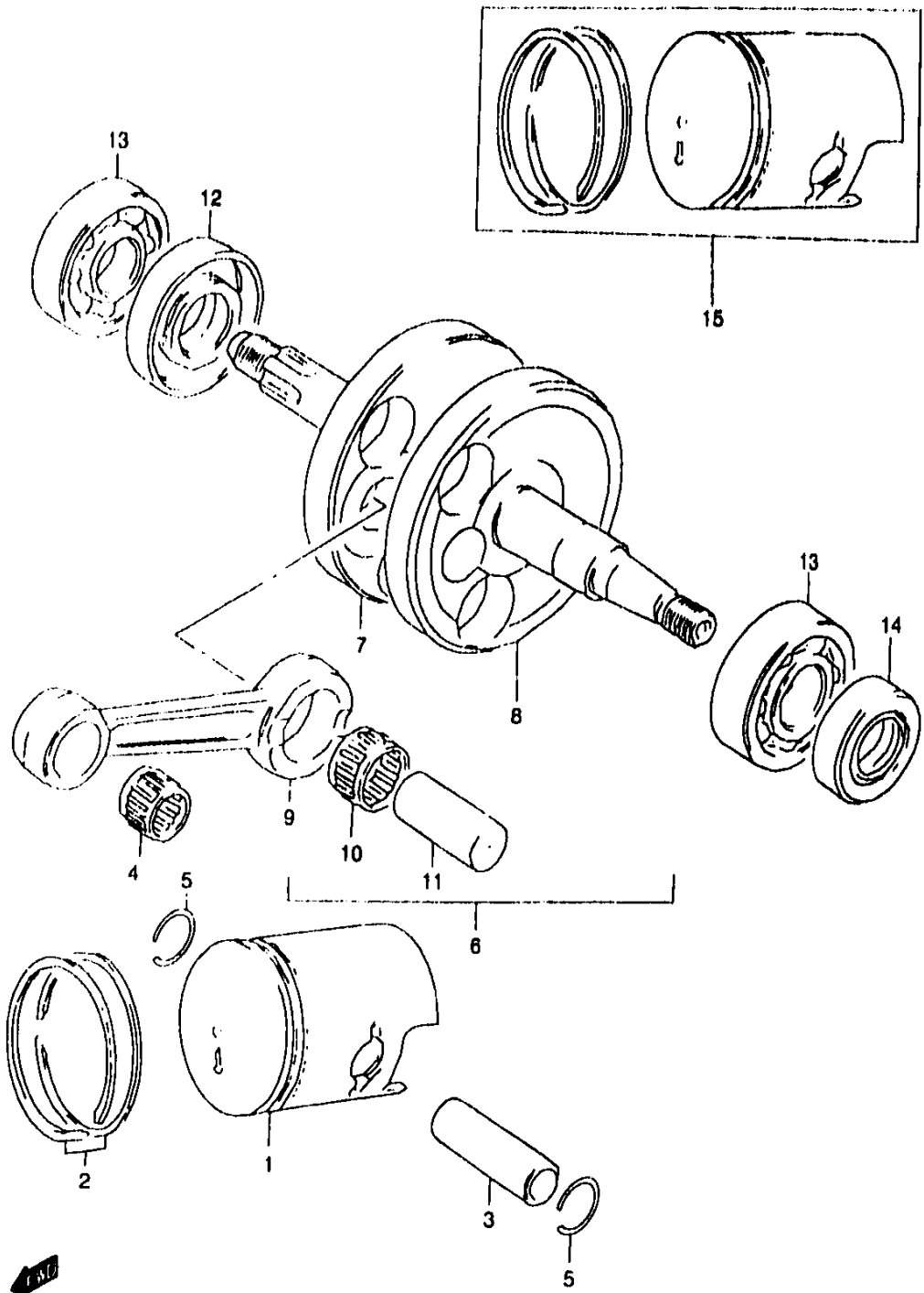


| Ref No | Part No | Description |
|--------|-----------------|--------------------------|
| | 11300-04892 | Clutch Cover Set |
| 1 | 16161-04000 | • Gear, Oil Pump Drive |
| 2 | 09284-12004 | • Oil Seal (12x18.5x3) |
| 3 | 09261-02006 | • Plunger, Sub |
| 4 | 09440-01001 | • Spring |
| 5 | 16251-04000 | • Cam, Oil Pump |
| 6 | 16731-04000-H17 | • Gasket, Oil Pump |
| 7 | 09360-06003 | • Union Bolt |
| 8 | 09168-06004 | • Gasket |
| 9 | 02112-34123 | • Screw |
| 10 | 09135-06007 | • Stopper |
| 11 | 09164-06003 | • Gasket |
| 12 | 16710-04010 | • Check Valve |
| 13 | 09280-03003 | • O Ring |
| 14 | 02112-05083 | • Screw |
| 15 | 09168-05001 | • Gasket |
| 16 | 16810-07520 | • Hose, Oil (l:320->275) |
| 17 | 09401-08401 | • Clip |
| 18 | 09408-00012 | Clamp |
| 19 | 09401-08401 | Clip |



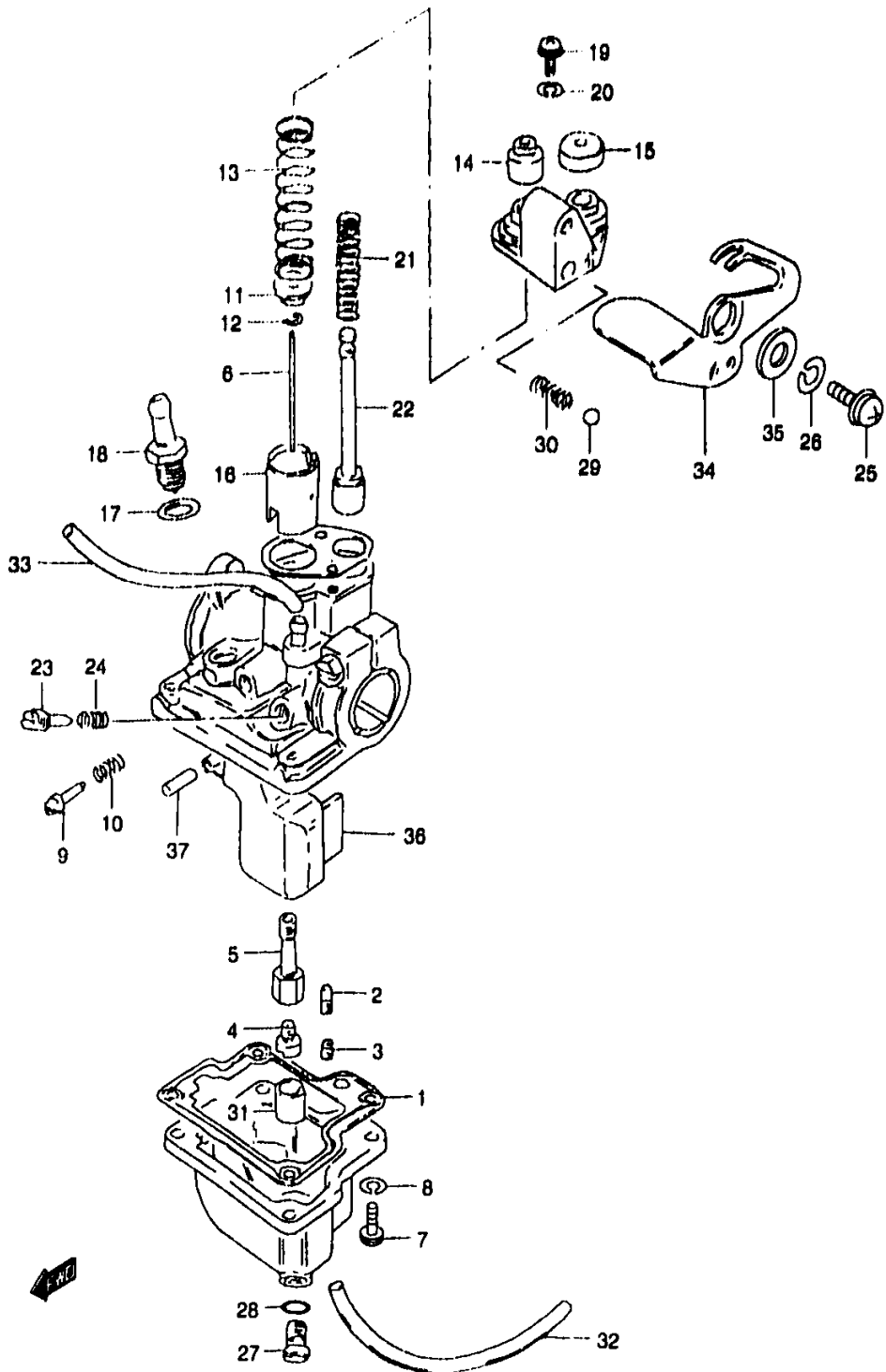
| Ref No | Part No | Description |
|--------|-------------|----------------------|
| 1 | 11351-04410 | Cover, Magneto |
| 2 | 02112-06355 | Screw (black) |
| 2 | 02112-06353 | Screw (green) |
| 2a | 01547-06353 | Screw (green) |
| 3 | 11482-04420 | Gasket, Clutch Cover |
| 4 | 02112-06205 | Screw (black) |
| 4 | 02112-06203 | Screw (green) |
| 5 | 02112-06255 | Screw (black) |
| 5 | 02112-06253 | Screw (green) |
| 6 | 02112-06305 | Screw (black) |
| 6 | 02112-06303 | Screw (green) |
| 7 | 02112-06455 | Screw (black) |
| 7 | 02112-06453 | Screw (green) |
| 8 | 04211-09129 | Pin |
| 9 | 09128-06044 | Screw, Oil Level |
| 10 | 09168-06004 | Gasket |
| 11 | 09248-14001 | Plug, Oil Filler |
| 12 | 09168-14001 | Gasket |





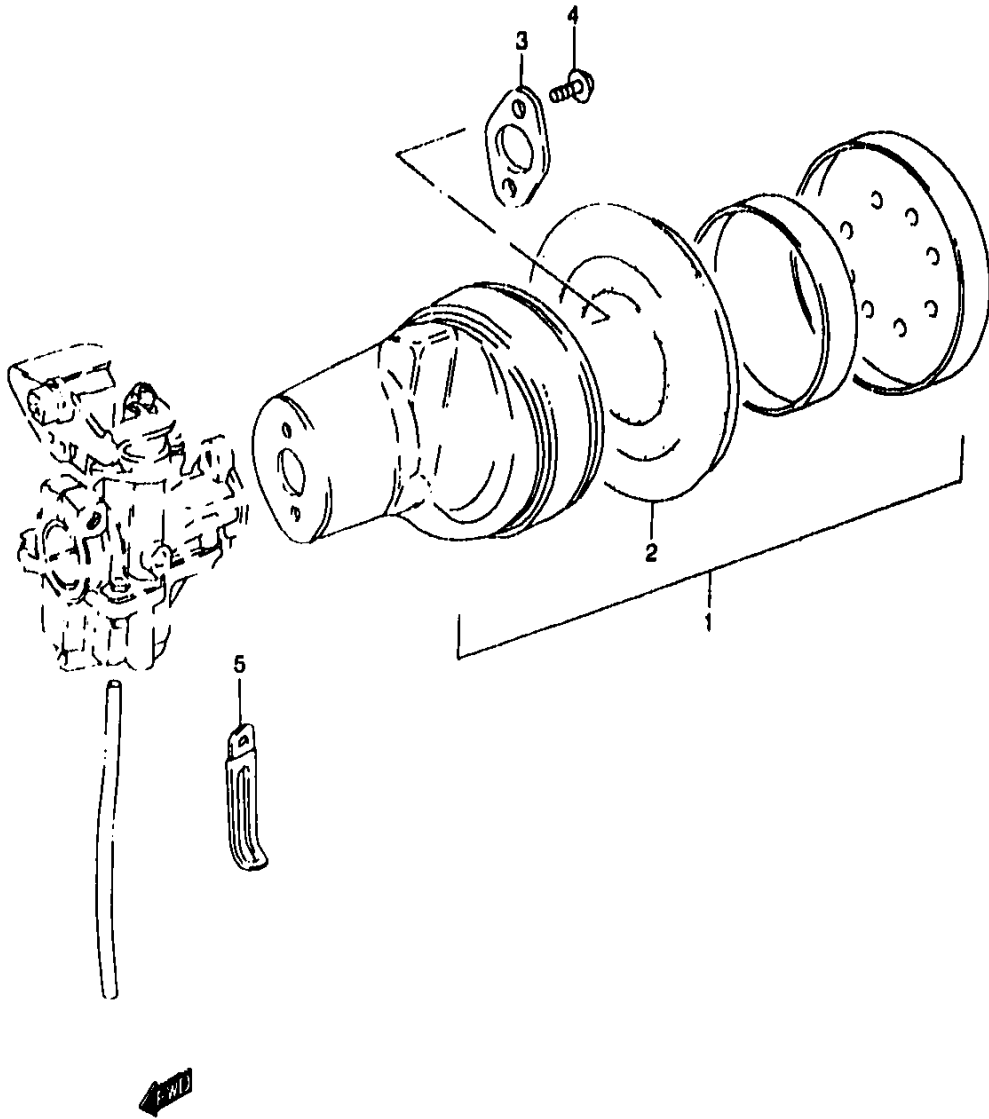
| Ref No | Part No | Description |
|--------|-----------------|------------------------|
| 1 | 12110-35613-0F0 | Piston |
| 2 | 12140-16B10 | Ring Set, Piston |
| 3 | 12151-04700 | Pin, Piston |
| 4 | 09263-12023 | Bearing, Piston Pin |
| 5 | 09381-12001 | Circlip |
| 6 | 12200-04001 | Crankshaft Assy |
| 7 | 12221-04000 | . Crankshaft, Rh |
| 8 | 12261-04000 | . Crankshaft, Lh |
| 9 | 12161-04001 | . Rod, Connecting |
| 10 | 09263-15014 | . Bearing |
| 11 | 12211-04000 | . Pin, Crank |
| 12 | 09283-22001 | Oil Seal, Rh (22x40x8) |
| 13 | 09262-17023 | Bearing (17x40x12) |
| 14 | 09283-17010 | Oil Seal, Lh (17x29x7) |
| 15 | 12103-43820-050 | Piston Set (os:0.5) |
| 15 | 12103-43820-100 | Piston Set (os:1.0) |

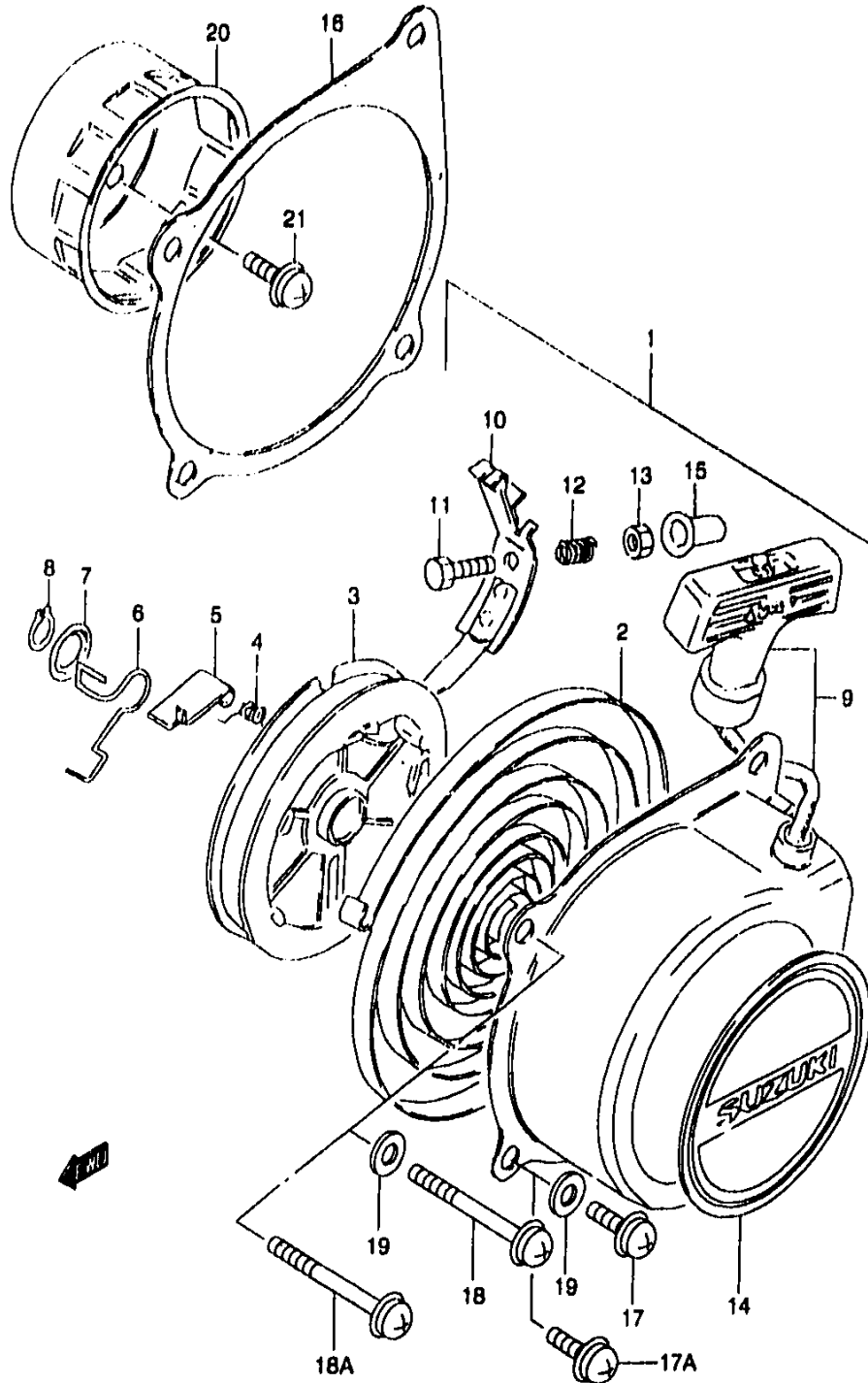




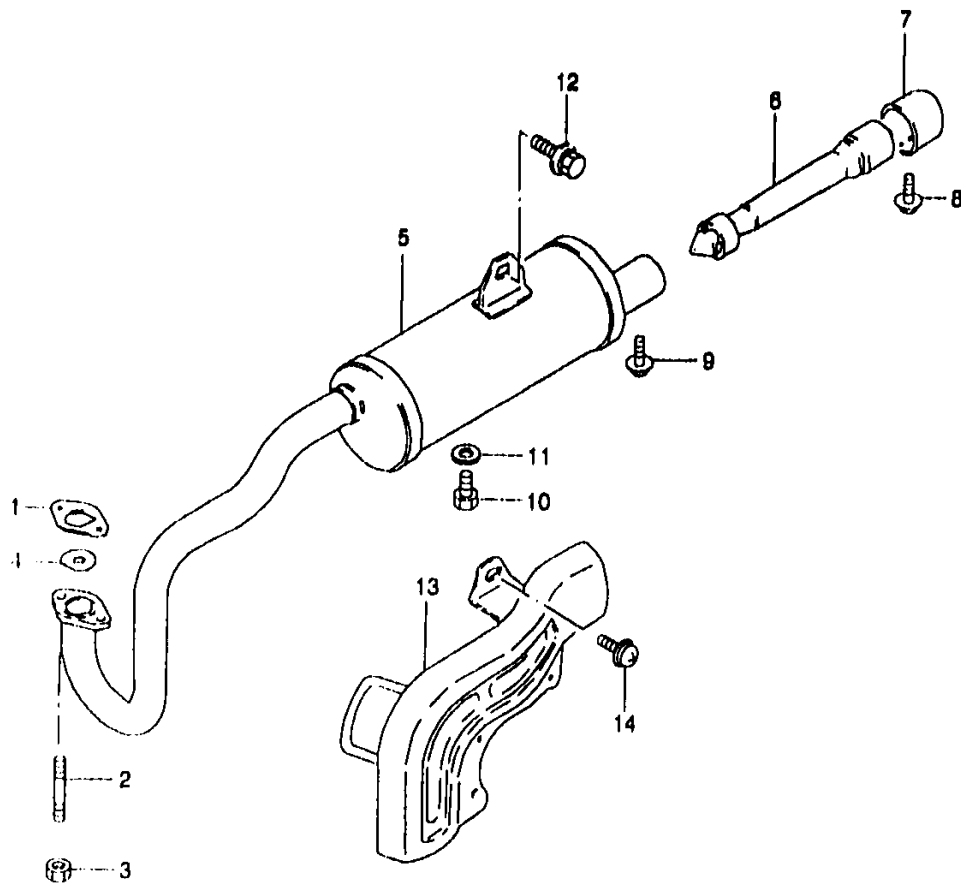
| Ref No | Part No | Description |
|--------|-----------------|-------------------------------|
| | 13200-04431 | Carburetor Assy |
| | 13200-04440 | Carburetor Assy |
| 1 | 13251-04110 | . Gasket, Float Chamber |
| 2 | 09492-15015 | . Jet, Pilot No.1 (15) |
| 3 | 09492-15009 | . Jet, Pilot No.2 (0.38) |
| 4 | 09491-57003 | . Jet, Main (57.5) |
| 5 | 09494-00380 | . Jet, Needle (e-6) |
| 6 | 13383-19010 | . Needle, Jet (3e3-3) |
| 7 | 02112-04123 | . Screw |
| 8 | 08321-01043 | . Lock Washer |
| 9 | 13267-01010 | . Screw, Throttle Stop |
| 10 | 13268-01010 | . Spring, Stop Screw |
| 11 | 13387-04430 | . Seat, Throttle Valve Spring |
| 12 | 13394-40D00 | . Clip, Needle |
| 13 | 13573-27630 | . Spring, Throttle Valve |
| 14 | 13681-04010 | . Cap |
| 15 | 13682-98010 | . Cap, Starter |
| 16 | 13551-04430 | . Valve, Throttle (ca:3.0) |
| 17 | 13663-31010 | . Gasket, Valve Seat |
| 18 | 13370-04110 | . Valve, Needle |
| 18 | 13370-04440 | . Valve, Needle |
| 19 | 02112-04103 | . Screw |
| 20 | 08321-01043 | . Lock Washer |
| 21 | 13417-18630 | . Spring, Starter Valve |
| 22 | 13411-04410 | . Valve, Starter |
| 23 | 13269-04010 | . Screw, Pilot Air |
| 24 | 13268-01010 | . Spring |
| 25 | 02112-06123 | . Screw |
| 26 | 08321-01063 | . Lock Washer |
| 27 | 13247-05010 | . Plug, Drain |
| 28 | 13249-05010 | . Gasket, Drain Plug |
| 29 | 13435-33110 | . Ball |
| 30 | 13434-30650 | . Spring |
| 31 | 09355-45855-600 | . Hose |
| 32 | 09352-30503-600 | . Hose, Over Flow (5x3x300) |
| 33 | 09352-30503-600 | . Hose, Air Vent (5x3x300) |
| 34 | 13413-04420 | . Lever, Starter |
| 35 | 13424-30650 | . Ring |
| 36 | 13252-04011 | . Float |
| 37 | 13254-04010 | . Pin |

| Ref No | Part No | Description |
|--------|-------------|-----------------------------|
| 1 | 13700-04400 | Cleaner Assy, Air |
| 2 | 13781-04400 | • Element |
| 3 | 13883-04400 | Plate |
| 4 | 02112-35103 | Screw |
| 5 | 09404-06432 | Clamp, Carburetor Over Flow |



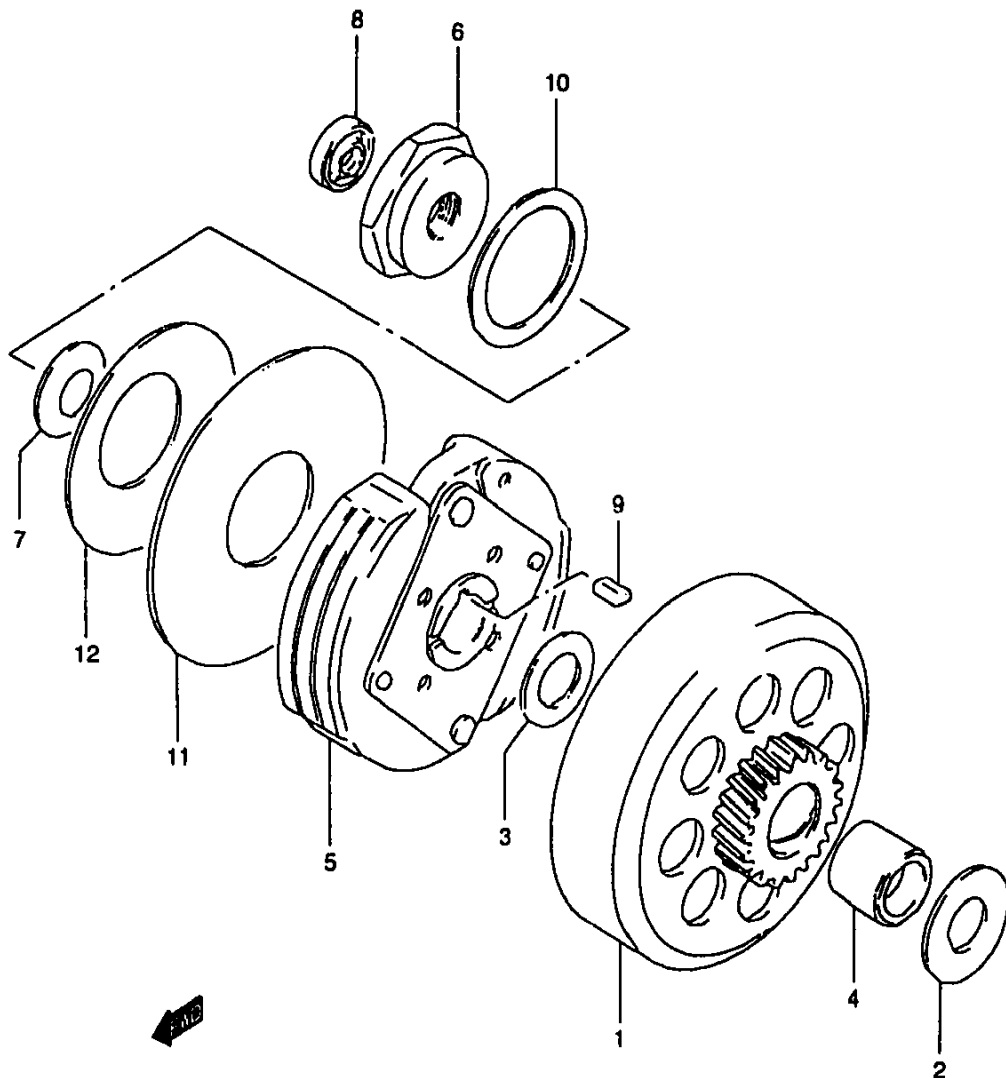


| Ref No | Part No | Description |
|--------|-------------|------------------------|
| 1 | 18100-04415 | Starter Assy, Recoil |
| 2 | 18142-04410 | . Spring, Spiral |
| 3 | 18121-04410 | . Reel |
| 4 | 18155-04410 | . Spring, Return |
| 5 | 18131-04410 | . Ratchet |
| 6 | 18294-04412 | . Lever |
| 7 | 09181-10186 | . Washer |
| 8 | 08331-31106 | . Circlip |
| 9 | 18200-04411 | . Rope Assy |
| 10 | 18280-04411 | . Lever Assy |
| 11 | 18291-04410 | . Bolt |
| 12 | 18292-04410 | . Spring |
| 13 | 08313-10053 | . Nut |
| 14 | 18250-04412 | . Emblem |
| 15 | 18295-04410 | . Cap |
| 16 | 18299-04411 | Gasket, Recoil Starter |
| 17 | 02112-06125 | Screw |
| 17a | 02112-16123 | Screw |
| 17a | 01547-06123 | Bolt |
| 18 | 02112-06553 | Screw |
| 18a | 02112-16553 | Screw |
| 18a | 01547-06553 | Bolt |
| 19 | 08322-01063 | Washer |
| 20 | 18411-04410 | Cup, Starter |
| 21 | 02112-36123 | Screw |

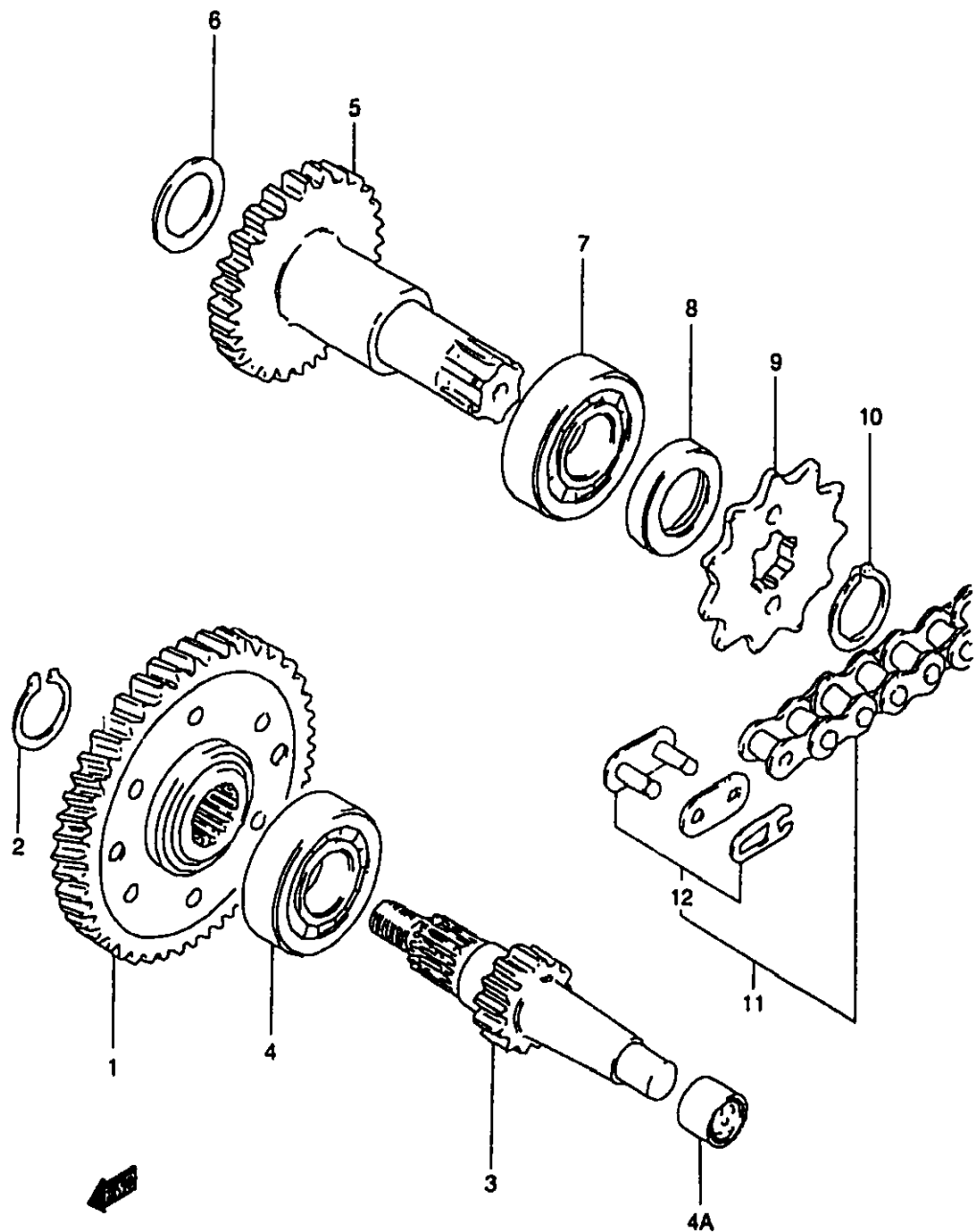


| Ref No | Part No | Description |
|--------|-----------------|---------------------------|
| 1 | 14181-04200 | Gasket, Exhaust Pipe (na) |
| 2 | 01411-06127 | Stud Bolt |
| 3 | 08310-00063 | Nut |
| 4 | 14159-04410 | Plate, Exhaust Pipe |
| 5 | 14301-04602-H01 | Muffler Assy |
| 6 | 14850-30602 | . Tube, Clean Out |
| 7 | 14817-46600 | . Cutter, Muffler Tail |
| 8 | 02112-36083 | . Screw |
| 9 | 02112-36163 | . Screw |
| 10 | 09247-12103 | . Plug, Drain |
| 11 | 09168-12002 | . Gasket |
| 12 | 01580-08203 | Bolt |
| 13 | 14186-04601 | Cover, Exhaust Pipe |
| 14 | 02112-76163 | Screw |

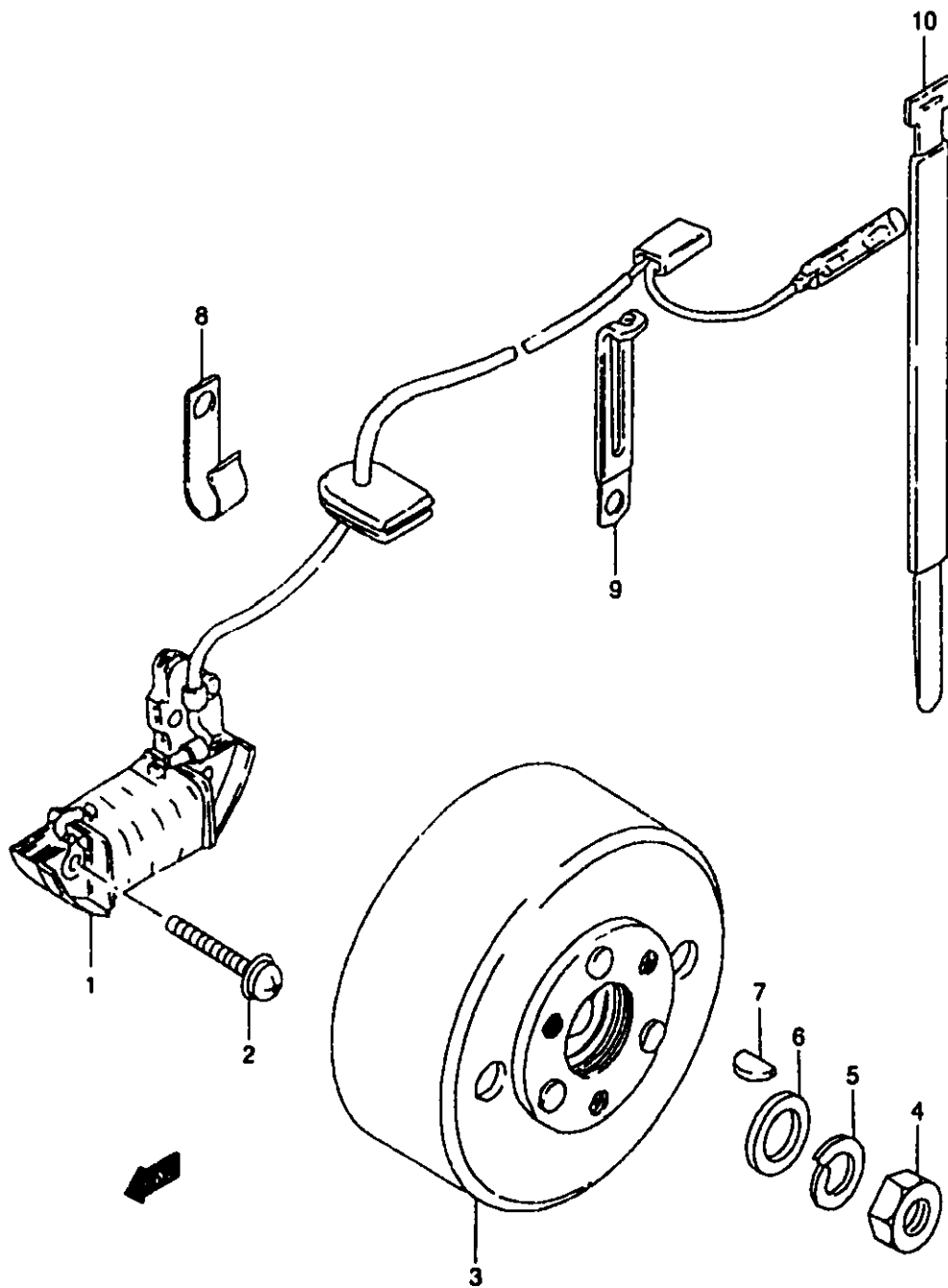




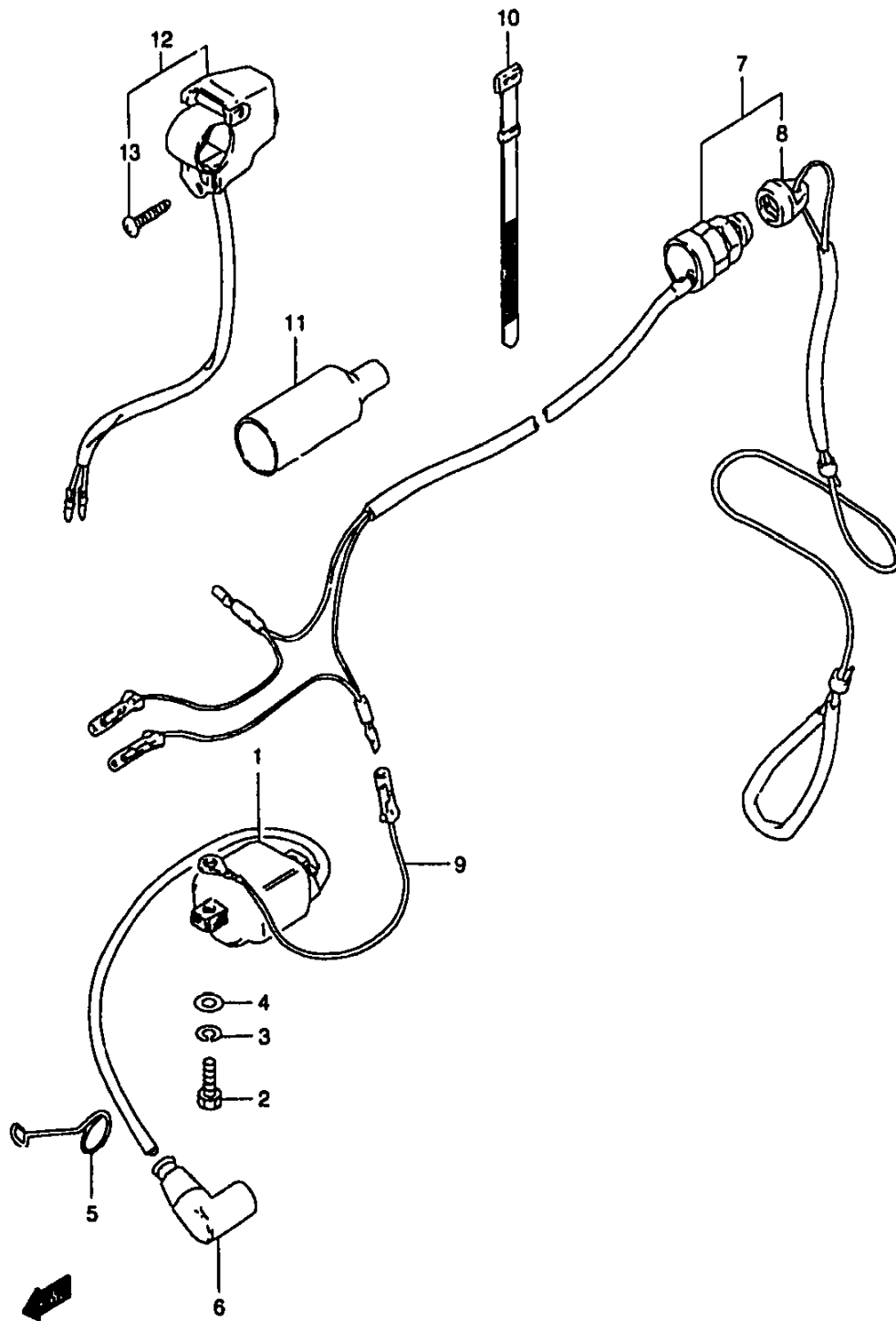
| Ref No | Part No | Description |
|--------|-------------|---------------------------|
| 1 | 21110-04410 | Gear Assy, Primary Drive |
| 2 | 09160-14046 | Thrust Washer (14x29x1.5) |
| 3 | 09160-14012 | Thrust Washer (14x24x3) |
| 4 | 09180-14003 | Spacer (14x19x18) |
| 5 | 21500-04411 | Clutch Assy |
| 6 | 09159-12012 | Nut |
| 7 | 09164-12020 | Washer (12.2x22x1.2) |
| 8 | 09284-08001 | Oil Seal |
| 9 | 09421-03003 | Key |
| 10 | 09181-32111 | Thrust Washer (32x38x1) |
| 11 | 21471-04410 | Plate |
| 12 | 09164-32002 | Wave Washer |



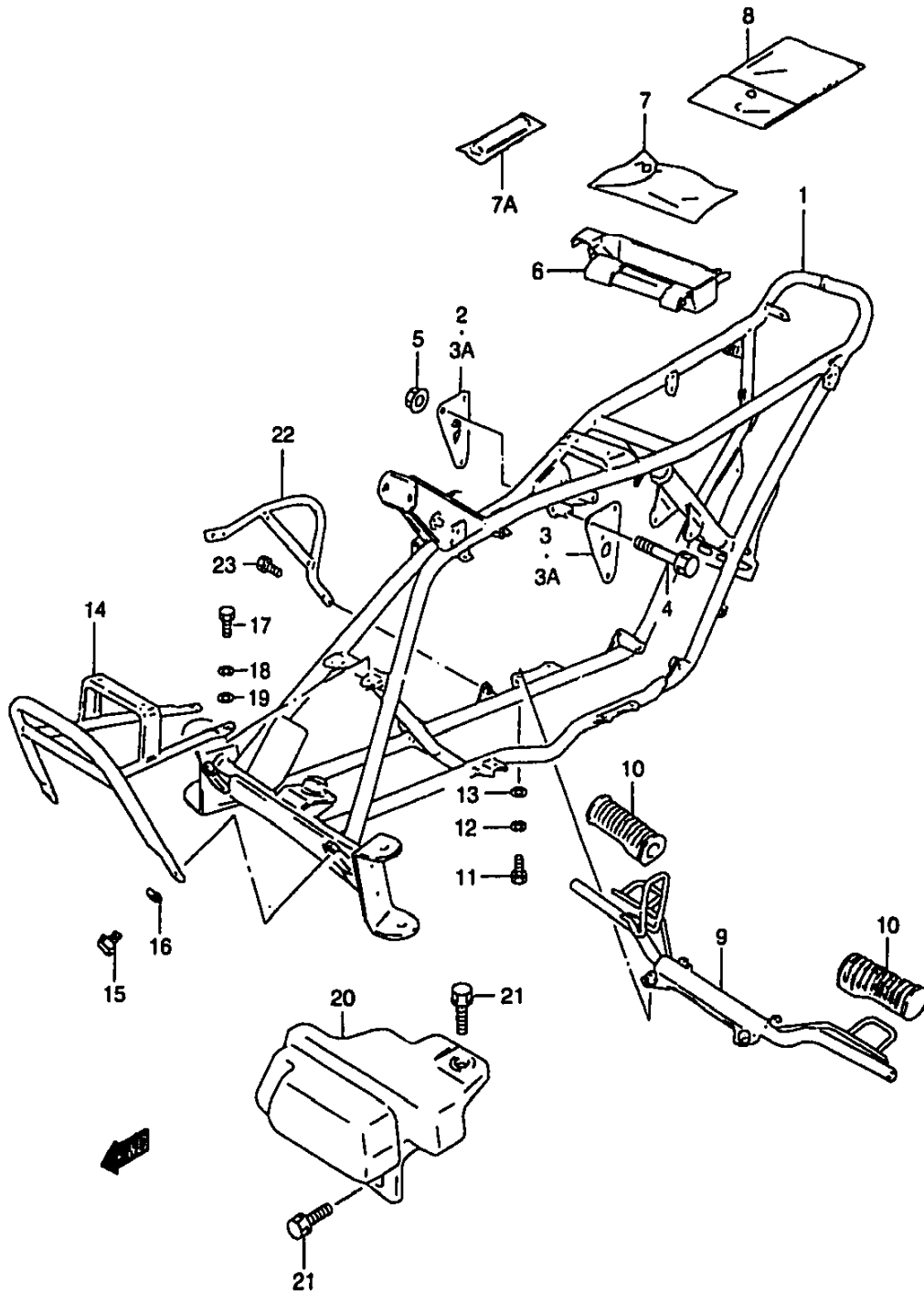
| Ref No | Part No | Description |
|--------|-----------------|----------------------------|
| 1 | 21200-04501 | Gear Assy, Primary Driven |
| 2 | 09380-17003 | Circlip |
| 3 | 24121-04400 | Counter Shaft |
| 4 | 09262-17023 | Bearing (17x40x12) |
| 4a | 09304-10005 | Bushing, Counter Shaft |
| 5 | 24130-04400 | Drive Shaft |
| 6 | 09181-17223 | Thrust Washer (17x30x1.0) |
| 7 | 09262-17023 | Bearing (17x40x12) |
| 8 | 09283-17010 | Oil Seal (17x29x7) |
| 9 | 27511-01701 | Sprocket, Engine (nt:11) |
| 10 | 08331-31166 | Circlip |
| 11 | 27600-01011-078 | Chain, Drive (did420, 78l) |
| 12 | 27620-01023 | • . Joint (rk) |
| 12 | 27620-01012 | Joint (did) |



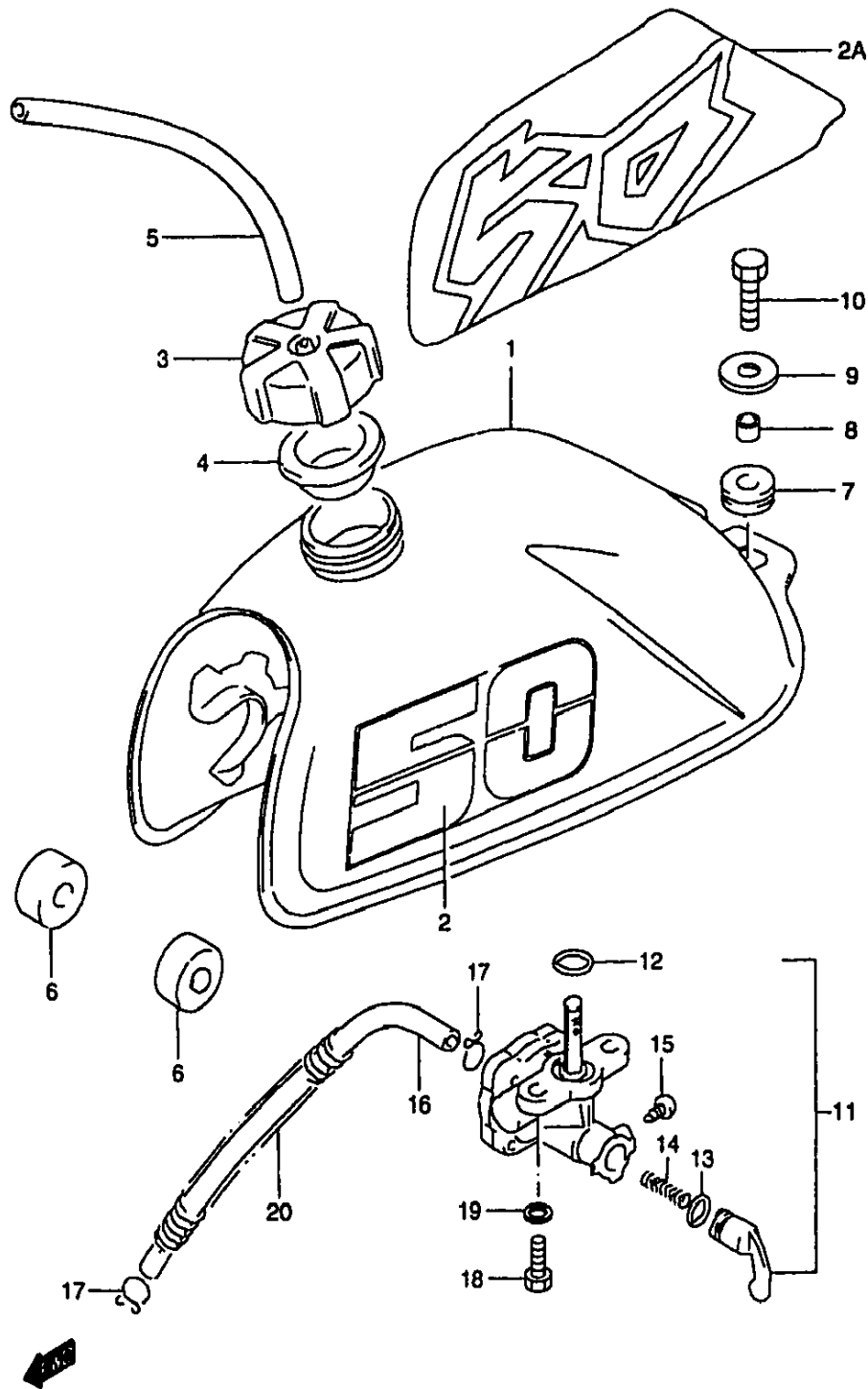
| Ref No | Part No | Description |
|--------|-------------|--------------------|
| 1 | 32101-04432 | Coil Assy, Primary |
| 2 | 02112-34253 | Screw |
| 3 | 32102-04430 | Rotor, Flywheel |
| 4 | 08310-00103 | Nut |
| 5 | 08321-01103 | Lock Washer |
| 6 | 08322-01103 | Washer |
| 7 | 08341-31039 | Key |
| 8 | 09403-05303 | Clamp |
| 9 | 09404-06432 | Clamp (l:80) |
| 10 | 09407-14301 | Clamp (l:140) |
| 10 | 09407-14403 | Clamp (l:125) |



| Ref No | Part No | Description |
|--------|-------------|----------------------------|
| 1 | 33410-35340 | Unit & Coil Assy, Ignition |
| 2 | 09128-06057 | Bolt (6x20) |
| 3 | 08321-01067 | Lock Washer |
| 4 | 08322-01067 | Washer |
| 5 | 34949-30002 | Guide, Hightension Cord |
| 6 | 33510-87D20 | Cap, Spark Plug |
| 7 | 37820-04601 | Switch Assy, Emergency |
| 8 | 37823-04600 | • . Cap |
| 9 | 36851-02900 | Lead Wire, Earth |
| 10 | 09407-12402 | Clamp (l:120) |
| 10 | 09407-18401 | Clamp (l:180) |
| 11 | 36618-44200 | Cover, Wire |
| 12 | 37400-04601 | Switch Assy, Handle Lh |
| 13 | 02112-05163 | • . Screw |



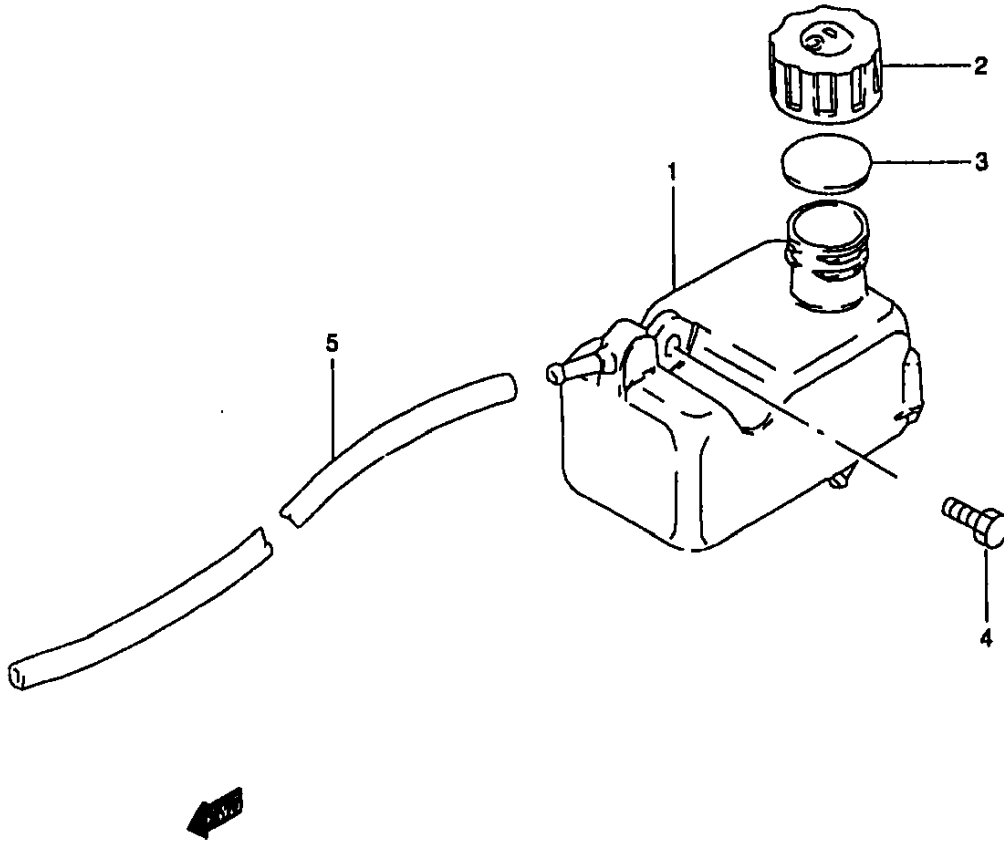
| Ref No | Part No | Description |
|--------|-----------------|--------------------|
| 1 | 41100-04211-019 | Frame (black) |
| 1 | 41100-04220-019 | Frame (black) |
| 2 | 41911-04200 | Plate, Mounting Rh |
| 3 | 41920-04200 | Plate, Mounting Lh |
| 3a | 41920-04200 | Plate, Mounting |
| 4 | 01550-08703 | Bolt |
| 5 | 08319-31087 | Nut |
| 6 | 47431-04200 | Holder, Tool |
| 7 | 09800-21027 | Tool Set |
| 7a | 96200-18A01 | Gauge, Air |
| 8 | 94980-04200 | Bag, Manual |
| 9 | 43510-04200 | Footrest, Front |
| 10 | 43551-03001 | Rubber |
| 11 | 01500-08163 | Bolt |
| 11 | 01580-08163 | Bolt |
| 12 | 08321-01087 | Lock Washer |
| 13 | 08322-01087 | Washer |
| 14 | 43990-04200 | Grip, Front |
| 15 | 01500-08163 | Bolt |
| 15 | 01570-08163 | Bolt, Upper |
| 16 | 08321-01083 | Lock Washer |
| 17 | 01500-06123 | Bolt, Upper |
| 17 | 01580-06123 | Bolt, Upper |
| 18 | 08321-01063 | Lock Washer |
| 19 | 08322-01063 | Washer |
| 20 | 43999-04220 | Weight, Front |
| 21 | 01570-08253 | Bolt, Weight |
| 22 | 94280-04200 | Guard, Engine |
| 23 | 01570-06123 | Bolt |

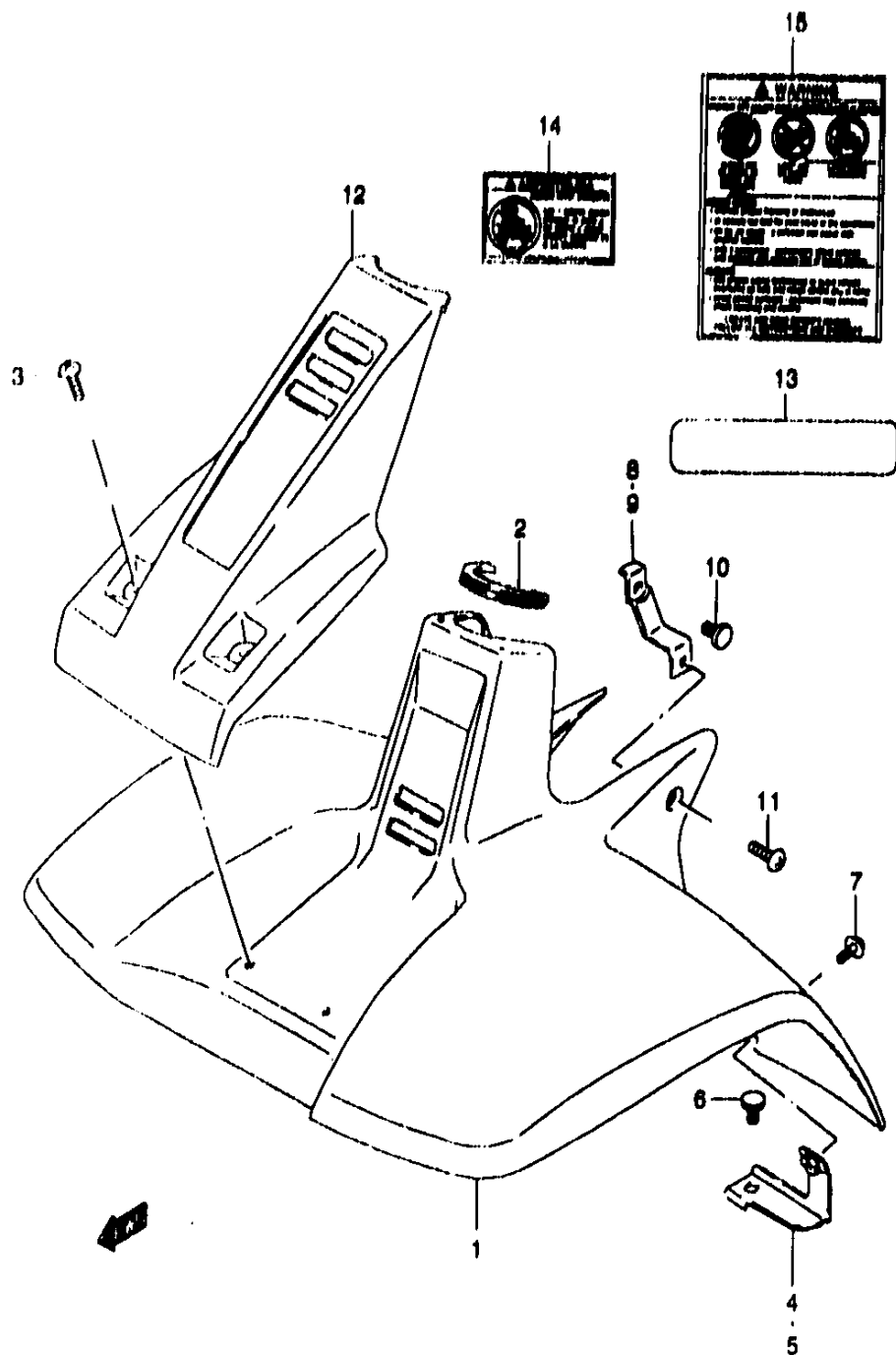


FUEL TANK

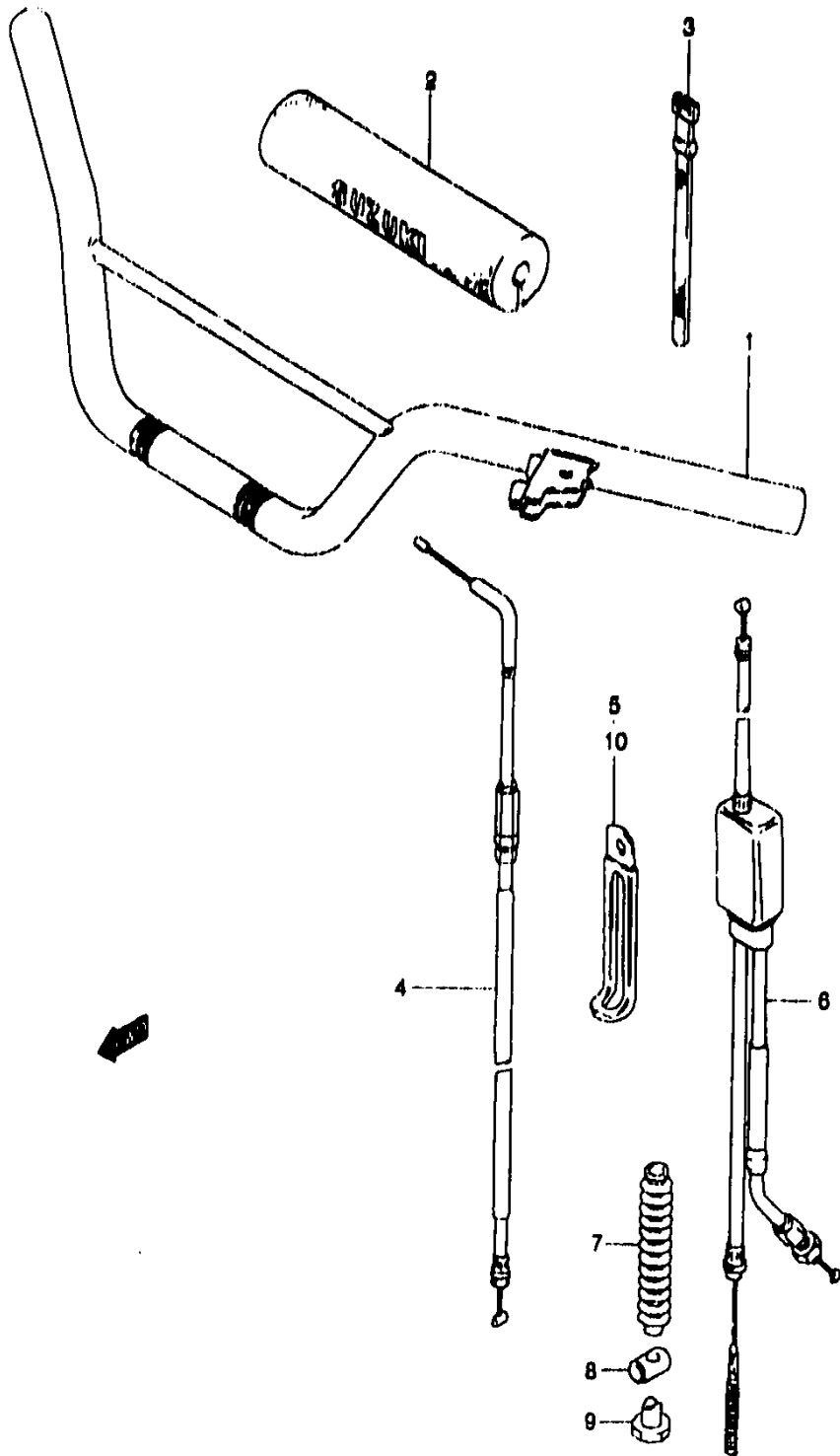
| Ref No | Part No | Description |
|--------|-----------------|-----------------------------|
| 1 | 44110-04600-14L | Tank Assy, Fuel (white) |
| 1 | 44110-04600-25Y | Tank Assy, Fuel (yellow) |
| 2a | 68110-04230-MOB | Tape Set |
| 3 | 44211-04600 | Cap, Fuel Tank |
| 4 | 44248-04600 | Gasket |
| 5 | 09352-50823-600 | Hose, Breather (l:600->260) |
| 6 | 09329-10005 | Cushion, Front |
| 7 | 09320-09002 | Cushion, Rear |
| 8 | 09180-06038 | Spacer |
| 9 | 09160-06004 | Washer |
| 10 | 01500-06167 | Bolt |
| 10 | 09116-06005 | Bolt |
| 11 | 44300-04450 | Cock Assy, Fuel |
| 12 | 44348-41370 | • O Ring, Joint |
| 13 | 44353-41370 | • O Ring, Lever |
| 14 | 44357-32470 | • Spring |
| 15 | 44343-41370 | • Screw |
| 16 | 09352-50823-600 | Hose, Fuel (l:600->150) |
| 17 | 09401-08401 | Clip |
| 18 | 09125-06044 | Screw |
| 19 | 08321-01063 | Lock Washer |
| 20 | 09440-10019 | Spring |

| Ref No | Part No | Description |
|--------|-----------------|-----------------------------|
| 1 | 44611-04600 | Tank, Oil |
| 2 | 44651-05003 | Cap |
| 3 | 44661-27000 | Gasket |
| 4 | 09116-06024 | Bolt |
| 5 | 09352-50823-600 | Hose, Breather (l:600->370) |

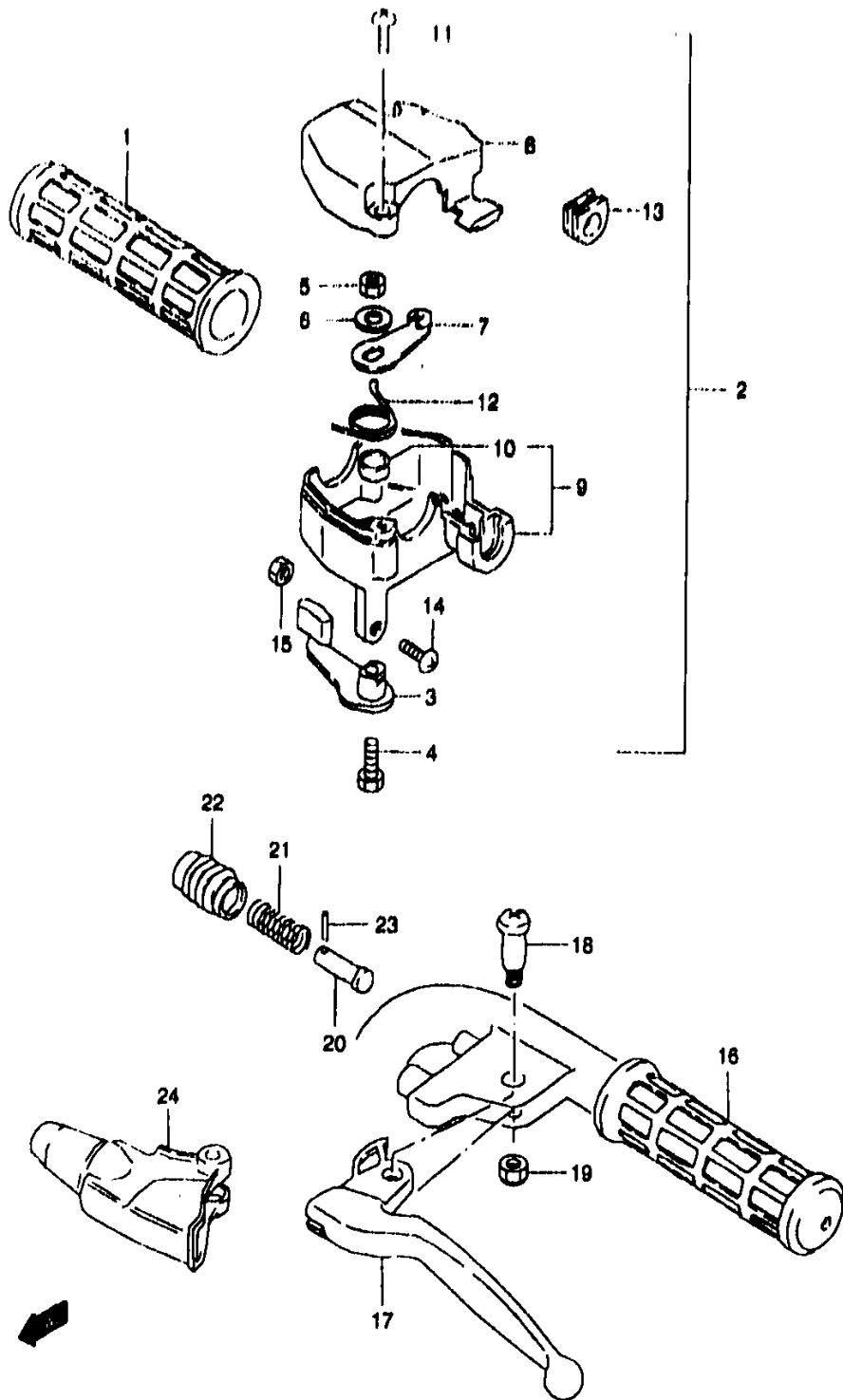




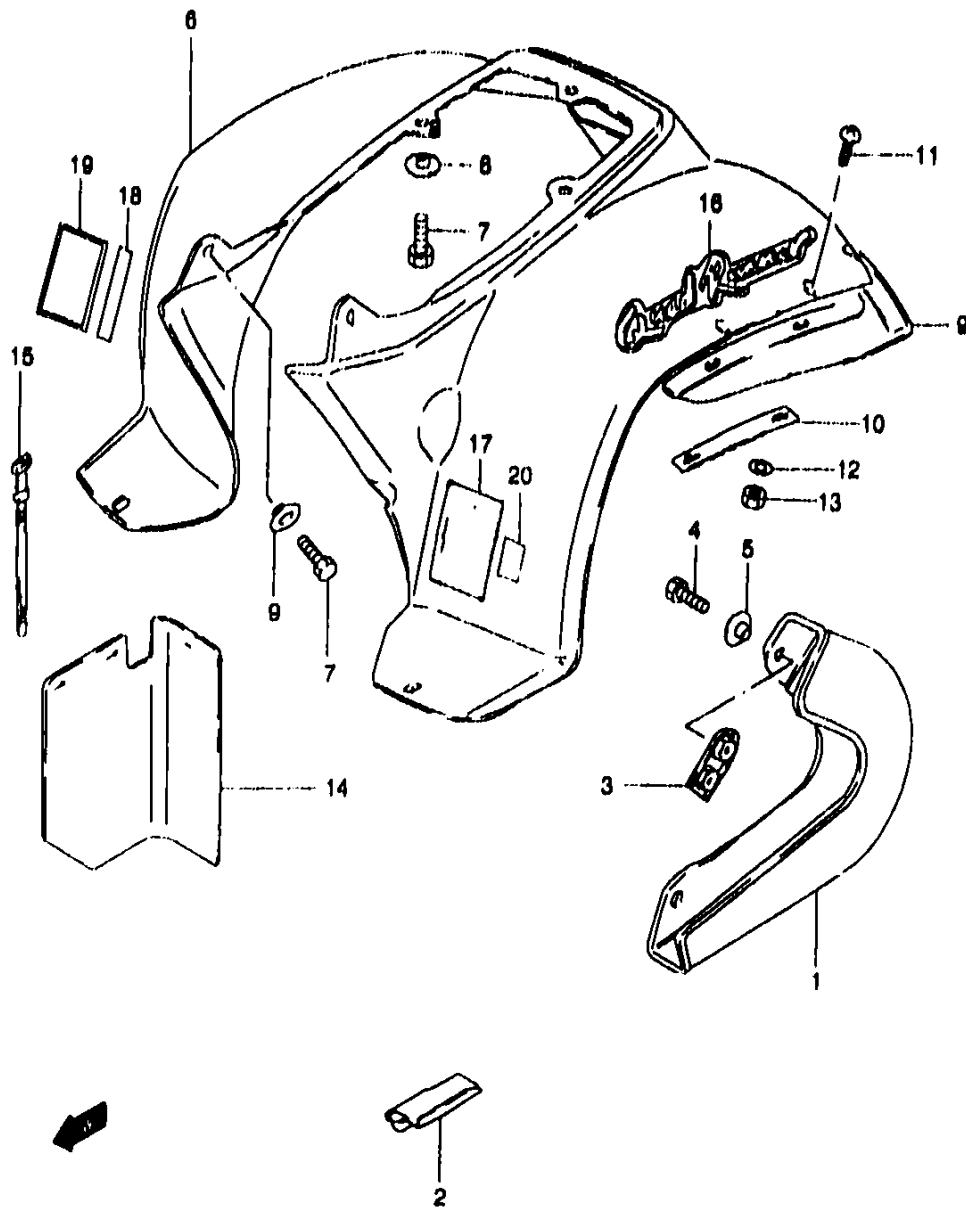
| Ref No | Part No | Description |
|--------|-----------------|-----------------------------------|
| 1 | 53111-04201-25Y | Fender, Front (yellow) |
| 1 | 53111-04201-14L | Fender, Front (white) |
| 2 | 58628-04200 | Molding |
| 2 | 94527-19C00 | Molding |
| 3 | 09136-06062 | Screw, Fender Center |
| 4 | 53270-04200 | Bracket, Fender Lower, Rh |
| 5 | 53280-04200 | Bracket, Fender Lower, Lh |
| 6 | 01570-06123 | Bolt |
| 7 | 09136-06004 | Screw, Fender Lower |
| 8 | 53170-04200 | Bracket, Fender Side, Rh |
| 9 | 53180-04200 | Bracket, Fender Side, Lh |
| 10 | 01570-06123 | Bolt |
| 11 | 09136-06004 | Screw |
| 12 | 53118-04200-19F | Cover, Front Fender Center (blue) |
| 13 | 68343-04600 | Label, Parking Brake |
| 13 | 68343-04650 | Label, Parking Brake |
| 14 | 68367-20B50 | Label, No Passender |
| 14 | 68367-20B60 | Label, No Passender |
| 14 | 68367-09F50 | Label, No.passender |
| 15 | 68921-04200 | Label, General Warning |
| 15 | 68921-04260 | Label, General Warning |
| 15 | 68921-04250 | Label, General Warning |



| Ref No | Part No | Description |
|--------|-----------------|------------------------|
| 1 | 56110-04200-291 | Handlebar (black) |
| 1 | 56110-04210-291 | Handlebar (black) |
| 2 | 56172-04600 | Pad, Cross |
| 3 | 09407-18401 | Clamp |
| 4 | 58300-04201 | Cable Assy, Throttle |
| 4 | 58300-04210 | Cable Assy, Throttle |
| 5 | 09404-06429 | Coamp |
| 6 | 58500-04202 | Cable Assy, Rear Brake |
| 6 | 58500-04210 | Cable Assy, Rear Brake |
| 7 | 58550-04200 | . Boot |
| 8 | 09209-10001 | . Pin |
| 9 | 09150-05101 | . Nut |
| 10 | 09404-06432 | Clamp |
| 10 | 09404-06207 | Clamp |

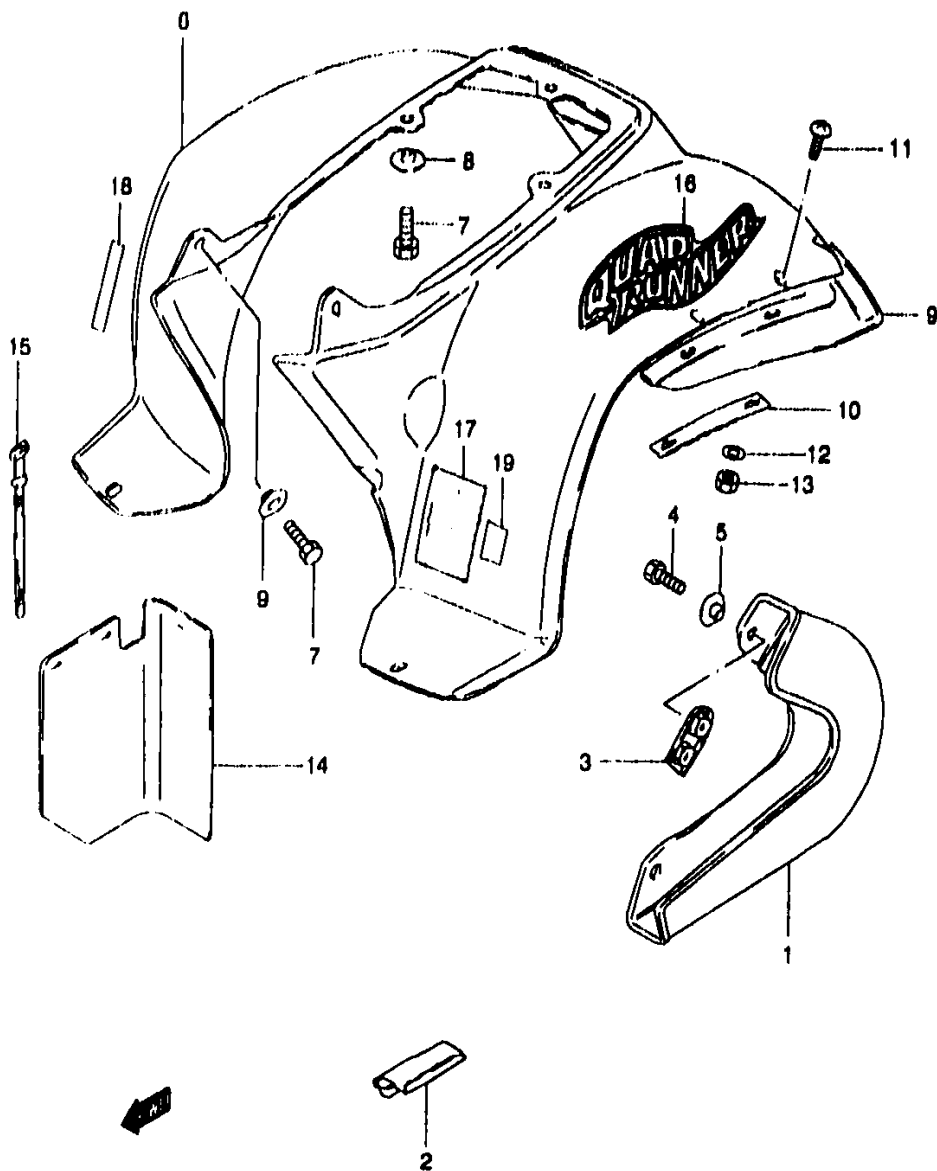


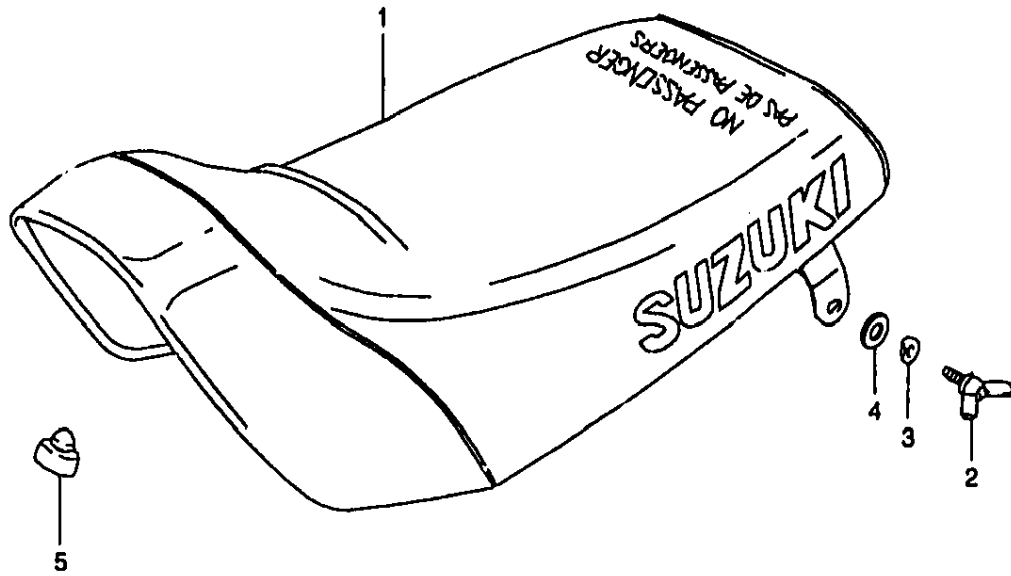
| Ref No | Part No | Description |
|--------|-------------|-----------------------------|
| 1 | 57211-04600 | Grip |
| 2 | 57100-04200 | Case Assy, Throttle |
| 3 | 57112-04602 | . . Lever, Throttle |
| 4 | 01500-06203 | . . Bolt |
| 5 | 08319-21068 | . . Nut |
| 6 | 09160-06028 | . . Washer |
| 7 | 57114-04600 | . . Arm, Throttle Lever |
| 8 | 57121-04200 | . . Case, Throttle, Upper |
| 9 | 57130-04200 | . . Case, Throttle, Lower |
| 10 | 57136-04600 | •• . Bush |
| 11 | 02112-05163 | . . Screw |
| 12 | 57134-04600 | . . Spring, Throttle Lever |
| 13 | 58333-04200 | . . Dust Seal |
| 14 | 02112-05203 | . . Screw |
| 15 | 09140-05006 | . . Nut |
| 16 | 57211-04600 | Grip |
| 17 | 57421-04200 | Lever, Brake |
| 17 | 57421-04201 | Lever, Brake |
| 18 | 57431-04600 | Screw, Brake Lever |
| 19 | 08319-21053 | Nut |
| 20 | 57781-04600 | Pin, Brake Lever Stopper |
| 21 | 57783-04600 | Spring, Brake Lever Stopper |
| 22 | 57784-04600 | Cover, Rear Brake Lever |
| 23 | 57785-04600 | Pin, Rear Brake Lever |
| 24 | 57341-04600 | Dust Cover, Brake Lever |



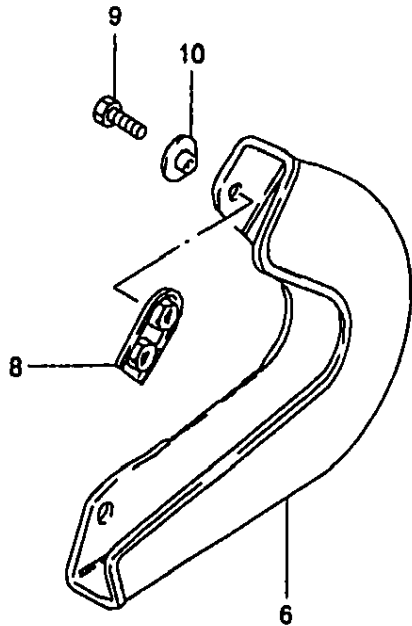
| Ref No | Part No | Description |
|--------|-----------------|--------------------------|
| 1 | 61311-04600 | Case, Chain (black) |
| 2 | 61321-04200 | Chain Case, Front |
| 3 | 61360-04600 | Support, Chain Case |
| 4 | 01500-06127 | Bolt |
| 5 | 09169-06010 | Washer |
| 6 | 63111-04600-25Y | Fender, Rear (yellow) |
| 6 | 63111-04600-14L | Fender, Rear (white) |
| 7 | 01570-06123 | Bolt |
| 8 | 09169-06016 | Washer |
| 9 | 63331-04600 | Mud Guard, Rear Fender |
| 10 | 63332-04600 | Plate |
| 11 | 02142-05127 | Screw |
| 12 | 08322-01053 | Washer |
| 13 | 08310-00053 | Nut |
| 14 | 63332-04200 | Mud Guard |
| 15 | 09407-12402 | Clamp |
| 16 | 68171-042A0-9SF | Emblem |
| 16 | 68171-042A0-96L | Emblem |
| 17 | 68366-04200-8JR | Label, Warning |
| 17 | 68366-04200-7TV | Label, Warning |
| 18 | 68343-04620 | Attention, Parking Brake |
| 19 | 68366-04210-8JR | Label, Attention |
| 19 | 68366-04210-7TV | Label, Attention |
| 20 | 68332-04210-14L | Label, Air Pressure |
| 20 | 68332-04210-25Y | Label, Air Pressure |
| 20 | 68332-04220-14L | Label, Air Pressure |
| 21 | 99011-04236-28B | Manual, Owner's |
| 21 | 99011-04236-02A | Manual, Owner's |

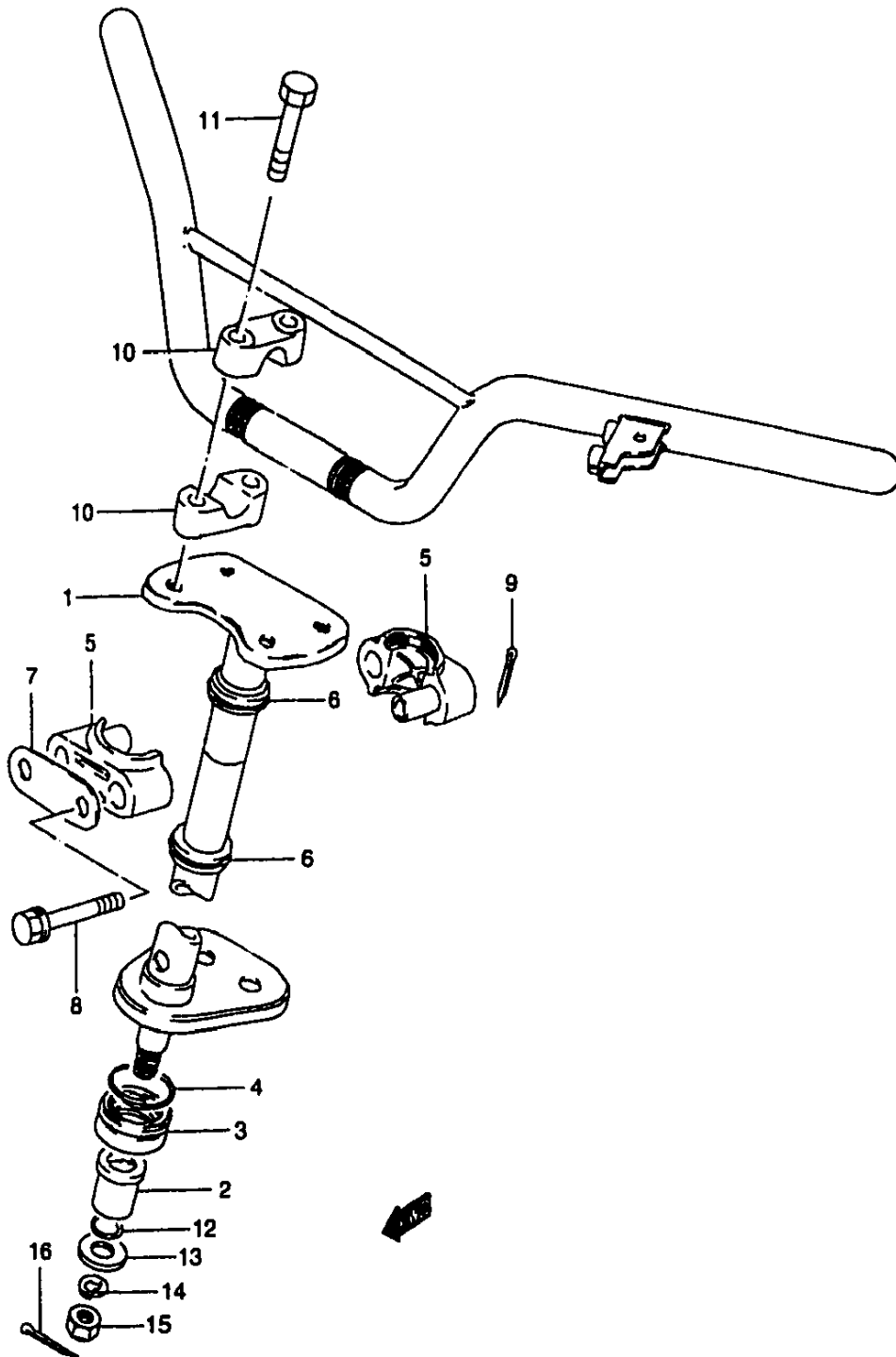
| Ref No | Part No | Description |
|--------|-----------------|--------------------------|
| 1 | 61311-04600 | Case, Chain (black) |
| 2 | 61321-04200 | Chain Case, Front |
| 3 | 61360-04600 | Support, Chain Case |
| 4 | 01500-06127 | Bolt |
| 5 | 09169-06010 | Washer |
| 6 | 63111-04610-25Y | Fender, Rear (yellow) |
| 6 | 63111-04610-14L | Fender, Rear (white) |
| 7 | 01570-06123 | Bolt |
| 8 | 09169-06016 | Washer |
| 9 | 63331-04600 | Mud Guard, Rear Fender |
| 10 | 63332-04600 | Plate |
| 11 | 02142-05127 | Screw |
| 12 | 08322-01053 | Washer |
| 13 | 08310-00053 | Nut |
| 14 | 63332-04200 | Mud Guard |
| 15 | 09407-12402 | Clamp |
| 16 | 68171-04230-MOD | Emblem |
| 16 | 68171-04230-MOC | Emblem |
| 17 | 68367-04250 | Label, Age.6 |
| 17 | 68367-04260 | Label, Age.6 |
| 17 | 68367-04270 | Label, Age.6 |
| 18 | 68343-04620 | Attention, Parking Brake |
| 19 | 68332-04231 | Label, Air Pressure |
| 19 | 68332-04240 | Label, Air Pressure |
| 19 | 68332-04250 | Label, Air Pressure |
| 20 | 99011-04237-01D | Manual, Owner's |
| 20 | 99011-04237-02A | Manual, Owner's |





| Ref No | Part No | Description |
|--------|-----------------|----------------------|
| 1 | 45100-04630-4UZ | Seat Set (blue) |
| 1 | 45100-04650-4UZ | Seat Set (blue) |
| 1 | 45100-04650-4UZ | Seat Set (blue) |
| 2 | 45241-04600 | Bolt |
| 3 | 08321-01063 | Lock Washer |
| 4 | 09160-06084 | Washer (6.5x18x1.60) |
| 5 | 09321-10002 | Cushion |
| 6 | 61311-04600 | Case, Chain |
| 7 | 61321-04200 | Case, Chain Front |
| 8 | 61360-04600 | Support, Chain Case |
| 9 | 01500-06123 | Bolt |
| 10 | 09169-06010 | Washer |

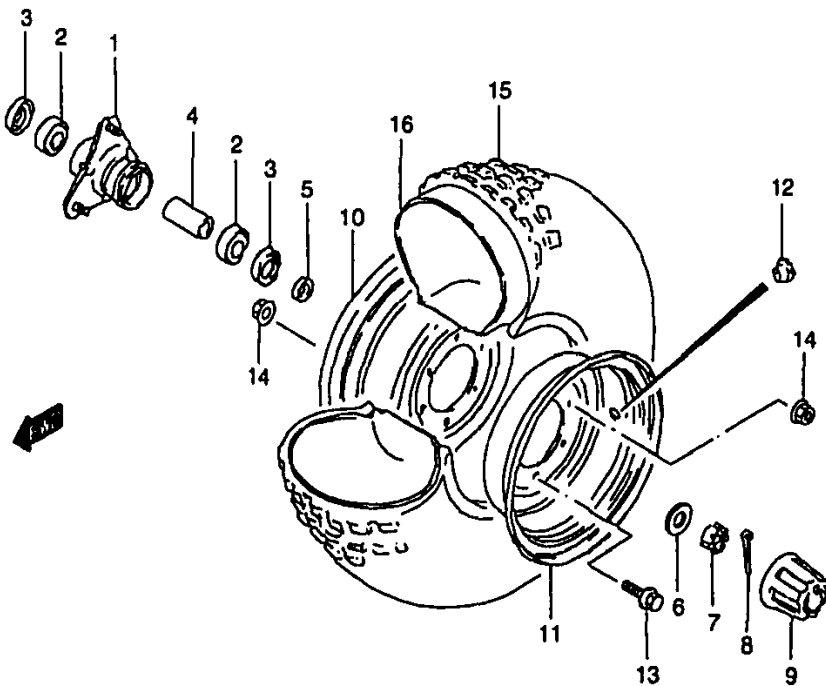
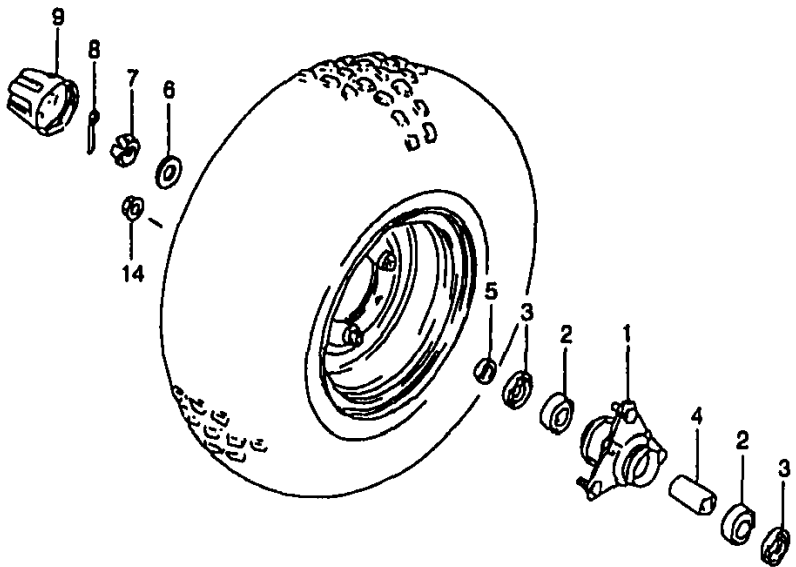


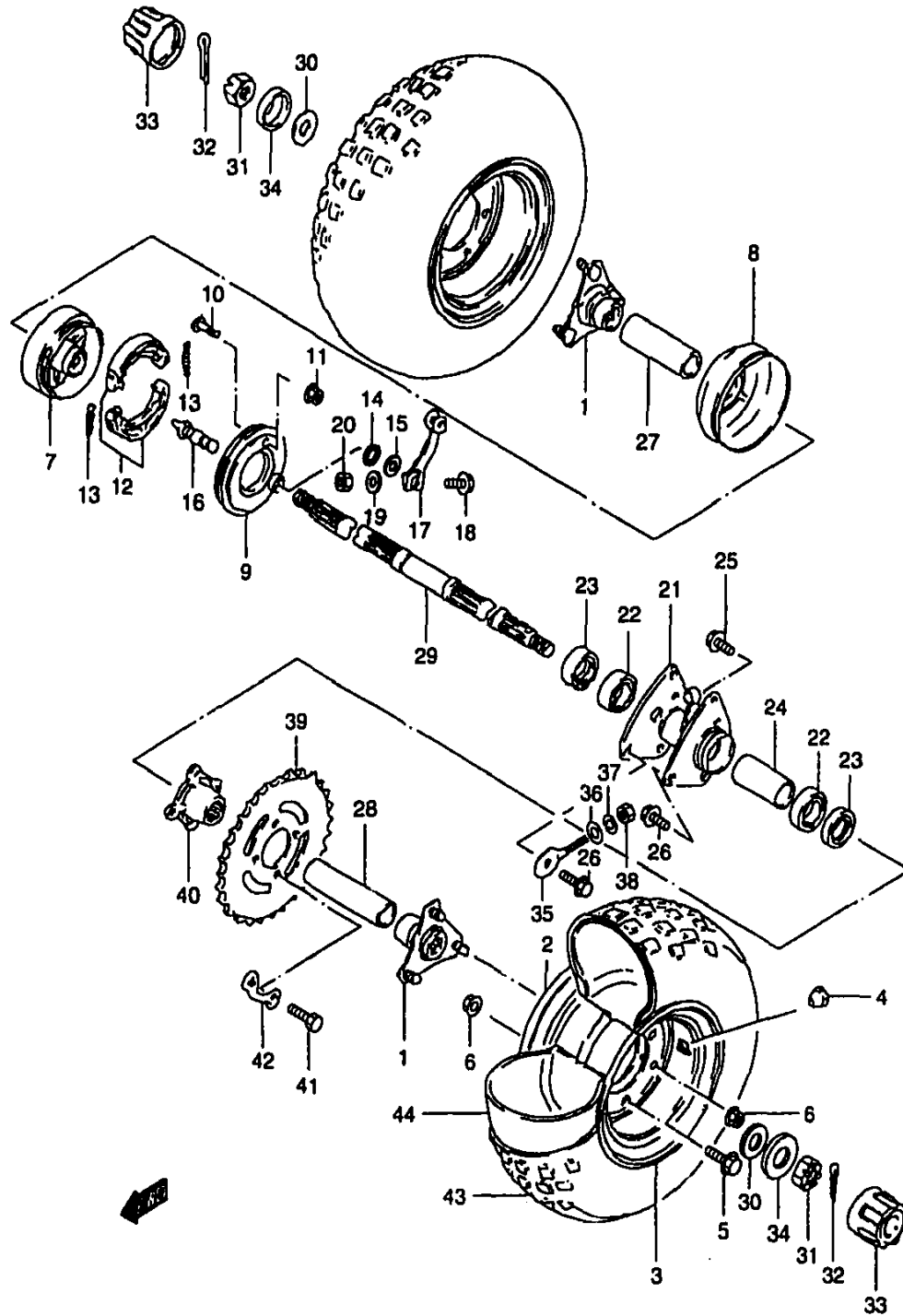


| Ref No | Part No | Description |
|--------|-------------|---------------------------|
| 1 | 51650-04200 | Shaft, Steering |
| 2 | 51661-40B00 | Bush, Steering Lower |
| 3 | 51662-18900 | Dust Seal, Steering Shaft |
| 4 | 09380-31002 | Clip, Dust Seal |
| 5 | 51670-18902 | Holder, Steering Shaft |
| 6 | 51678-18900 | Dust Seal, Steering |
| 7 | 51681-18900 | Reinforcement, Holder |
| 8 | 09103-08085 | Bolt (8x60) |
| 9 | 04111-20208 | Cotter Pin |
| 10 | 56211-04200 | Holder, Handlebar |
| 11 | 01254-08507 | Bolt |
| 12 | 09280-14011 | O Ring (id:13.8, D:2.50) |
| 13 | 09160-10132 | Washer (10.6x24x3.20) |
| 14 | 09162-10008 | Lock Washer |
| 15 | 08319-21103 | Nut |
| 16 | 04111-20208 | Cotter Pin |

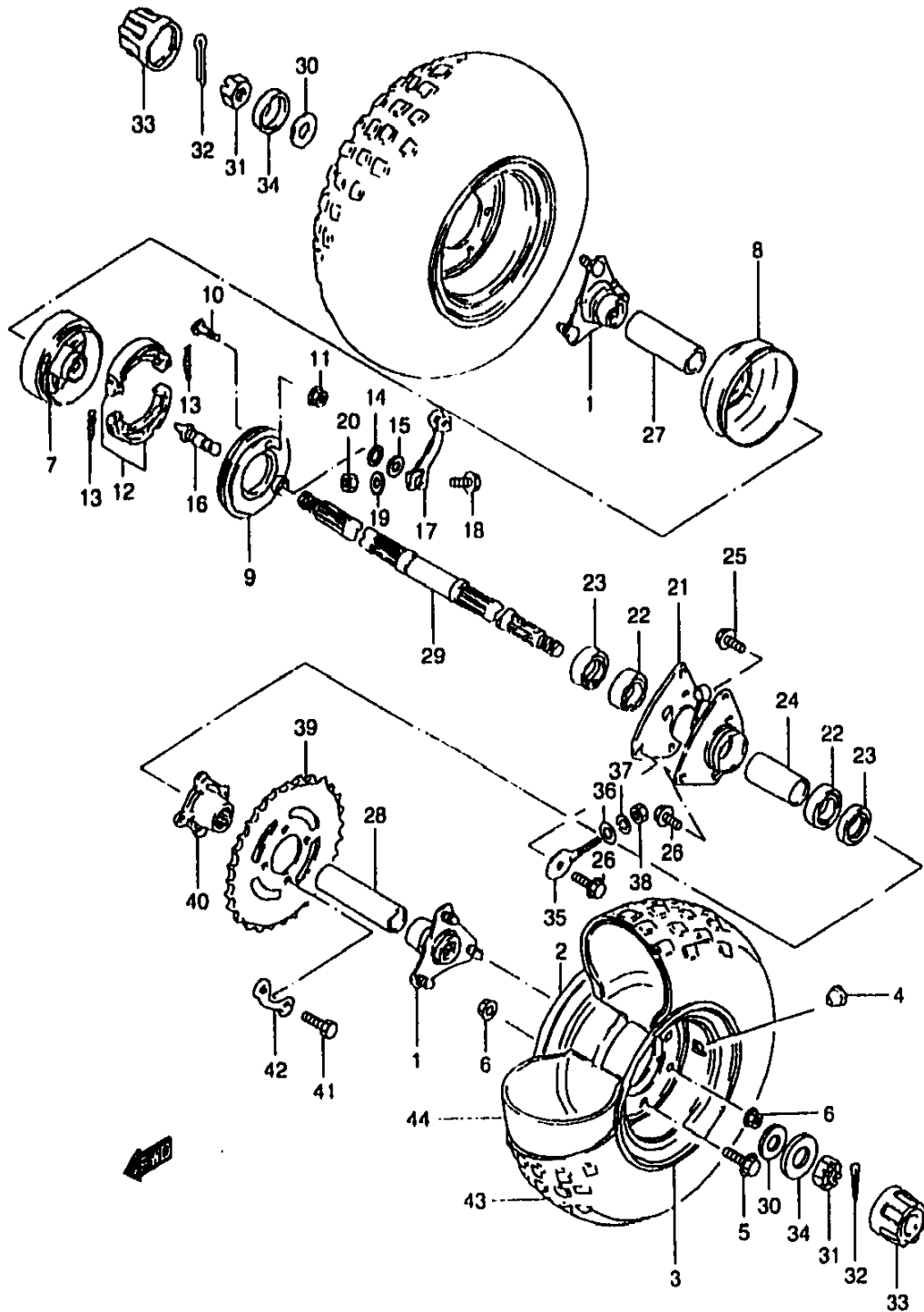
| Ref No | Part No | Description |
|--------|---------|-------------|
|--------|---------|-------------|

| | | |
|----|-------------|-----------------------------|
| 1 | 54110-04210 | Hub, Front |
| 2 | 08120-60027 | Bearing |
| 3 | 54841-04200 | Dust Seal, Front Hub |
| 4 | 54731-04200 | Spacer, Front Hub |
| 5 | 54741-04200 | Spacer, Front Axle |
| 6 | 08322-01143 | Washer |
| 7 | 08314-40143 | Nut |
| 8 | 04111-30308 | Cotter Pin |
| 9 | 54725-04200 | Cap, Wheel, Center (silver) |
| 12 | 09320-08065 | Bush, Wheel Rim |
| 13 | 01550-08123 | Bolt, Wheel Rim |
| 14 | 08316-10083 | Nut, Wheel Rim |
| 15 | 55100-04605 | Tire (145/70-6)(golden Boy) |
| 16 | 55200-04605 | Tube Assy, Wheel Inner |

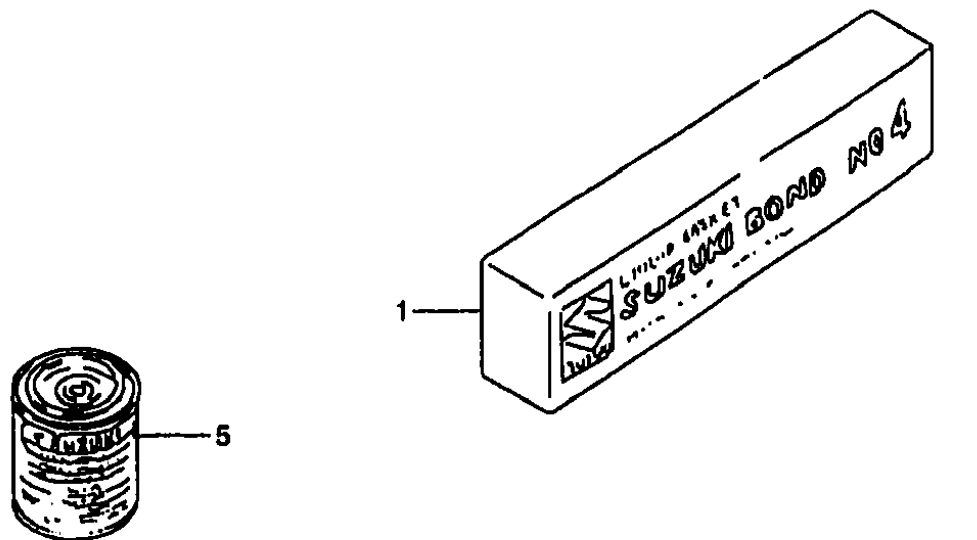




| Ref No | Part No | Description |
|--------|-----------------|-------------------------------------|
| 1 | 64110-04611 | Hub, Rear Wheel |
| 2 | 65312-04600-13L | Rim, Wheel Inner (4.50dx6) (silver) |
| 2 | 65312-04600 | Rim, Wheel Inner (4.50dx6) |
| 3 | 65313-04600-13L | Rim, Wheel Outer (4.50dx6) (silver) |
| 3 | 65313-04600 | Rim, Wheel Outer (4.50dx6) |
| 4 | 09305-08006 | Bush |
| 5 | 01550-08123 | Bolt |
| 6 | 08316-10083 | Nut |
| 7 | 64121-04600 | Drum, Rear Brake |
| 8 | 64123-04600 | Cover, Rear Brake |
| 9 | 64210-04601 | Panel, Rear Hub |
| 10 | 64251-04600 | Bolt, Panel Set |
| 11 | 08316-20083 | Nut |
| 12 | 64410-04200 | Shoe, Brake |
| 12 | 64410-04601 | Shoe, Brake |
| 12 | 64410-04201 | Shoe, Brake |
| 12 | 64400-04810 | Shoe Set, Brake |
| 12 | 64400-04811 | Shoe & Spring Set, Brake |
| 12 | 64400-04811 | Shoe & Spring Set, Brake |
| 13 | 09443-07001 | Spring (l:34) |
| 14 | 09280-10006 | O Ring (id:9.8, D:2.40) |
| 15 | 09160-10026 | Washer |
| 16 | 64441-04600 | Cam, Brake |
| 17 | 64451-04600 | Lever, Brake Cam |
| 18 | 09103-05005 | Bolt (5x25) |
| 19 | 08322-01053 | Washer |
| 20 | 08310-00053 | Nut |
| 21 | 64720-04600 | Housing, Axle Bearing |
| 22 | 08113-69057 | Bearing |
| 23 | 64729-04601 | Oil Seal |
| 24 | 64731-04600 | Spacer, Axle Bearing |
| 25 | 01550-08163 | Bolt, Axle Bearing |
| 26 | 01550-08203 | Bolt, Adjuster |
| 27 | 64741-04600 | Spacer, Axle Rh |
| 28 | 64751-04600 | Spacer, Axle Lh |
| 29 | 64711-04611 | Axle, Rear |
| 30 | 64723-02400 | Washer, Rear Axle |
| 31 | 08314-40163 | Nut |
| 32 | 04111-40308 | Cotter Pin |
| 33 | 54725-04200 | Cap |
| 34 | 64726-04200 | Holder, Cap |
| 35 | 61411-04600 | Adjuster, Chain |
| 36 | 08322-01063 | Washer |
| 37 | 08321-01063 | Lock Washer |
| 38 | 08310-00063 | Nut |
| 39 | 64511-01739 | Sprocket, Rear (nt:37) |
| 39 | 64511-01800 | Sprocket, Rear (nt:37) |
| 40 | 64611-04600 | Flange, Mounting |
| 41 | 64541-04600 | Bolt |
| 42 | 09169-08011 | Washer |
| 43 | 55100-04605 | Tire (145/70-6)(golden Boy) |
| 44 | 55200-04605 | Tube Assy, Wheel Inner |



| Ref No | Part No | Description |
|--------|-----------------|-------------------------------------|
| 1 | 64110-04611 | Hub, Rear Wheel |
| 2 | 65312-04600-13L | Rim, Wheel Inner (4.50dx6) (silver) |
| 3 | 65313-04600-13L | Rim, Wheel Outer (4.50dx6) (silver) |
| 4 | 09320-08065 | Bush |
| 5 | 01550-08123 | Bolt |
| 6 | 08316-10083 | Nut |
| 7 | 64121-04600 | Drum, Rear Brake |
| 8 | 64123-04600 | Cover, Rear Brake |
| 9 | 64210-04601 | Panel, Rear Brake Anchor |
| 10 | 64251-04600 | Bolt, Panel Set |
| 11 | 08316-20083 | Nut |
| 12 | 64400-04811 | Shoe & Spring Set, Brake |
| 13 | 09443-07025 | • Spring (l:35.8) |
| 14 | 09280-10013 | O Ring (id:9.6, D:2.40) |
| 15 | 09160-10121 | Washer |
| 16 | 64441-04600 | Cam, Brake |
| 17 | 64451-04600 | Lever, Brake Cam |
| 18 | 01550-05253 | Bolt |
| 19 | 08322-01053 | Washer |
| 20 | 08310-00053 | Nut |
| 21 | 64720-04600 | Housing, Axle Bearing |
| 22 | 08113-69057 | Bearing |
| 23 | 64729-04601 | Oil Seal |
| 24 | 64731-04600 | Spacer, Axle Bearing |
| 25 | 01550-08163 | Bolt, Axle Bearing |
| 26 | 01550-08203 | Bolt, Adjuster |
| 27 | 64741-04600 | Spacer, Axle Rh |
| 28 | 64751-04600 | Spacer, Axle Lh |
| 29 | 64711-04611 | Axle, Rear |
| 30 | 64723-02400 | Washer, Rear Axle |
| 31 | 08314-40163 | Nut |
| 32 | 04111-40308 | Cotter Pin |
| 33 | 54725-04200 | Cap, Wheel Center |
| 34 | 64726-04200 | Holder, Cap |
| 35 | 61411-04600 | Adjuster, Chain |
| 36 | 08322-01063 | Washer |
| 37 | 08321-01063 | Lock Washer |
| 38 | 08310-00063 | Nut |
| 39 | 64511-01800 | Sprocket, Rear (nt:37) |
| 40 | 64611-04600 | Flange, Mounting |
| 41 | 64541-04600 | Bolt |
| 42 | 09169-08011 | Washer |
| 43 | 55100-04605 | Tire (145/70-6)(golden Boy) |
| 44 | 55200-04605 | Tube Assy, Wheel Inner |



| Ref No | Part No | Description |
|--------|-----------------|-----------------------------------|
| 1 | 99000-31030 | Suzuki Bond, No.4 |
| 2 | 99000-32040 | Cement, Thread Lock |
| 3 | 99000-25030 | Grease, Super |
| 4 | 99000-32050 | Cement, Thread Lock Super (1342) |
| 4 | 99000-32030 | Cement, Thread Lock Super (1303b) |
| 4 | 99000-32110 | Cement, Thread Lock Super (1322) |
| 4 | 99000-32120 | Cement, Thread Lock Super (1324) |
| 4 | 99000-32020 | Cement, Thread Lock Super (1333b) |
| 5 | 99000-10109-019 | Paint (black) |
| 5 | 99000-10209-13L | Paint (bright Silver Metallic) |
| 5 | 99000-10109-14L | Paint (super White) |
| 5 | 99000-10109-19F | Paint (champion Blue) |
| 5 | 99000-10209-25Y | Paint (marble Science Yellow) |
| 5 | 99000-10109-291 | Paint (black Semi-gloss) |

